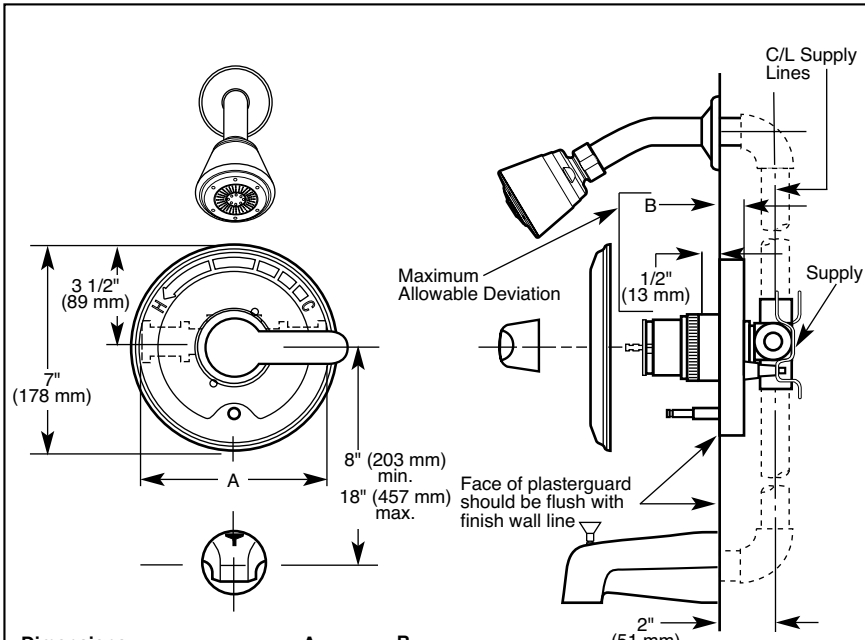


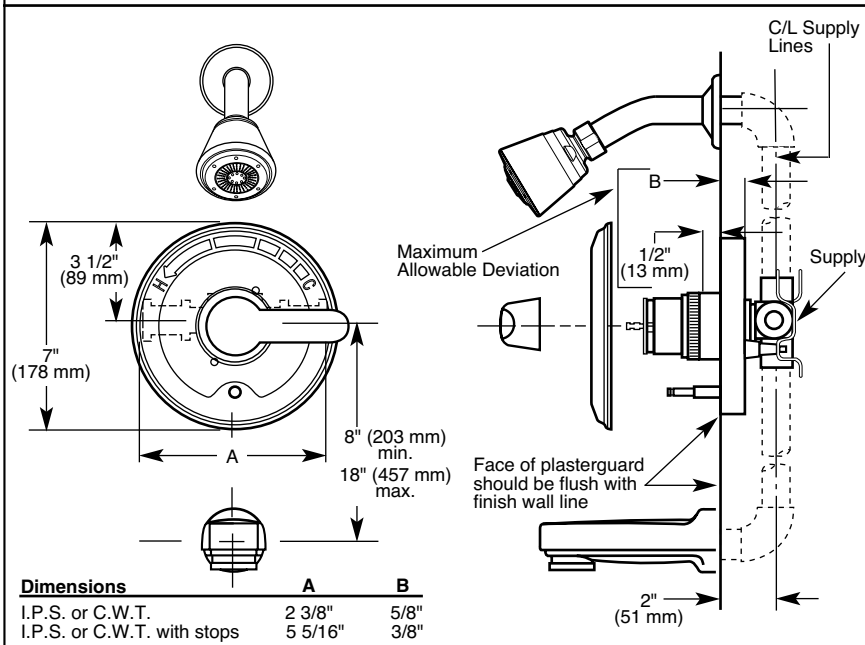
Submitted Model No.: \_\_\_\_\_

Specific Features: \_\_\_\_\_



Dimensions	A	B
I.P.S. or C.W.T.	2 3/8"	5/8"
I.P.S. or C.W.T. with stops	5 5/16"	3/8"

1303/1313/1343



Dimensions	A	B
I.P.S. or C.W.T.	2 3/8"	5/8"
I.P.S. or C.W.T. with stops	5 5/16"	3/8"

1343-NPS

# DELTA

## BATH MIXING VALVES

- Valve Only (1303 Series)
- Tub Only (1313 Series)
- Shower Only (1323 Series)
- Tub/Shower (1343 Series)
- Single Handle
- Monitor® with Scald-Guard® Valve
- Pressure Balance
- Temperature Only Controlled with Handle



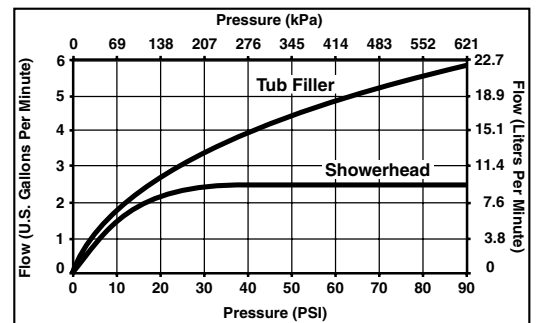
UL Listed to US and Canadian Safety Standards 21PL

### COMPLIES WITH:

- ASME A112.18.1M-1996
- ASSE 1016-1996
- CSA B125-93
- Showerhead GSA A-A-240
- Indicates ADA compliance to CABO/ANSI A117.1-1992
- ASSE Seal Authorized
- City of L.A. approved
- CSA Certified
- IAPMO Listed

### STANDARD SPECIFICATIONS:

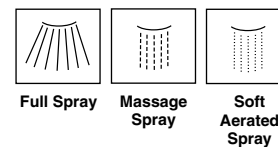
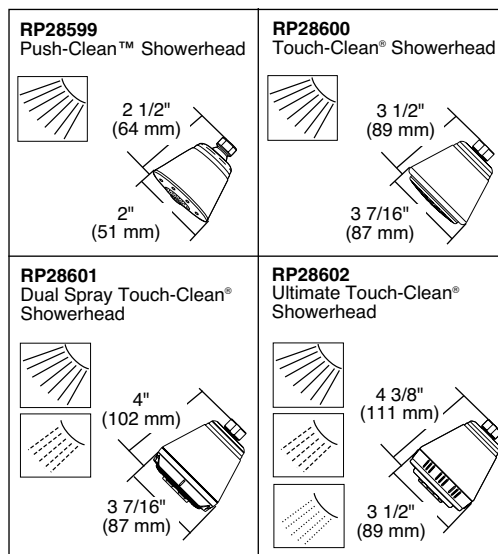
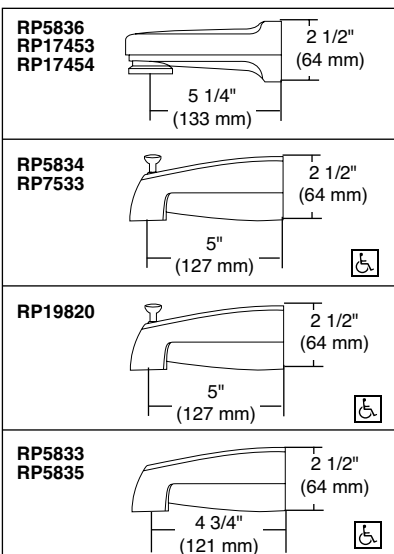
- Pressure balanced single handle bath mixing valve.
- Requires 1 1/2" (38 mm) wall cavity.
- Back-to-back installation capability.
- Solid brass fabricated body.
- Lever handle.
- Monitor® with Scald-Guard® valve. Maintains a balanced pressure of hot and cold water even when a valve is turned on or off elsewhere in the system.
- Temperature only controlled with handle.
- Field adjustable to limit handle rotation into hot water zone.
- 120° maximum handle rotation.
- All parts shall be replaceable from the front of the valve.



Standard Features	1303	1303-C	1303-CWS	1303-WS	1313	1313-C	1323	1323-C	1323-CWS	1323-WS	1343	1343-C	1343-CWS	1343-WS	1343-CNPS	1343-NPS
Washerless	◆	◆	◆	◆	◆	◆	◆	◆	◆	◆	◆	◆	◆	◆	◆	◆
Scald-Guard® Valve	◆	◆	◆	◆	◆	◆	◆	◆	◆	◆	◆	◆	◆	◆	◆	◆
Back-to-Back Installation	◆	◆	◆	◆	◆	◆	◆	◆	◆	◆	◆	◆	◆	◆	◆	◆
1/2" I.P.S. Inlets and Outlets	◆			◆	◆		◆			◆	◆			◆		◆
1/2" C.W.T. Sweat Inlets and Outlets		◆	◆			◆		◆	◆			◆	◆		◆	
Replaceable Cartridge	◆	◆	◆	◆	◆	◆	◆	◆	◆	◆	◆	◆	◆	◆	◆	◆
Adjustable Rotational Limit Stop	◆	◆	◆	◆	◆	◆	◆	◆	◆	◆	◆	◆	◆	◆	◆	◆
Metal Lever Handle	♿	♿	♿	♿	♿	♿	♿	♿	♿	♿	♿	♿	♿	♿	◆	◆
Metal Shower Arm and Flange							◆	◆	◆	◆	◆	◆	◆	◆	◆	◆
Non-Metallic Push-Clean™ Showerhead/1 Spray Pattern							◆	◆	◆	◆	◆	◆	◆	◆	◆	◆
Metal Over-the-Rim Tub Filler					◆	◆										
Non-Metallic Tub Filler w/Pull-Up Diverter											◆	◆	◆	◆		
Non-Metallic Tub Filler w/Pull-Down Diverter															◆	◆
Screwdriver Stops			◆	◆					◆	◆			◆	◆		
Chrome Finish	◆	◆	◆	◆	◆	◆	◆	◆	◆	◆	◆	◆	◆	◆	◆	◆

**Available Options for Field Conversion:**

- Screwdriver Stops. Order two RP5876s for I.P.S. or two RP6005s for C.W.T.
- Shower Arm. Order RP6023.
- Shower Flange. Order RP6025.
- Non-metallic Touch-Clean® showerhead/1 spray pattern. Order RP28600.
- Non-metallic Dual Spray Touch-Clean® showerhead/2 spray patterns. Order RP28601.
- Non-metallic Ultimate Touch-Clean® showerhead/3 spray patterns. Order RP28602.
- Brass shower arm diverter for hand shower. Order RP4239.
- Personal hand shower with 24" vertical bar, 60" hose. Order RP7245.
- Personal hand shower with 24" vertical bar, 60" hose, vacuum breaker and wall supply elbow. Order RPW1111HDF.
- Personal hand shower with 60" hose, vacuum breaker and wall supply elbow. Order RPW2222HDF.
- Metallic tub filler with pull-down diverter for 1/2" C.W.T. or 1/2" I.P.S. Order RP17454.
- Non-metallic tub filler with pull-down diverter for 1/2" C.W.T. or 1/2" I.P.S. Order RP17453.
- Non-metallic slip-on tub filler with pull-down diverter for 1/2" C.W.T. Order RP5836.
- Metallic tub filler with pull-up diverter for 1/2" C.W.T or 1/2" I.P.S. Order RP7533.
- Non-metallic tub filler with pull-up diverter for 1/2" C.W.T. or 1/2" I.P.S. Order RP5834.
- Non-metallic slip-on tub filler with pull-up diverter for 1/2" C.W.T. Order RP19820.
- Metallic over-the-rim tub filler for 1/2" I.P.S. Order RP5833.
- Metallic over-the-rim slip-on tub filler for 1/2" C.W.T. Order RP5835.
- Bath waste assemblies and bath accessories also available separately.



Indianapolis, Indiana 46280  
A Division of Masco Corporation of Indiana  
© 2001 Masco Corporation of Indiana