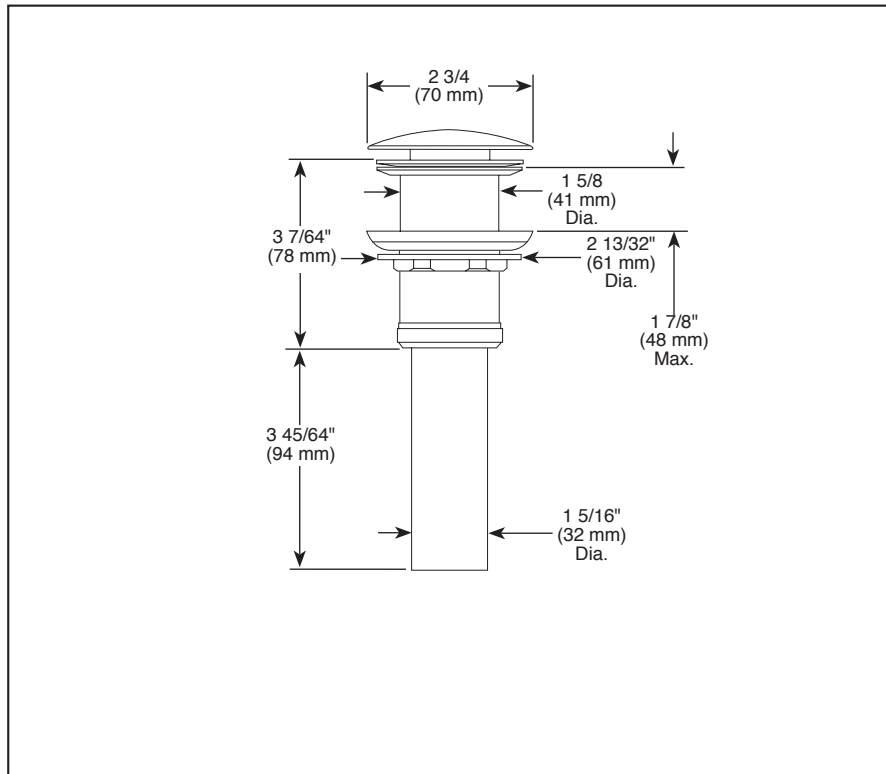


Submitted Model No.: \_\_\_\_\_  
 Specific Features: \_\_\_\_\_



▲ Designate Proper Finish Suffix



## PUSH POP ASSEMBLY

■ Push Pop Assembly Less Overflow Holes

### STANDARD SPECIFICATIONS:

- All metal construction push pop
- Tailpiece chrome plated for all finishes
- For use with sinks without overflow

### WARRANTY

- Lifetime limited warranty on parts (other than electronic parts and batteries) and finishes; or, for commercial users, for 5 years from date of purchase.
- 5 year limited warranty on electronic parts (other than batteries); or, for commercial users, for 1 year from the date of purchase. No warranty is provided on batteries.

### COMPLIES WITH:

- ASME A112.18.2 / CSA B125.2

