

# Exposed TECK® Flush Valve

**TECK®**  
COMMERCIAL

**DELTA**

## Specification: (example)

### (FOR TOP INLET URINAL FIXTURE)

- Quiet action, TECK® exposed diaphragm flush valve
- Chloramine resistant diaphragm
- Forged brass diaphragm retainer
- Renewable seat
- Polished chrome plated finish
- **External water conserving flush volume adjustment**, factory set at 60 PSI to 1.9 litre (0.50 US gal.)
- Vandal resistant cover screw
- Metal "non hold open" handle
- **1" FIP/3/4" copper sweat inlet adaptor** angle check stop with protecting cap
- Adjustable 121mm (4-3/4") plus or minus 11mm (7/16") inlet/valve outlet centers
- Vacuum breaker
- Cover tube and S/S wall flange, spud flange and spud nut

### FOR 3/4" TOP INLET URINAL FIXTURE

- ❑ **81T231**  
As above
- ❑ **81T231-38**  
Same as 81T231, but set at 60 PSI to 3.8 litre (1.0 US gal.), **Not field adjustable.**
- ❑ **81T231-19**  
Same as 81T231, **Not field adjustable.**
- ❑ **81T231-05**  
Same as 81T231, but set at 60 PSI to 0.5 litre (0.13 US gal.), **Not field adjustable.**

### FOR 1-1/4" TOP INLET URINAL FIXTURE (with 1" copper inlet adaptor)

- ❑ **81T291**  
As above

### OPTIONS AVAILABLE (for Field Conversion):

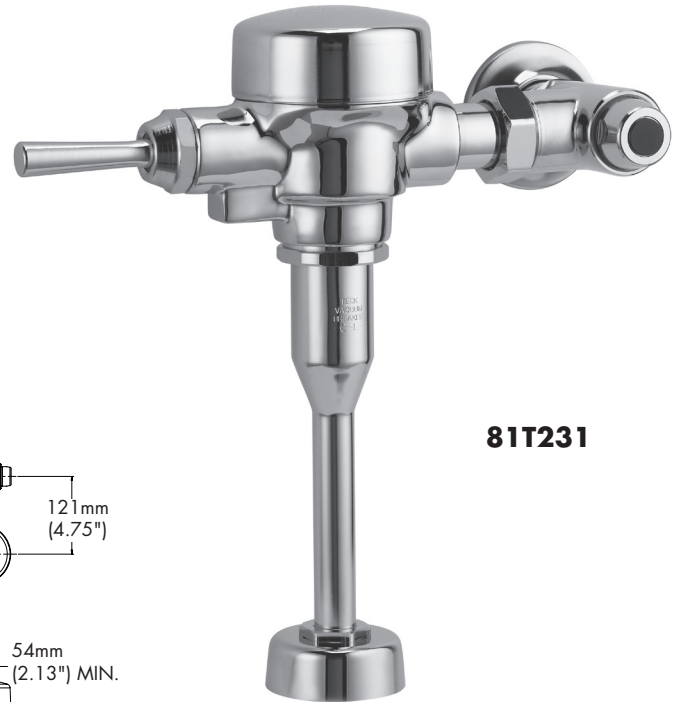
- ❑ **060253A**  
3/4" x 19-1/2" VB Tube (for 81T231)



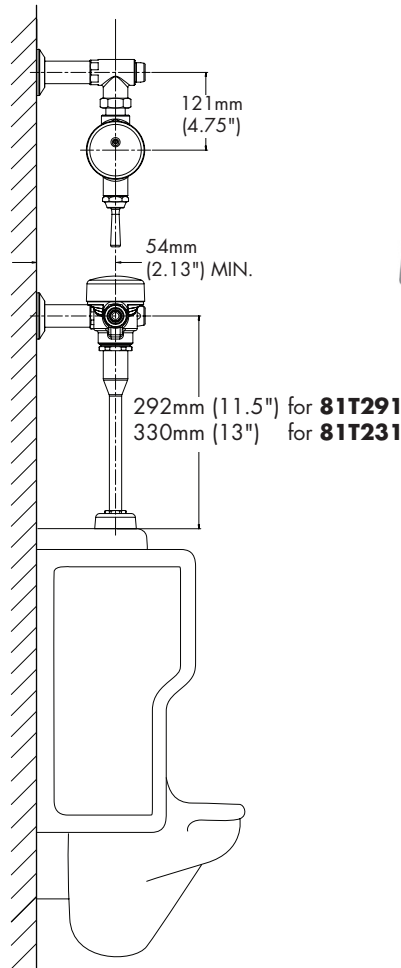
### Approvals:

- CSA certified
- Complies to ASSE 1037
- ADA compliant and meets Handicapped Accessibility Standard ASME A117.1 of less than 5 lbs. operating force.

(Contact Delta Representative for State and/or Local Approvals.)



**81T231**



### Engineer/Architect Approval

Model Specified:

Approval:

Date:

Note: Measurements may vary  $\pm$  6mm (0.25")

Note: For high and low pressure applications, please see page FEA-81T High Water Pressure note for more details. Verify flow requirements with bowl manufacturer.