



FOLDING SHOWER SEAT

FOLDING SEAT INSTALLATION INSTRUCTIONS

IMPORTANT

DreamLine® reserves the right to alter, modify or redesign products at any time without prior notice. For the latest up-to-date technical drawings, manuals or additional details please refer to your model's web page on DreamLine.com

Model# SHST-02-TN



Please read these instructions carefully before installing. If you have any questions regarding installation, please contact our technical support specialists Monday through Friday 8:00 AM – 7:00 PM EST at Phone: [1-866-731-2244](tel:1-866-731-2244), Fax: [1-866-857-3638](tel:1-866-857-3638) or e-mail our technical support group at Support@DreamLine.com

For more information about DreamLine® products please visit DreamLine.com

Preparation

1. Prior to installation, examine all boxes and packages for shipping damage and compare the piece count with your packing slip. After opening all boxes and packages read this introduction carefully. Check that all of the needed parts are included in the package by checking off the components on the "Detailed Diagram of Shower Door Components". If the unit has been damaged, has a finishing defect, or has missing parts, please contact our customer support department within **3 business days** of the delivery date. Please note that **DreamLine® will not replace any damaged products or missing parts free of charge after 3 business days or if the product has been installed.** Feel free to contact DreamLine® if you have any questions, and please provide an order number, job name or other proof of purchase to help us identify your original order.
2. If this unit is going to be installed in a new construction, please, install all of the required plumbing and drainage before installing the shower. **Use a competent and licensed (if required by local code) plumber for all plumbing installation.**
3. **Please note that you should consult your local building codes with questions about installation compliance standards. Building and plumbing codes may vary by location, and DreamLine® is not responsible for code compliance standards for your project and will not accept any returns.**

ATTENTION!

Additional wall support is required. This shower seat MUST NOT be mounted to sheetrock, drywall, plaster, fiberglass, acrylic or other similar wall surfaces without appropriate and required wood or concrete backing support material.

Installation of this wall mounted folding shower seat requires that additional wood framing be in place prior to installation. We recommend using 2" x 12" or 2" x 6" wood blocking installed between the studs starting from the floor plate up to at least 24 inches above the shower floor. If this additional wood framing support is not present, you may need to remove and replace a portion of the existing shower wall to install the wood blocking. If the seat is to be mounted to an interior wall, it may be easier to gain access to the studs from the adjoining room to install this additional wood framing.

Additionally, the supplied wall anchors are ONLY to be used for installation into concrete or cinder block.

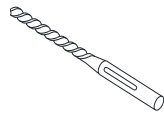
Max capacity:

250 Lbs. when installing into required wood reinforcement or concrete behind the finished wall.

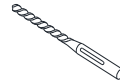
Tools Required



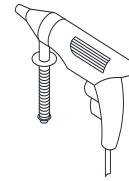
Phillips
Screwdriver



Drill bit ($\varnothing = 5/16''$)
for Concrete
Installation



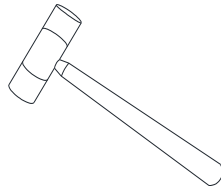
Drill bit ($\varnothing = 7/32''$)
for Wood
Installation



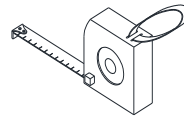
Power Drill



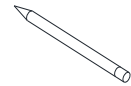
Level



Hammer



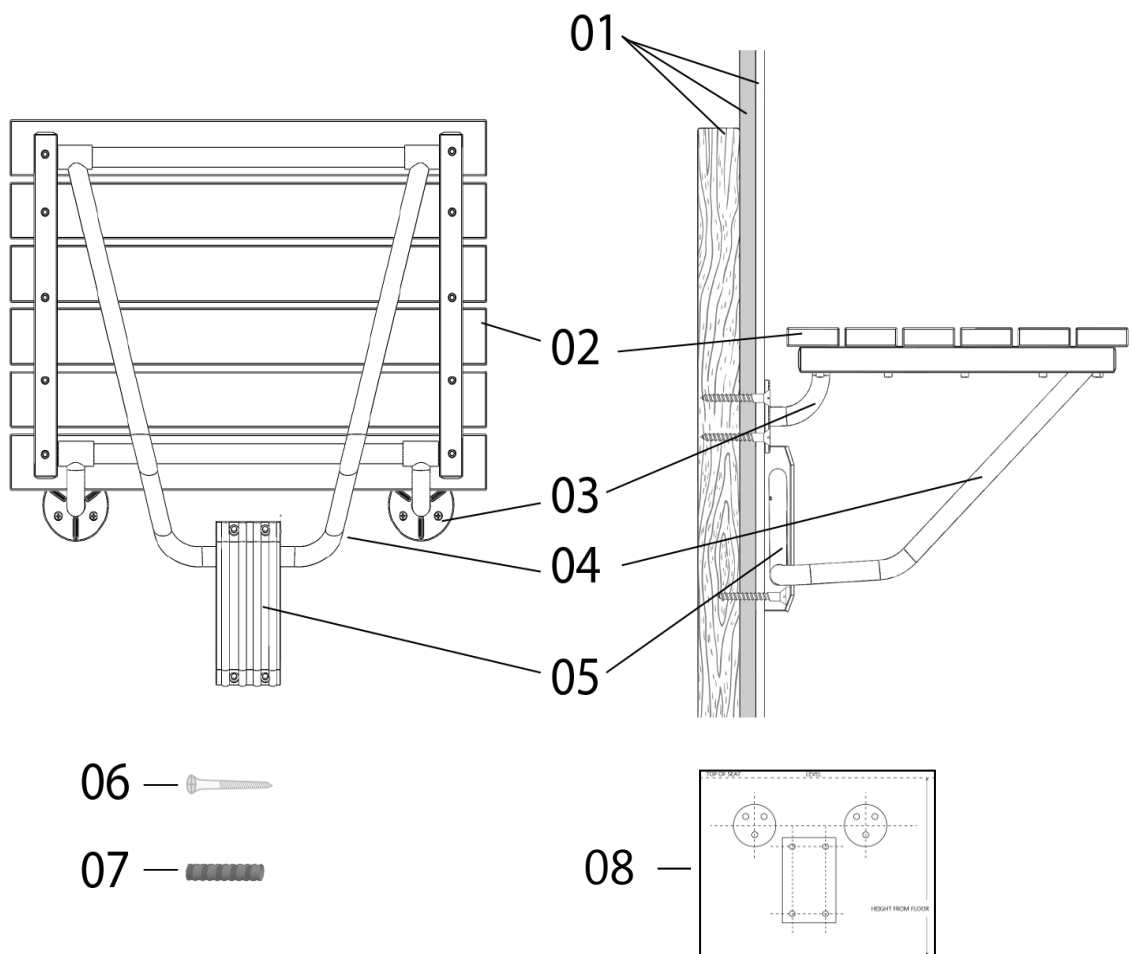
Tape
Measure



Pencil

Packing list:

Seat component set	1
Guide bracket	1
Countersunk screw ST5 x 70mm	10
5/16" wall anchors (for use with concrete only)	10
Installation template	1



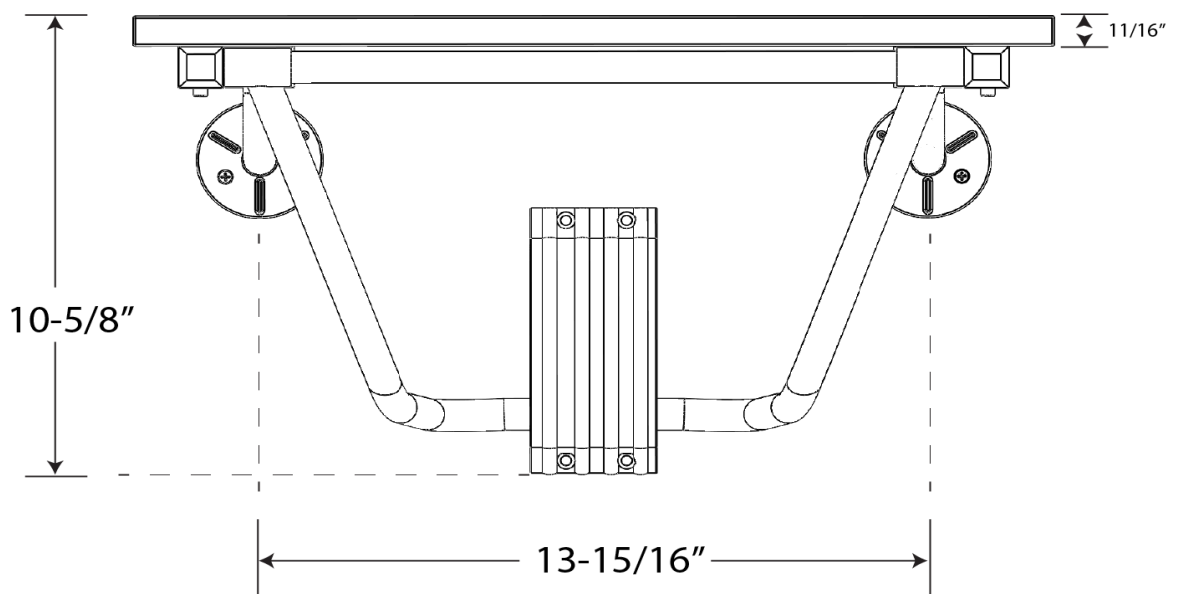
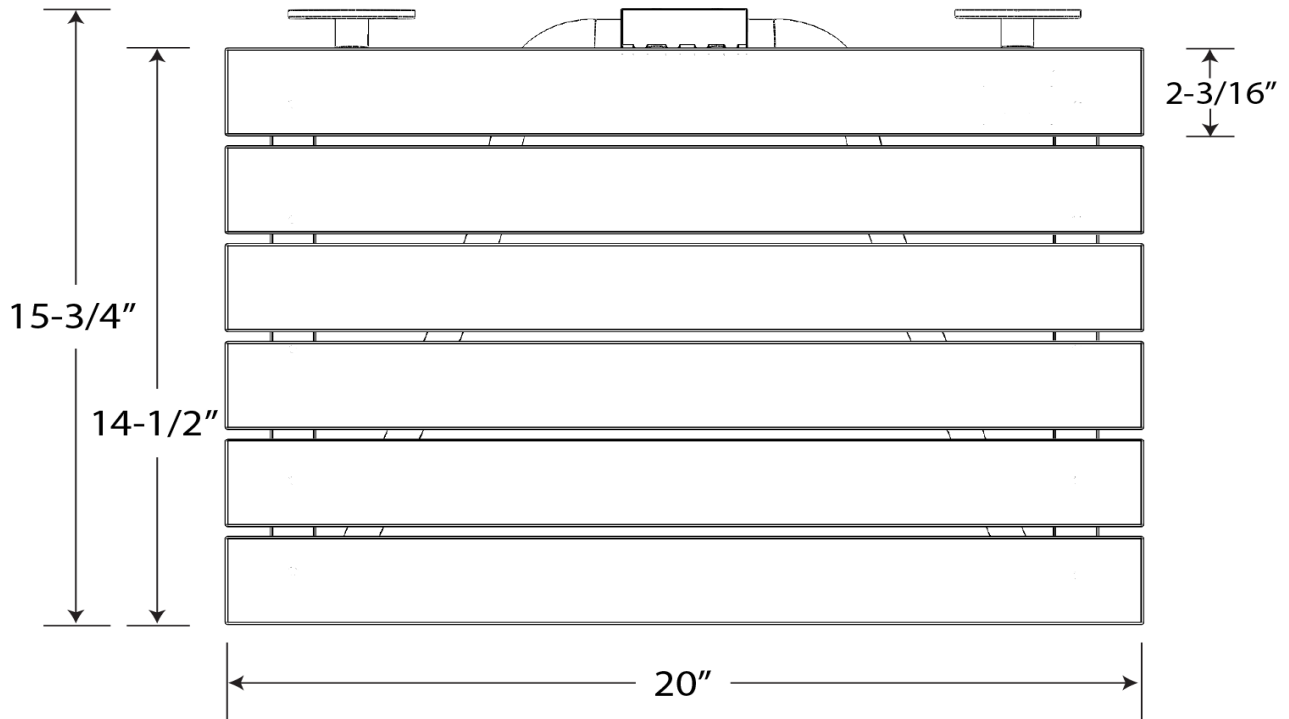
01	Wall (tile, drywall, wood reinforcement)	05	Guide bracket
02	Seat	06	Countersunk screw ST5 x 70mm
03	Left and Right Support brackets	07	5/16" wall anchors (for concrete only)
04	Exterior support bracket	08	Installation Template

NOTE: Unpack your unit carefully and inspect it. Identify all parts using the detailed diagram and packing list in this manual as a reference. Before discarding the carton, check for small hardware bags that may have fallen to the bottom of the box. If any parts are damaged or missing, please

contact DreamLine® for replacement. The shipping boxes may contain extra parts not used in your model configuration.

NOTE: Retain these installation instructions for future reference.

Folding Seat Measurements



Folding Seat Installation Instruction

NOTE: Additional reinforcement must be present behind the mounting wall prior to installation. This seat has a maximum weight limit of 250 lbs. when installed properly.

1. Place the **Installation template** against the wall at the desired height. Align your level along the line marking the top of the seat (see Fig 1) and adjust the template so that it is level. It is recommended to mount the seat approximately 17"-19" above the floor, however the mounting height can vary slightly depending on personal needs or preference. Once leveled, secure the template to the wall using painter's tape (or similar) and mark all 10 holes for drilling.

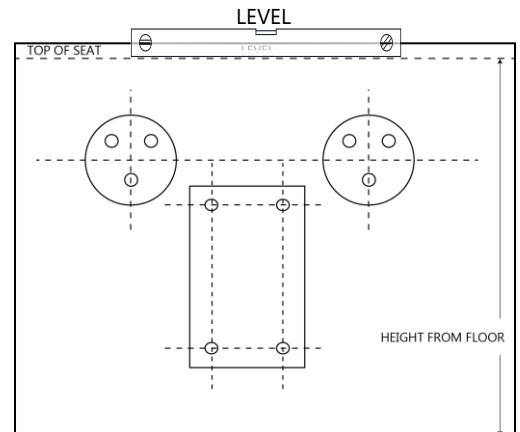


Figure 1

2. **The folding shower seat can be installed into either wood reinforcement or concrete behind the finished wall. See installation options below:**

FOR installation into wood reinforcement behind the finished wall: Drill the holes using a 7/32" diameter drill bit. For installation into wood reinforcement, the holes need to be drilled through the tile and drywall only. **Do not** drill through the wood framing; let the screws bore into the wood.

FOR installation into concrete behind the finished wall: Use the supplied template to mark the holes at the desired height. Use a 5/16" diameter drill bit and install the supplied wall anchors flush to the finished wall. Exercise caution when using a hammer to install the wall anchors so as not to damage the tile.

3. Hold the seat to the wall in the folded (up) position (see Fig. 2), align the brackets to the holes and attach the **Left and right support brackets (part#03)** using 6 of the **ST5 x 70mm screws (part# 06)**

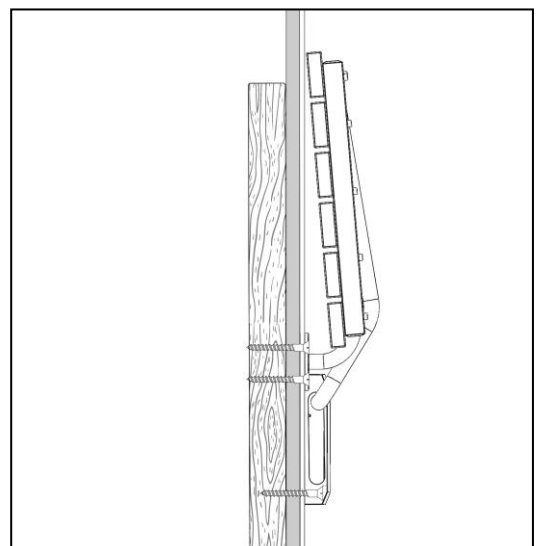


Figure 2

- Adjust the position of the **Guide bracket (part # 05)** on the wall to align with your holes. Attach the **Guide bracket (part #05)** to the wall using 4 of the **ST5 x 70mm Screws (06)**. Fully tighten all screws and test the operation of the seat. The seat is now ready for use. (See Fig. 3)

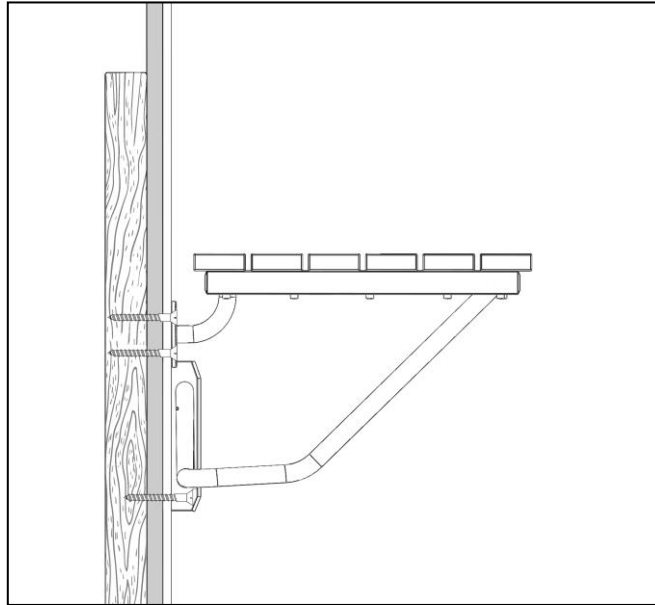


Figure 3

Product Maintenance

BASES and BACKWALLS: To ensure long lasting life for your acrylic back walls: wipe them off after each use with a soft cloth. To clean the acrylic back walls use non-abrasive sprays or cream based cleaners. Never use abrasive cleansers, metal brushes or scrapers that could scratch or dull the surface.

GLASS: To ensure long lasting life for your glass shower products: wipe them off after each use with a soft cloth. Rinse and wipe off the glass using either a soft cloth or a squeegee to prevent soap buildup and water spots. Never use abrasive cleaners or cleaning products that contain scouring agents to prevent scratching the surface. Never use bristle brushes or abrasive sponges.

HARDWARE: To ensure a long lasting finish: wipe off the metal parts after each use with a soft cloth. Do not use abrasive cleaners or cleaning products containing ammonia, bleach or acid. If accidentally used, rinse the surface as soon as possible to prevent finish peeling or corrosion. After cleaning the shiny finishes, rinse thoroughly and wipe dry with soft cloth. Clean stainless steel surfaces at least once a week. When applying stainless steel cleaner or polish, work with (not across) the grain. Never use abrasive sponge or cloth, steel wool or wired brushes.

SHOWER SEATS: Use a mild soap and water mixture and a soft brush or cloth as necessary. Never use abrasive cleaners or cleaning products that contain scouring agents that may scratch the surface. The use of wire brushes or steel wool are also not recommended.



TEL: [866-731-2244](tel:866-731-2244)

FAX: [866-857-3638](tel:866-857-3638)

DREAMLINE.COM

For more information on [DreamLine® Shower Doors](http://DreamLine.com) and [Enclosures](http://DreamLine.com) please visit DreamLine.com