



2100 South Clearwater Drive
Des Plaines, IL 60018
Phone: 800-566-2100
Fax: 847-803-5454
www.geberitnorthamerica.com

ROUGH-IN

FITTING NO.

151.522.XX.1

SUBMITTED MODEL NO.

FOR TECHNICAL ASSISTANCE
1-800-TEC-TRUE (1-800-832-8783)

BY: SID DATE: 10-25-12

CHK: REV:

SUBMITTED AS SHOWN

SUBMITTED AS NOTED

SEE ATTACHED FOR
SUBMITTED MODIFICATION

JOB NAME

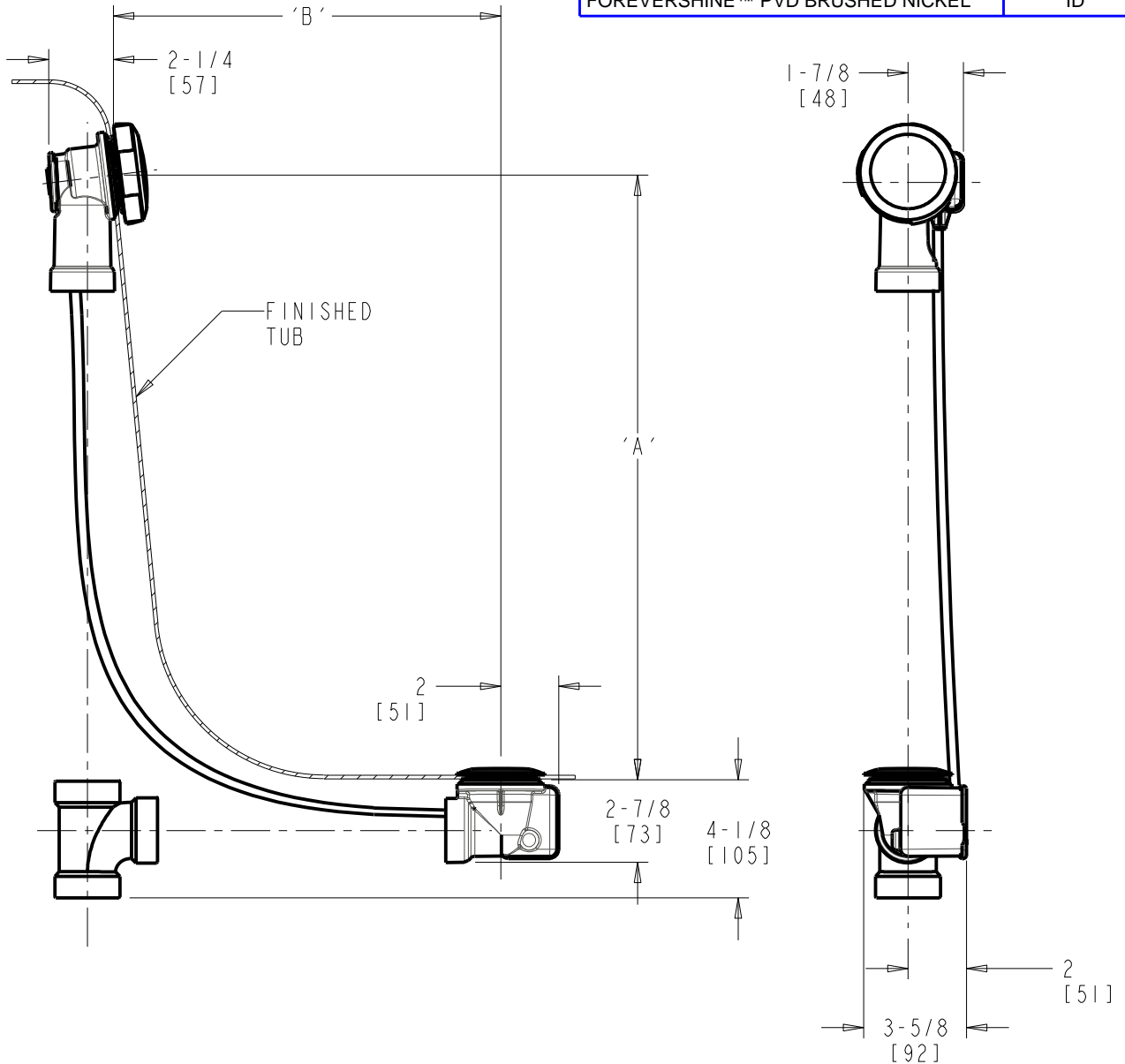
ITEM NO.

FINISH DESCRIPTION

FINISH CODE
(.XX.)

POLISHED CHROME	21
HARD COAT OIL RUBBED BRONZE	HM
FOREVERSHINE™ PVD POLISHED NICKEL	IB
FOREVERSHINE™ PVD BRUSHED NICKEL	ID

NOTE:
'A' + 'B' NOT TO EXCEED 27"



DIMENSIONS ARE IN INCHES AND [MILLIMETERS].

TECHNICAL DATA

- TURN CONTROL CABLE-OPERATED BATH WASTE AND OVERFLOW
- WITH DECORATIVE TRIM KIT
- FITS MOST TUBS 17"-24" DEEP
- 1-1/2" ABS SCHEDULE 40 (NOT INCLUDED)
- FITS TUB WALL THICKNESS 1/16" TO 5/16"
- 2" DIA. DRAIN HOLE OPENING
- 2" TO 2-1/2" DIA. OVERFLOW HOLE OPENING

- METAL TURN HANDLE & PLUNGER;
FINISHED AS SPECIFIED ABOVE
- STAINLESS STEEL STRAINER
- 27" TEFLON® COATED STAINLESS STEEL CABLE
- INSTALLATION TOOL INCLUDED
- ASME A112.18.2/CSA B125.2 COMPLIANT

ROUGHING IN DIMENSIONS MAY VARY AND ARE SUBJECT TO CHANGE. NO RESPONSIBILITY IS ASSUMED FOR USE OF SUPERCEDED OR VOIDED DATA.