



GERBER

VITREOUS CHINA

URINAL
27-780

LAVATORIES

TOILETS

BIDETS / URINALS

CAST IRON

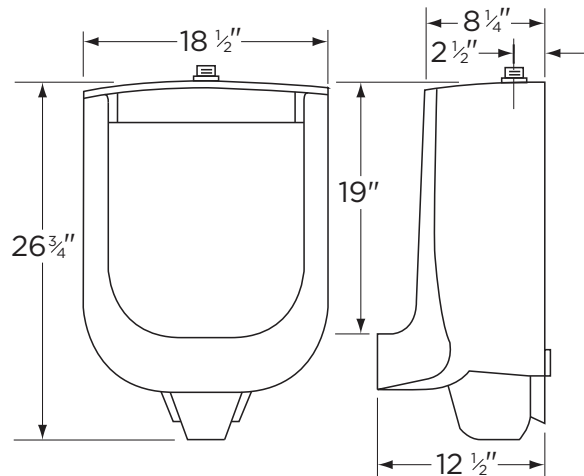
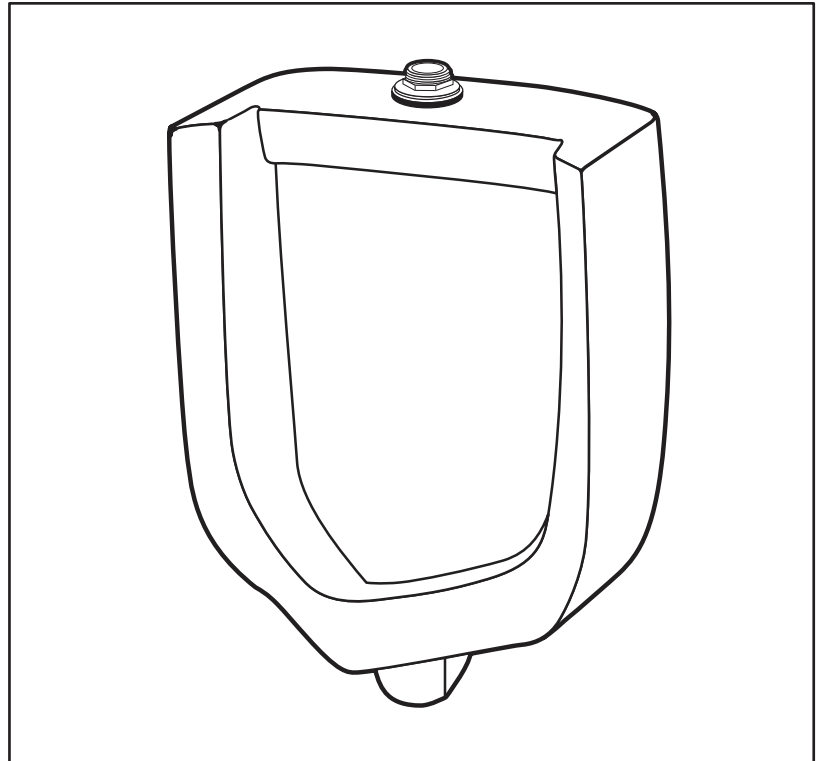
MONITOR™ Washout Wall Hung

Features:

- Low Consumption 1.0 gpf (3.8 Lpf)
- Commercial Size
- Integral Flush Spreader
- Extended Shields
- Dual Hangers
- For Exposed Flushometer (top spud)
- 1" x 3/4" Inlet
- 2" S.P.S. Female Outlet Connection Supplied

Dimensions:

Height 26 3/4"
 Width 18 1/2"
 Depth 12 1/2"
 Inlet 3/4"
 Outlet 2"
 Shipping Weight 58 lbs



RECOMMENDED STATIC WATER PRESSURE FOR PLUMBING FIXTURES IS 20 - 80 PSI STATIC PER ANSI STANDARDS A112.19.2M APPENDIX B.

THIS FIXTURE QUALIFIES ACCORDING TO ASME TEST PROCEDURES AS A LOW CONSUMPTION URINAL WITH AN AVERAGE CONSUMPTION OF 1.0 gpf (3.8 Lpf) OR LESS.



www.gerberonline.com

Job Name	
Date	
Model Specified	
Quantity	
Customer	
Contractor	
Architect/engineer	

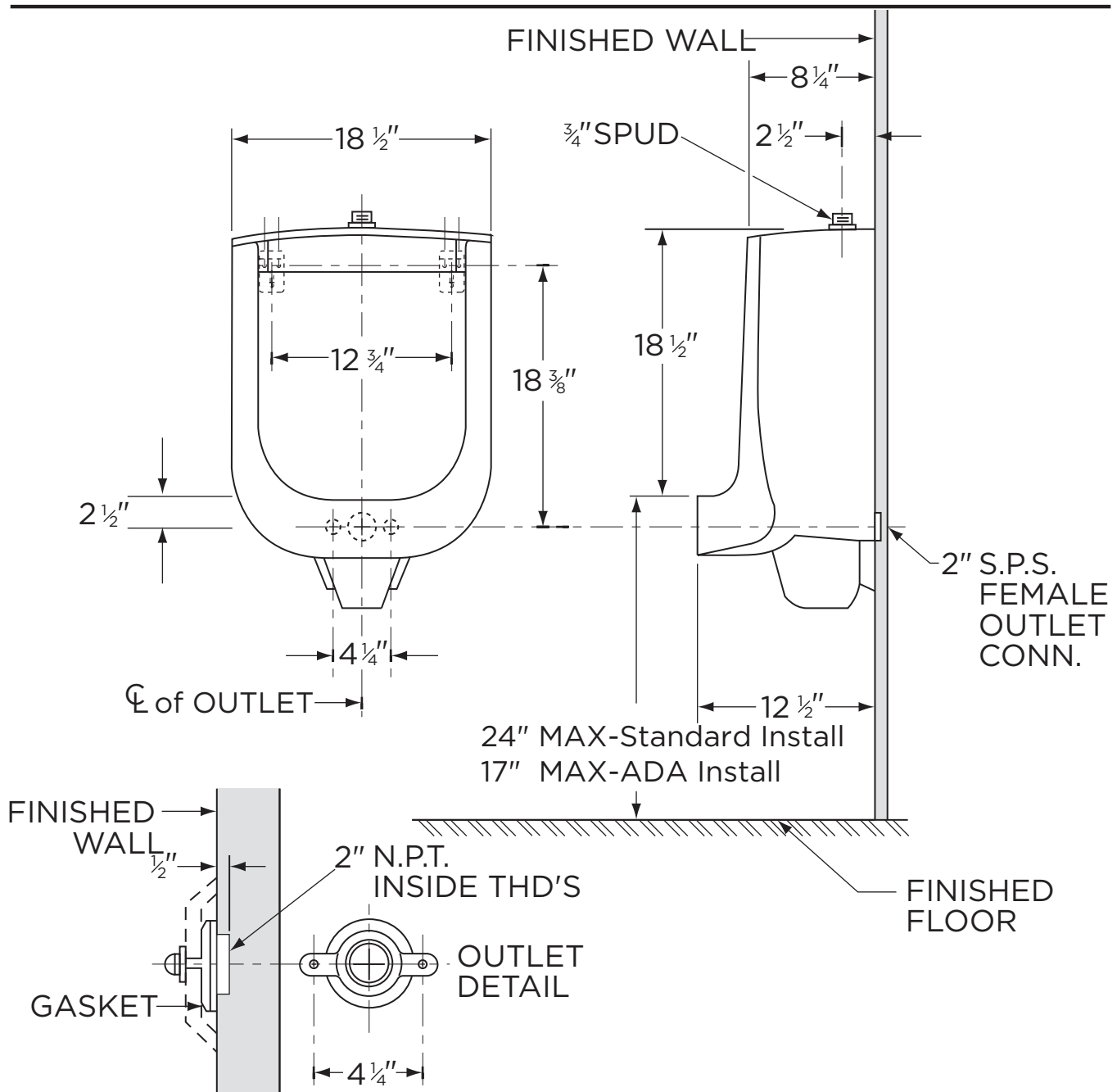


GERBER

MONITOR™

27-780

Low Consumption Washout Top Spud Wall Hung Urinal



NOTES:

All dimensions are in inches. Use flush valve MFR'S recommended rough-in.

Recommended static water pressure for plumbing fixtures is 20-80 psi static per ANSI standards A112.19.2 Appendix B.

Illustrations may not be drawn to scale.

PLUMBERS NOTE:

Provide suitable reinforcement for all wall supports.

IMPORTANT:

Dimensions of fixtures are nominal and may vary within the range of tolerances established by ASME Standard A 112.19.2.

THIS FIXTURE QUALIFIES ACCORDING TO ASME TEST PROCEDURES AS A LOW CONSUMPTION URINAL WITH AN AVERAGE CONSUMPTION OF 1.0 gpf (3.8 Lpf) OR LESS.