



GERBER

VITREOUS CHINA
TOILET
HE-20-004

LAVATORIES

TOILETS

BIDETS / URINALS

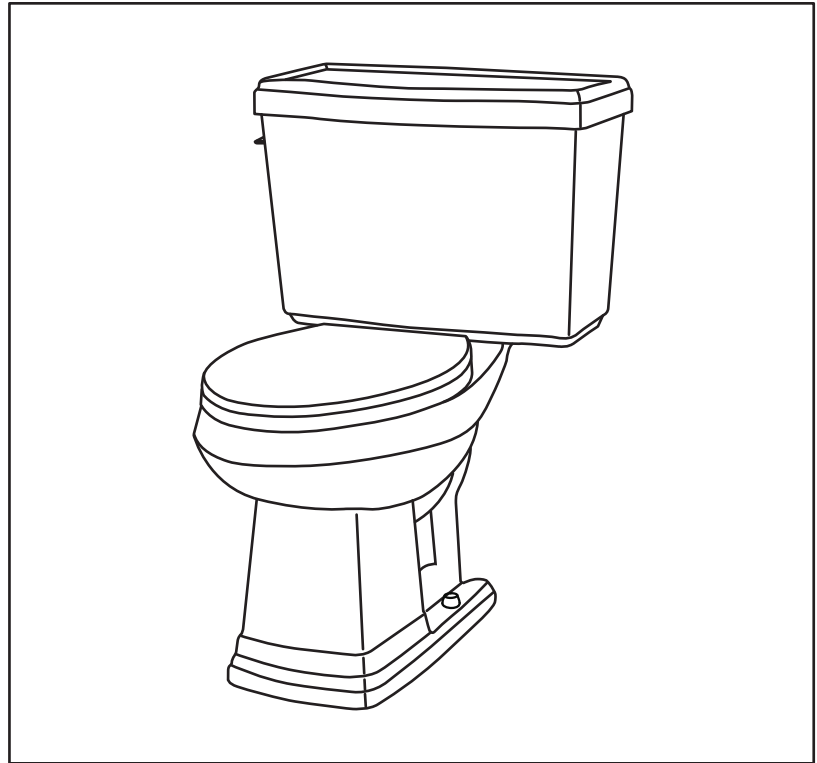
CAST IRON

ALLERTON™ 1.28 Elongated Toilet

12" Rough-in

Features:

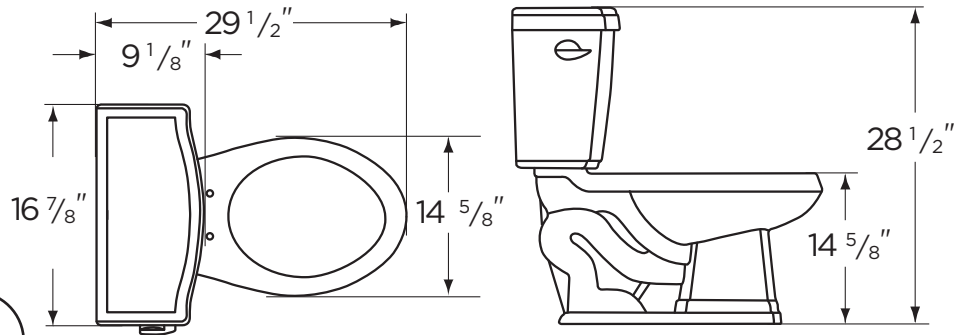
- 1.28 gpf/4.8 Lpf high efficiency toilet
- Elongated bowl
- 3" flush valve
- Dual-fed siphon jet
- Fluidmaster® fill valve
- 2" fully glazed trapway
- 12" rough-in tank
- White, biscuit and bone
- Toilet seat not included



Dimensions:

- Height28¹/₂"
- Width16⁷/₈"
- Depth29¹/₂"
- Rough-in12"
- Water Surface from Rim6"
- Trapway2"
- Water Surface10¹/₂" x 7¹/₄"
- Water Seal2¹/₈"
- Shipping Weight83 lbs

Specifications: Bowl—#HE-21-572 Elongated Tank — #HE-28-580
Seat not included



THIS FIXTURE QUALIFIES
ACCORDING TO ASME TEST
PROCEDURES AS A HIGH
EFFICIENCY WATER CLOSET
WITH AN AVERAGE CONSUMPTION
OF 1.28 gpf (4.8 Lpf) OR LESS.

HIGH EFFICIENCY TOILET
HET

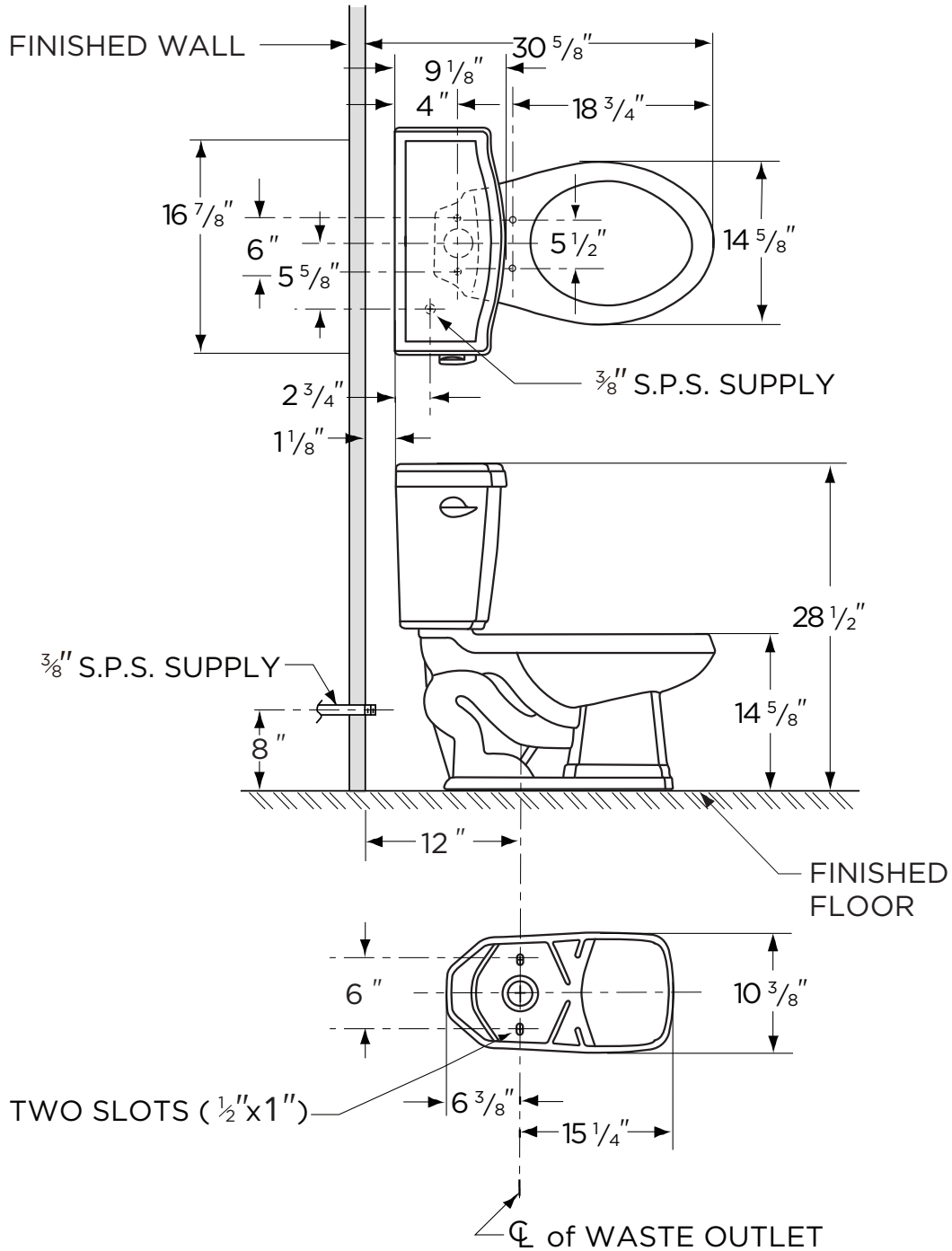
www.gerberonline.com

Job Name	
Date	
Model Specified	
Quantity	
Customer	
Contractor	
Architect/engineer	



GERBER

1.28 gpf (4.8 Lpf) Allerton™ 1.28 Toilet
HE-20-004
Elongated, 12" Rough-in
(Bowl HE-21-572 with Tank HE-28-580)



NOTES:
All dimensions are in inches.
Illustrations may not be drawn to scale.

IMPORTANT:
Dimensions of fixtures are nominal and may vary within the range of tolerances established by ASME Standard A 112.19.2.

THIS FIXTURE QUALIFIES ACCORDING TO ASME TEST PROCEDURES AS A HIGH EFFICIENCY WATER CLOSET WITH AN AVERAGE CONSUMPTION OF 1.28 gpf (4.8 Lpf) OR LESS.