



GERBER

www.gerberonline.com

MONITOR™ PINT Washout Top Spud Urinal (Full Stall)

Features:

□ HE-27-800

- High Efficiency Pint Urinal 0.125GPF, 0.5GPF, and 1.0GPF (0.5LPF, 1.9LPF, and 3.8LPF) when used with the appropriate flush valve.
- Elongated Rim (14" for finished wall)
- Washout flushing system
- Dual Wall Hangers included
- 3/4" Inlet Top Spud for Exposed Flushometer
- Outlet Connection Threaded 2" Inside (NPTF)
- ADA Compliant
- Available October 2016

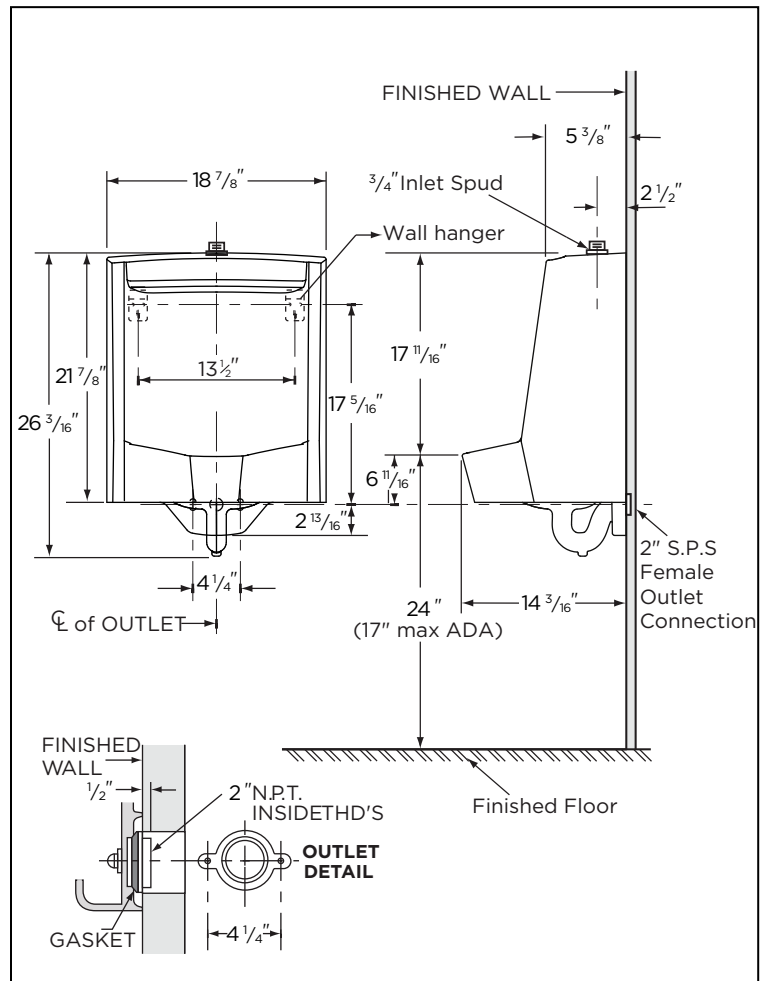


Replacement items sold separately:

- Outlet (99-160)
- Inlet Spud (99-275)
- Wall hangers (GA715017-GEG1)
- Strainer (GA715018-GEG1)

Technical Information:

Configuration	Wall Mount
Water per flush	0.125GPF, 0.5GPF, and 1.0GPF (0.5LPF, 1.9LPF, and 3.8LPF)
Outlet	2"
S/B Inlet Spud	3/4"
Height	26 3/16"
Width	18 7/8"
Depth	14 3/16"
Product Weight	59 LBS



Available Colors:

- White only

Warranty:

- Limited Lifetime Warranty



HIGH EFFICIENCY URINAL

HEU



NOTES:

All dimensions are in inches.
 Illustrations may not be drawn to scale.
 Urinal will comply with the Americans with Disabilities Act when installed per the requirements of the Accessibility Guidelines, Section 605 Urinal of the Act.

IMPORTANT:

Dimensions of fixtures are nominal and may vary within the range of tolerances established by ASME Standard A 112.19.2.