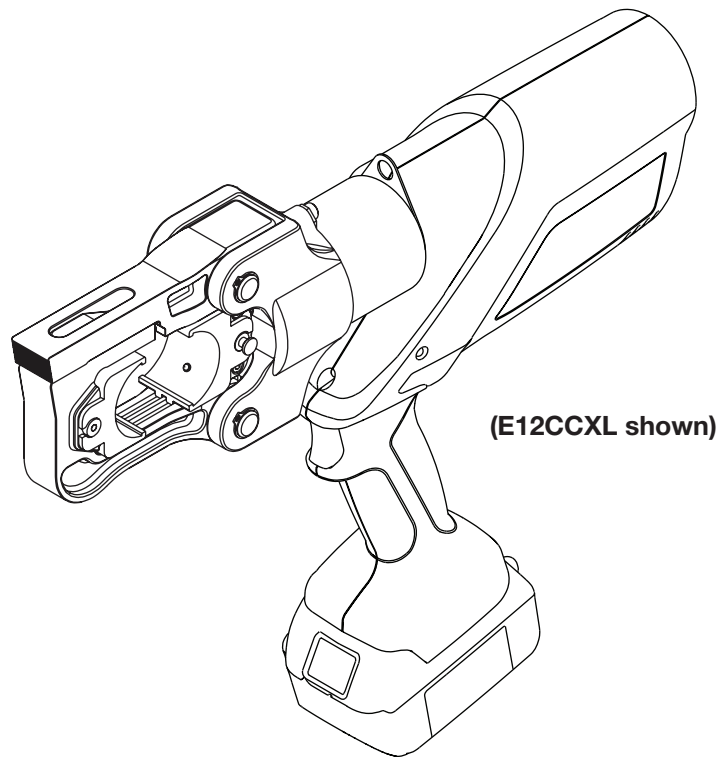


SERVICE MANUAL



GATOR[®] **Battery-powered Pistol Grip Tools**



Read and understand all of the instructions and safety information in this manual before operating or servicing this tool.

Register this product at www.greenlee.com

Table of Contents

Safety	2
Purpose of this Manual	2
Other Publications	2
Main Illustration—All Tools	4
Main Parts List—All Tools.....	5
Motor Illustration and Parts List—All Tools	6
Release Lever Illustration and Parts List—All Tools	6
Pump Illustration and Parts List	
ECCXL, ESG45L, ESG50L, ESC85L, EK06ATL, EK06ATCL, EK06FTL	7
E12CCXL, EK12IDL, EK1230L, EK1230CL, EK1240L, EK1240CL, EK1240KL, ESC105L, EK1550L, EK1550FTL, ESG55L	8
ESP710L, LS60L.....	9
Relief Valve Illustration and Parts List—All Tools	10
Piston Pump Illustration and Parts List	
All Tools Except LS60L	10
LS60L.....	10
Head and Ram Illustration and Parts List	
ECCXL	11
EK06ATL, EK06ATCL	12
EK06FTL	13
E12CCXL	14–15
EK12IDL.....	16
Indenter and Head Replacement	17
EK1230L, EK1230CL	18
EK1240L, EK1240CL	19
EK1240KL	20
EK1550L	21
EK1550FTL	22
ESG45L.....	23
ESG50L.....	24
ESG55L.....	25
ESC85L.....	26
ESC105L.....	27
ESP710L	28
LS60L.....	29
Accessories—ECCXL and E12CCXL	30

Safety

Safety is essential in the use and maintenance of Greenlee tools and equipment. This manual and any markings on the tool provide information for avoiding hazards and unsafe practices related to the use of this tool. Observe all of the safety information provided.

Purpose of this Manual

This manual is intended to familiarize authorized Greenlee service personnel with the service parts for the Greenlee Battery-powered Pistol Grip Tools listed on this page.

Keep this manual available to all personnel.

Replacement manuals are available upon request at no charge at www.greenlee.com.

Other Publications

Operation Manuals

- ECCXL 52047661
- EK06ATL, EK06ATCL 52047666
- EK06FTL 52047667
- E12CCXL 52047655
- EK12IDL 52047656
- EK1230L, EK1230CL 52047657
- EK1240L, EK1240CL 52047660
- EK1240KL 52047658
- EK1550L 52049398
- EK1550FTL 52060911
- ESG45L 52056895
- ESG50L 52056895
- ESG55L 52056895
- ESC85L 52056895
- ESC105L 52056895
- ESP710L 52047674
- LS60L 52047673



Do not discard this product or throw away!

For recycling information, go to www.greenlee.com.

All specifications are nominal and may change as design improvements occur. Greenlee Textron Inc. shall not be liable for damages resulting from misapplication or misuse of its products. GATOR is a registered trademark of Greenlee Textron Inc.

KEEP THIS MANUAL

IMPORTANT SAFETY INFORMATION



SAFETY ALERT SYMBOL

This symbol is used to call your attention to hazards or unsafe practices which could result in an injury or property damage. The signal word, defined below, indicates the severity of the hazard. The message after the signal word provides information for preventing or avoiding the hazard.

⚠ DANGER

Immediate hazards which, if not avoided, **WILL** result in severe injury or death.

⚠ WARNING

Hazards which, if not avoided, **COULD** result in severe injury or death.

⚠ CAUTION

Hazards or unsafe practices which, if not avoided, **MAY** result in injury or property damage.



⚠ WARNING

Skin injection hazard:

Do not use hands to check for oil leaks. Oil under pressure easily punctures skin. If injured, seek medical attention immediately to remove oil.

Failure to observe this warning could result in serious injury, gangrene, or death.



⚠ WARNING

Do not use solvents or flammable liquids to clean the tool body. Solvents or flammable liquids could ignite and cause serious injury or property damage.

⚠ WARNING

Do not dispose of batteries in a fire. They will vent fumes and may explode.

Failure to observe this warning could result in severe injury from harmful fumes or burns from flying debris.



⚠ WARNING

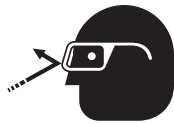
Read and understand all of the instructions and safety information in this manual before operating or servicing this tool. Refer also to the Operation Manual, which is listed under "Other Publications."

Failure to observe this warning could result in severe injury or death.

⚠ CAUTION

Do not perform any service or maintenance other than as described in this manual. Injury or damage to the tool may result.

Failure to observe this precaution may result in injury and property damage.



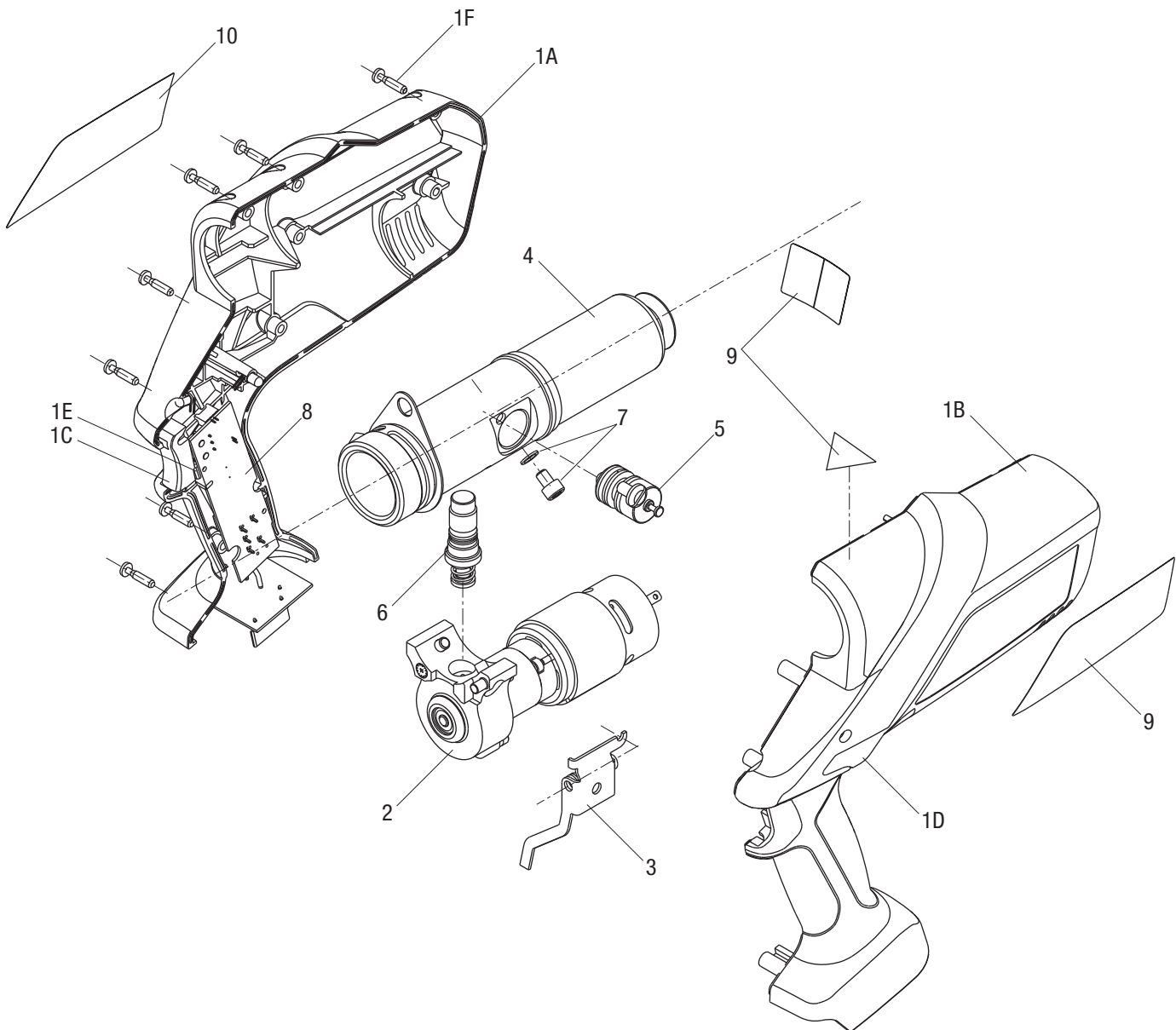
⚠ WARNING

Wear eye protection when operating or servicing this tool.

Failure to wear eye protection could result in serious eye injury from flying debris or hydraulic oil.

Note: Keep all decals clean and legible, and replace when necessary.

Main Illustration—All Tools

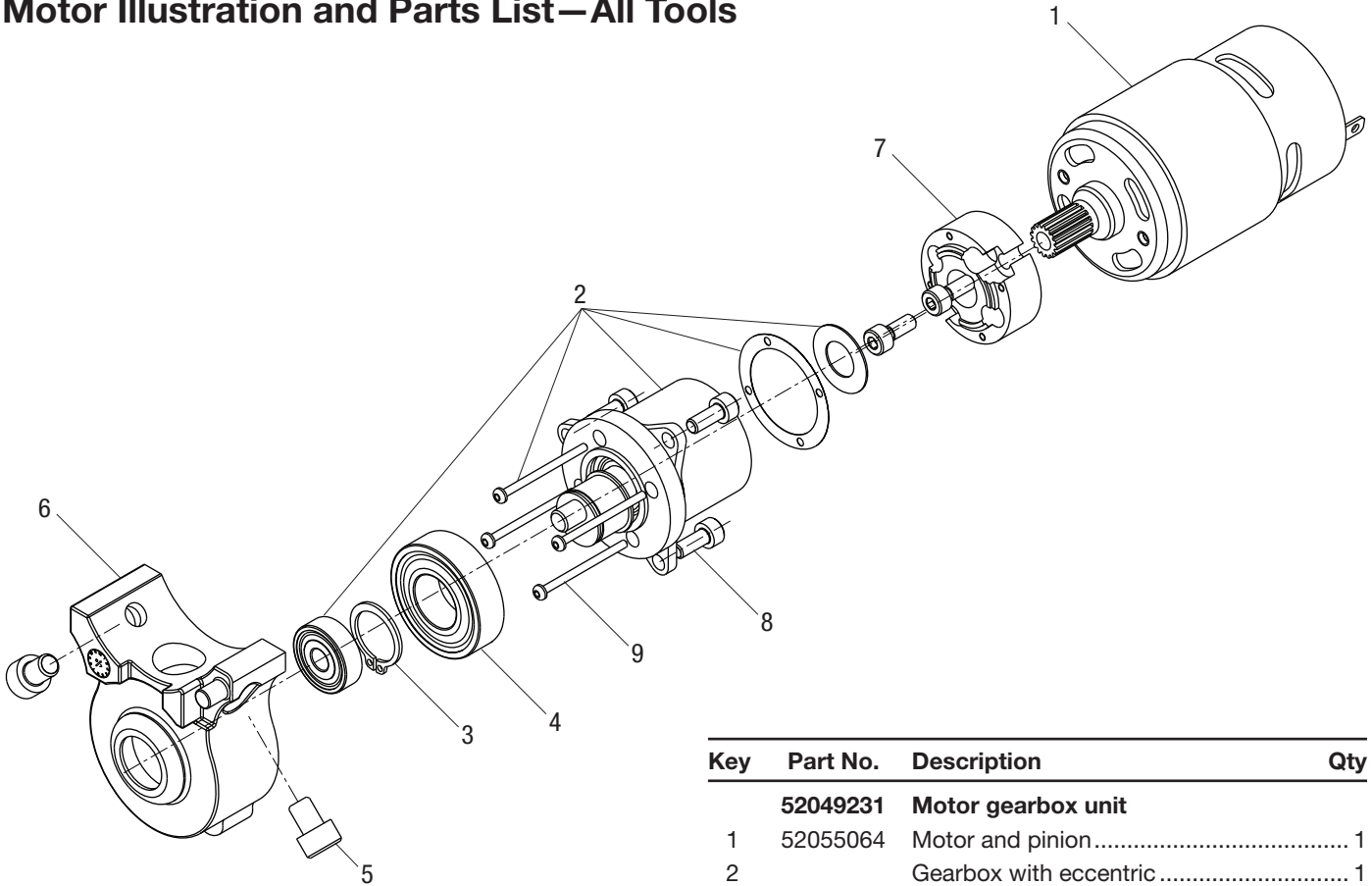


Main Parts List—All Tools

Key	Part No.	Description	Qty
1	52054788	Housing unit, 6-ton (ECCXL, EK06ATL, EK06ATCL, EK06FTL, ESG45L, ESG50L, LS60L).....	1
	52049229	Housing unit, 12-ton (E12CCXL, EK12IDL, EK1230L, EK1230CL, EK1240L, EK1240CL, EK1240KL, EK1550L, EK1550FTL, ESG55L, ESC85L, ESC105L, ESP710L).....	1
1A		Left housing.....	1
1B		Right housing.....	1
1C		Trigger button.....	1
1D		Retract button.....	1
1E		Spring.....	2
1F		Screw.....	12
2	52049231	Motor gearbox unit.....	1
3	52049233	Release lever unit.....	1
4	52049246	Pump housing unit (ECCXL, ESG45L, ESG50L, ESC85L).....	1
	52054792	Pump housing unit (EK06ATL, EK06ATCL, EK06FTL).....	1
	52049228	Pump housing unit (E12CCXL, EK12IDL, EK1230L, EK1230CL, EK1240L, EK1240CL, EK1240KL, ESG55L, ESC105L).....	1
	52054793	Pump housing unit (EK1550L, EK1550FTL).....	1
	52054791	Pump housing unit (ESP710L).....	1
	52054790	Pump housing unit (LS60L).....	1
5	52049232	Relief valve unit.....	1
6	52024191	Piston pump unit (all except LS60L).....	1
	52054789	Piston pump unit (LS60L).....	1
7	52049205	Sensor (EK06ATL, EK06ATCL, EK06FTL, EK12IDL, EK1230L, EK1230CL, EK1240L, EK1240CL, EK1240KL, EK1550L, EK1550FTL).....	1
	50121839	Screw (ECCXL, E12CCXL, ESG45L, ESG50L, ESG55L, ESC85L, ESC105L, ESP710L, LS60L).....	1
		Seal (included in 52054906 seal kit).....	1
8	52049245	Circuit board (ECCXL).....	1
	52054832	Circuit board (EK06ATL, EK06ATCL, EK06FTL).....	1
	52049227	Circuit board (E12CCXL, EK12IDL, EK1230L, EK1230CL, EK1240L, EK1240CL, EK1240KL).....	1
	52054833	Circuit board (EK1550L, EK1550FTL).....	1
	52056511	Circuit board (ESG45L, ESG50L, ESG55L, ESC85L, ESC105L, ESP710L)...	1
	52054835	Circuit board (LS60L).....	1

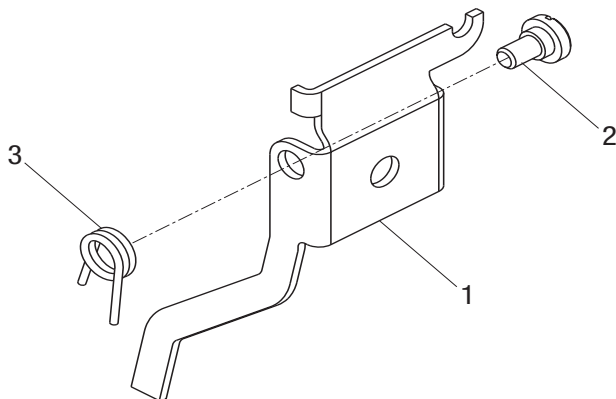
Key	Part No.	Description	Qty
9	52049248	Decal kit, pistol grip.....	1
10	52047629	Identification decal (ECCXL).....	1
	52047634	Identification decal (EK06ATL, EK06ATCL).....	1
	52047635	Identification decal (EK06FTL).....	1
	52047650	Identification decal (E12CCXL).....	1
	52047651	Identification decal (EK12IDL).....	1
	52047652	Identification decal (EK1230L, EK1230CL).....	1
	52047628	Identification decal (EK1240L, EK1240CL).....	1
	52047654	Identification decal (EK1240KL).....	1
	52047636	Identification decal (EK1550L).....	1
	52060888	Identification decal (EK1550FTL).....	1
	52047640	Identification decal (ESG45L).....	1
	52047645	Identification decal (ESG50L).....	1
	52056915	Identification decal (ESG55L).....	1
	52047639	Identification decal (ESC85L).....	1
	52047646	Identification decal (ESC105L).....	1
	52047644	Identification decal (ESP710L).....	1
	52047643	Identification decal (LS60L).....	1
	52049247	Carrying case (ECCXL, E12CCXL)	
	52055053	Carrying case (LS60L)	
	52055054	Carrying case (ESC105L)	
	52059128	Carrying case (EK1550L, EK1550FTL)	
	52049234	Carrying case (all others)	
	50014269	Connector compatibility decal (ECCXL)	
	50018817	Connector compatibility decal (EK06ATL, EK06ATCL)	
	50018825	Connector compatibility decal (EK06FTL)	
	50112171	Connector compatibility decal (E12CCXL, EK1230L, EK1230CL, EK1240L, EK1240CL)	
	52061815	Connector chart decal (E12CCXL-UA12ID)	
	52047653	Connector compatibility decal (EK12IDL)	
	52054906	Seal kit	
	52047087	120 VAC corded adapter	
	52047088	230 VAC corded adapter	
	52049189	18 V, 3 Ah lithium-ion battery	
	52049201	120 VAC, 18 V charger	
	52049202	230 VAC, 18 V charger	
	52049204	12 VDC, 18 V charger	
	52054992	Li (18 V) to NiCd, NiMH (12 V) charger adapter	
	50122746	Carrying strap	
	52057878	Biodegradable hydraulic fluid (1 qt)	

Motor Illustration and Parts List—All Tools



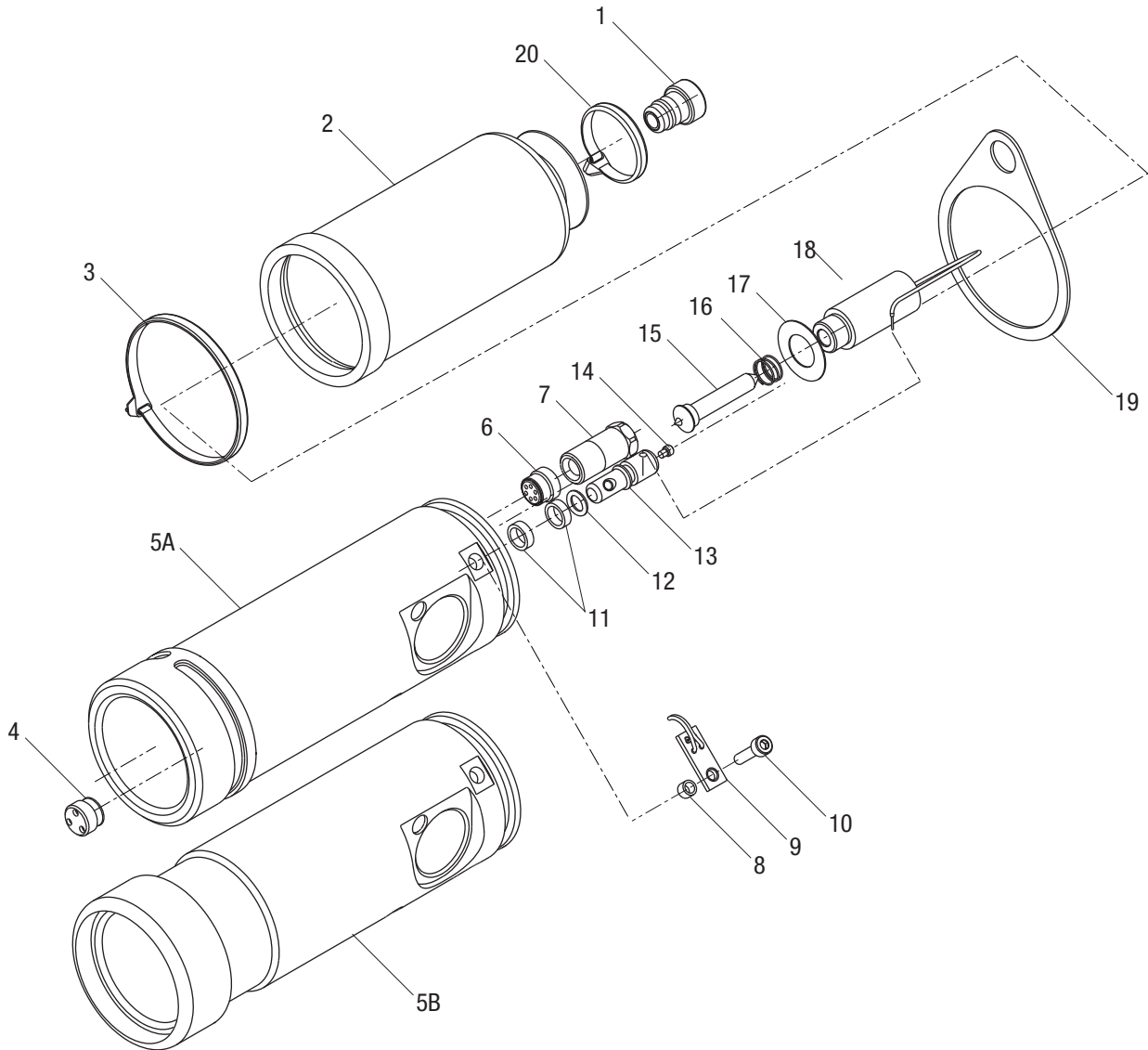
Key	Part No.	Description	Qty
	52049231	Motor gearbox unit	
1	52055064	Motor and pinion.....	1
2		Gearbox with eccentric.....	1
3		Retaining ring.....	1
4		Grooved ball bearing.....	1
5		Screw.....	2
6		Eccentric case.....	1
7		Flange.....	1
8		Screw.....	5
9	52028323	Gear box screw.....	4

Release Lever Illustration and Parts List—All Tools



Key	Part No.	Description	Qty
	52049233	Release lever unit	
1		Release lever.....	1
2		Socket head screw.....	1
3		Compression spring.....	1

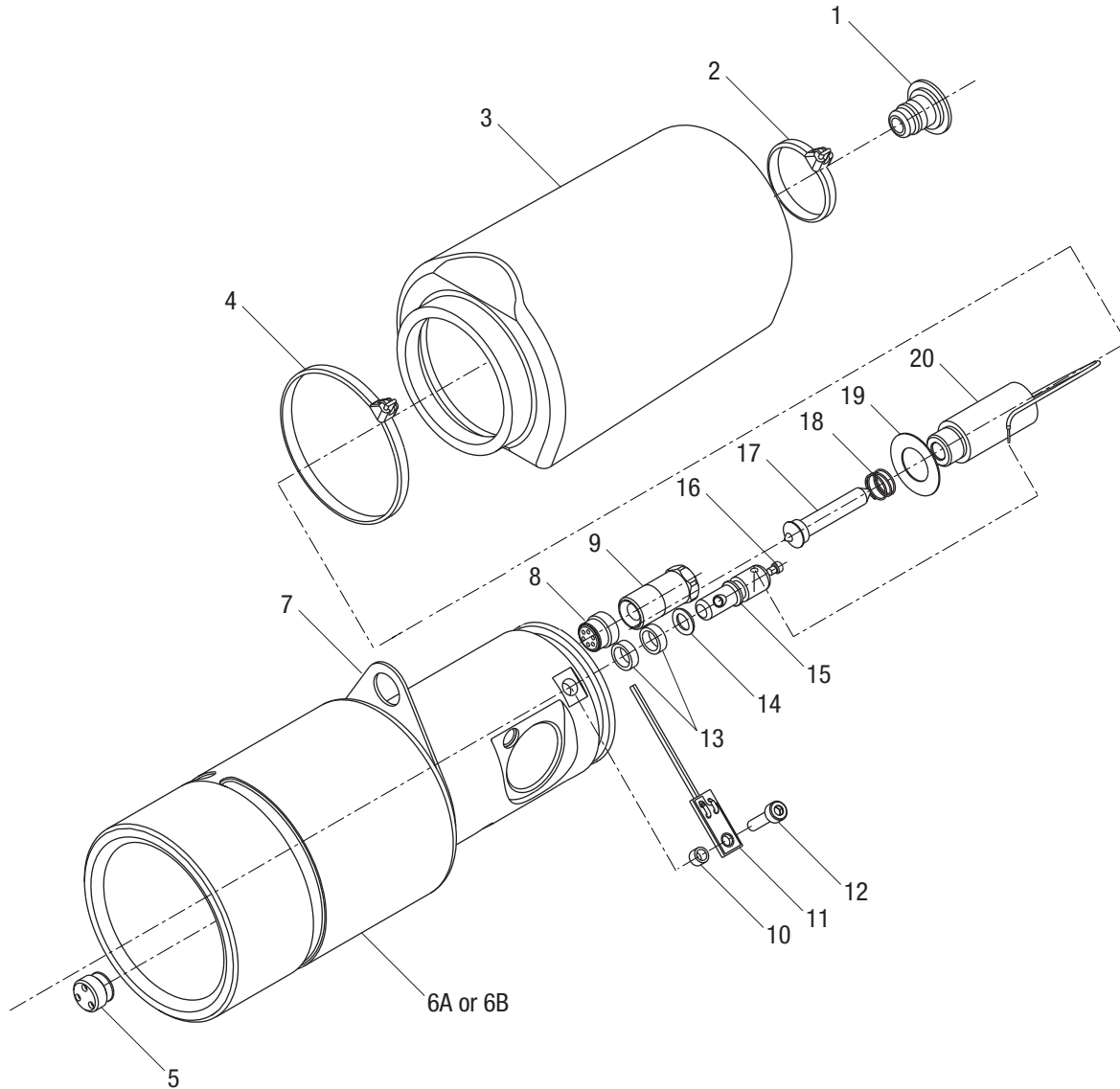
Pump Illustration and Parts List—ECCXL, ESG45L, ESG50L, ESC85L, EK06ATL, EK06ATCL, EK06FTL



Key	Part No.	Description	Qty
	52049246	Pump housing unit (A) (ECCXL, ESG45L, ESG50L, ESC85L)	
	52054792	Pump housing unit (B) (EK06ATL, EK06ATCL, EK06FTL)	
1		Reservoir plug	1
2	52054820	Reservoir	1
3		Cable tie (included in 52054906).....	1
4	50109308	Threaded bushing	1
5A		Pump housing	1
5B		Pump housing	1
6	50109162	Threaded bushing	1
7		Filter	1
8		Bearing	1
9		Switch lever.....	1
10		Screw	1

Key	Part No.	Description	Qty
11		Bearing	2
12		O-ring (included in 52054906).....	1
13		Pin	1
14		Screw	1
15		Needle valve.....	1
16		Compression spring.....	1
17		Disc spring	1
18		Solenoid	1
19		Hanging ring.....	1
20		Cable tie (included in 52054906).....	1
	52054907	Solenoid kit (includes 15–18)	
	52055065	Switch lever kit (includes 8–10)	
	52055068	Wrench, bushing	

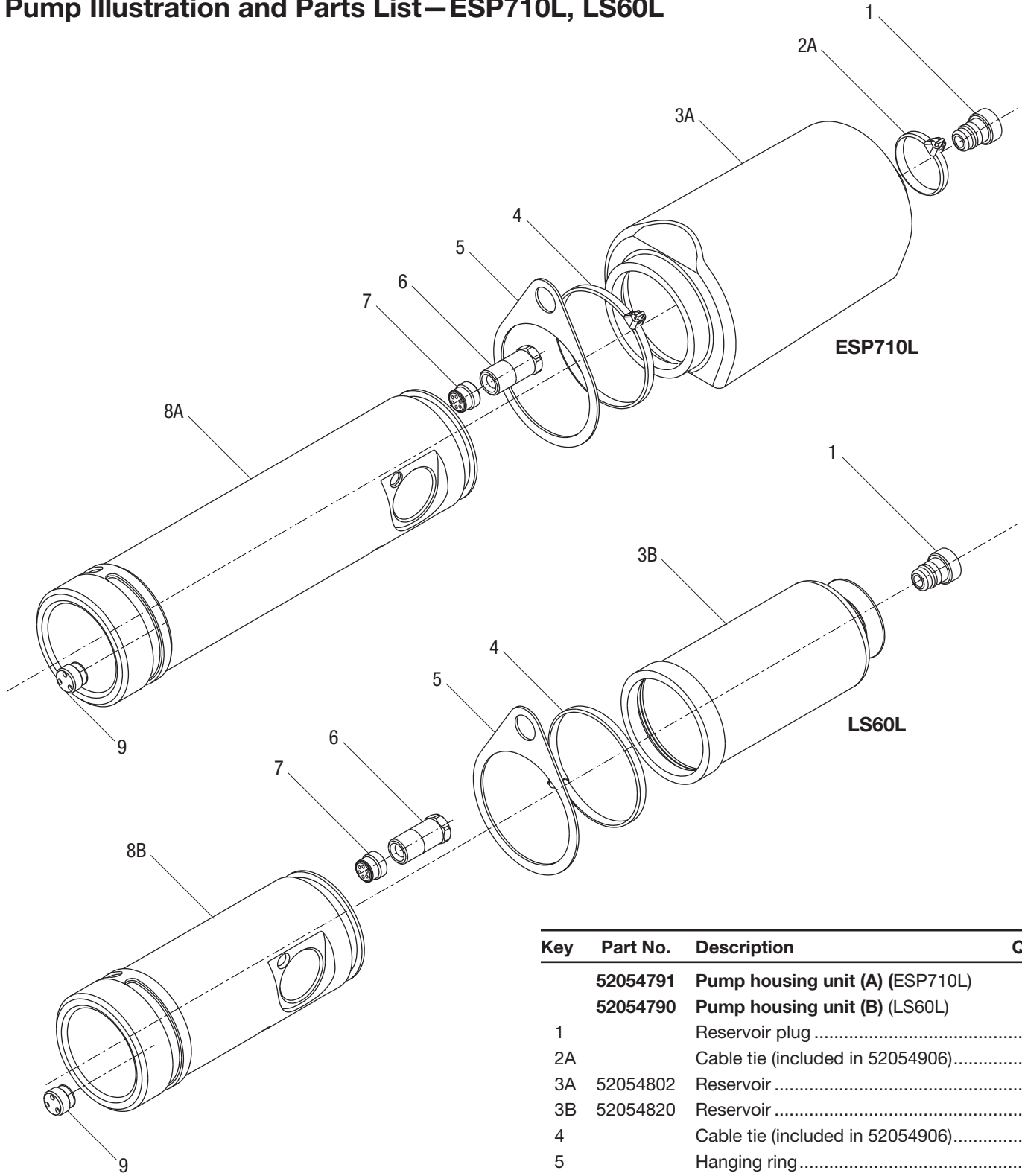
Pump Illustration and Parts List—E12CCXL, EK12IDL, EK1230L, EK1230CL, EK1240L, EK1240CL, EK1240KL, ESC105L, EK1550L, EK1550FTL, ESG55L



Key	Part No.	Description	Qty
	52049228	Pump housing unit (A) (E12CCXL, EK12IDL, EK1230L, EK1230CL, EK1240L, EK1240CL, EK1240KL, ESC105L, ESG55L)	
	52054793	Pump housing unit (B) (EK1550L, EK1550FTL)	
1	50109308	Reservoir plug	1
2		Cable tie (included in 52054906).....	1
3	52054802	Reservoir	1
4		Cable tie (included in 52054906).....	1
5	50109308	Threaded bushing	1
6A		Pump housing	1
6B		Pump housing	1
7		Hanging ring.....	1
8	50109162	Threaded bushing	1
9		Filter	1

Key	Part No.	Description	Qty
10		Bearing	1
11		Switch lever.....	1
12		Screw	1
13		Bearing	2
14		O-ring (included in 52054906).....	1
15		Pin	1
16		Screw	1
17		Needle valve.....	1
18		Compression spring.....	1
19		Disc spring	1
20		Solenoid	1
	52054907	Solenoid kit (includes 17–20)	
	52055065	Switch lever kit (includes 10–12)	
	52055068	Wrench, bushing	

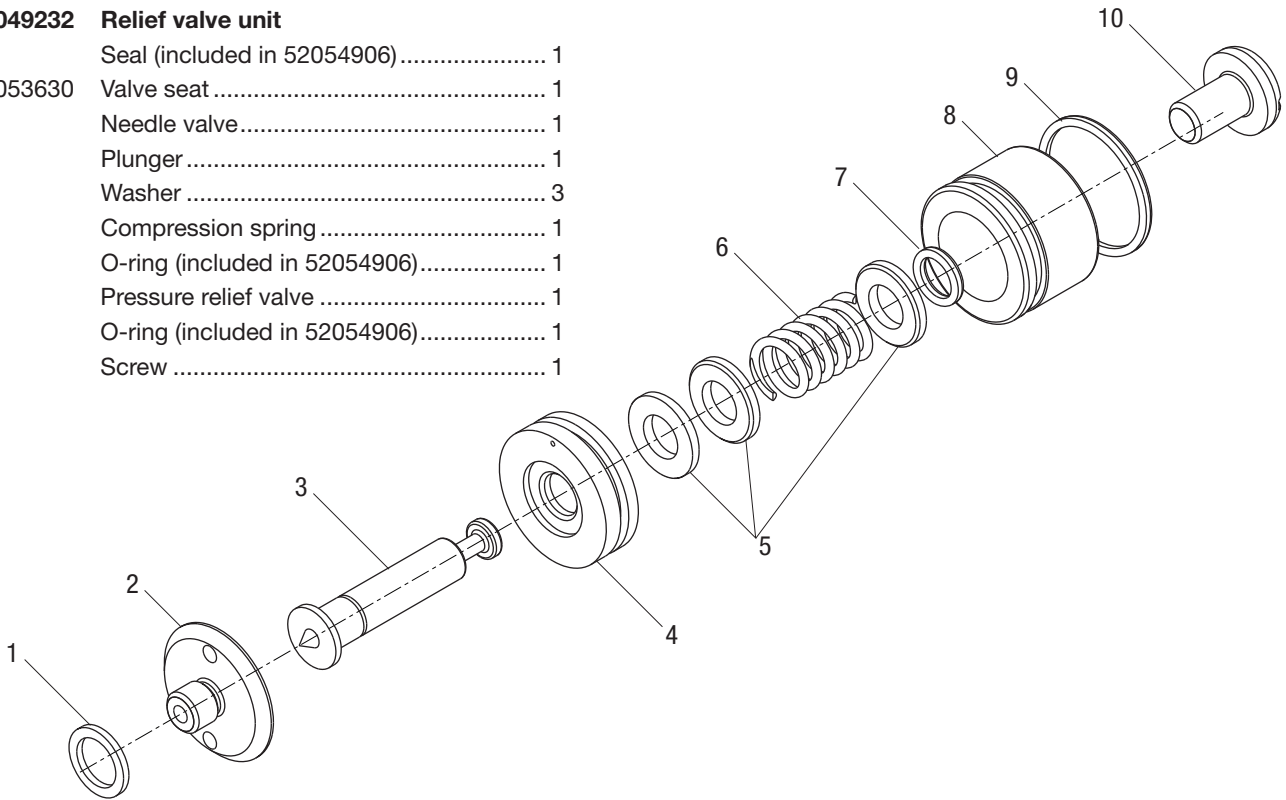
Pump Illustration and Parts List—ESP710L, LS60L



Key	Part No.	Description	Qty
	52054791	Pump housing unit (A) (ESP710L)	
	52054790	Pump housing unit (B) (LS60L)	
1		Reservoir plug	1
2A		Cable tie (included in 52054906).....	1
3A	52054802	Reservoir	1
3B	52054820	Reservoir	1
4		Cable tie (included in 52054906).....	1
5		Hanging ring.....	1
6		Filter	1
7	50109162	Threaded bushing	1
8A		Pump housing	1
8B		Pump housing	1
9	50109308	Threaded bushing	1
	52055068	Wrench, bushing	

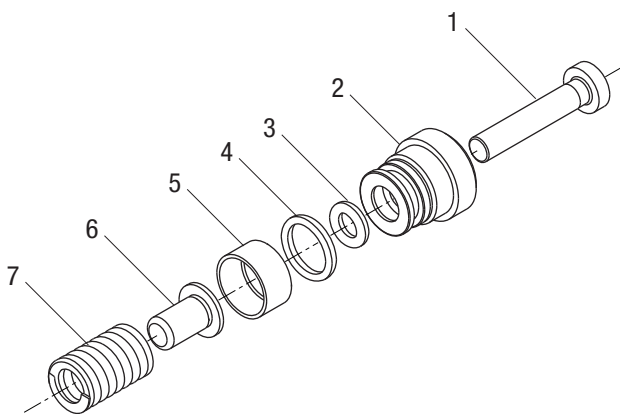
Relief Valve Illustration and Parts List—All Tools

Key	Part No.	Description	Qty
	52049232	Relief valve unit	
1		Seal (included in 52054906).....	1
2	50053630	Valve seat	1
3		Needle valve.....	1
4		Plunger	1
5		Washer	3
6		Compression spring.....	1
7		O-ring (included in 52054906).....	1
8		Pressure relief valve	1
9		O-ring (included in 52054906).....	1
10		Screw	1



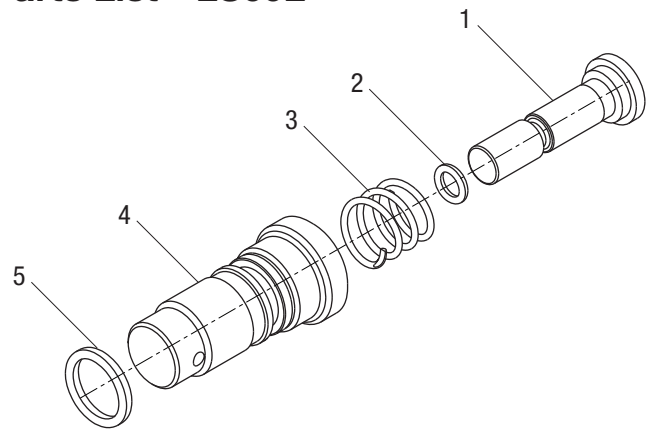
Piston Pump Illustration and Parts List—All Tools Except LS60L

Key	Part No.	Description	Qty
	52024191	Piston pump unit	
1		Pump piston.....	1
2		Screw plug	1
3		Piston seal (included in 52054906)	1
4		Washer (included in 52054906).....	1
5		Pump piston.....	1
6		Valve stem.....	1
7		Spring.....	1

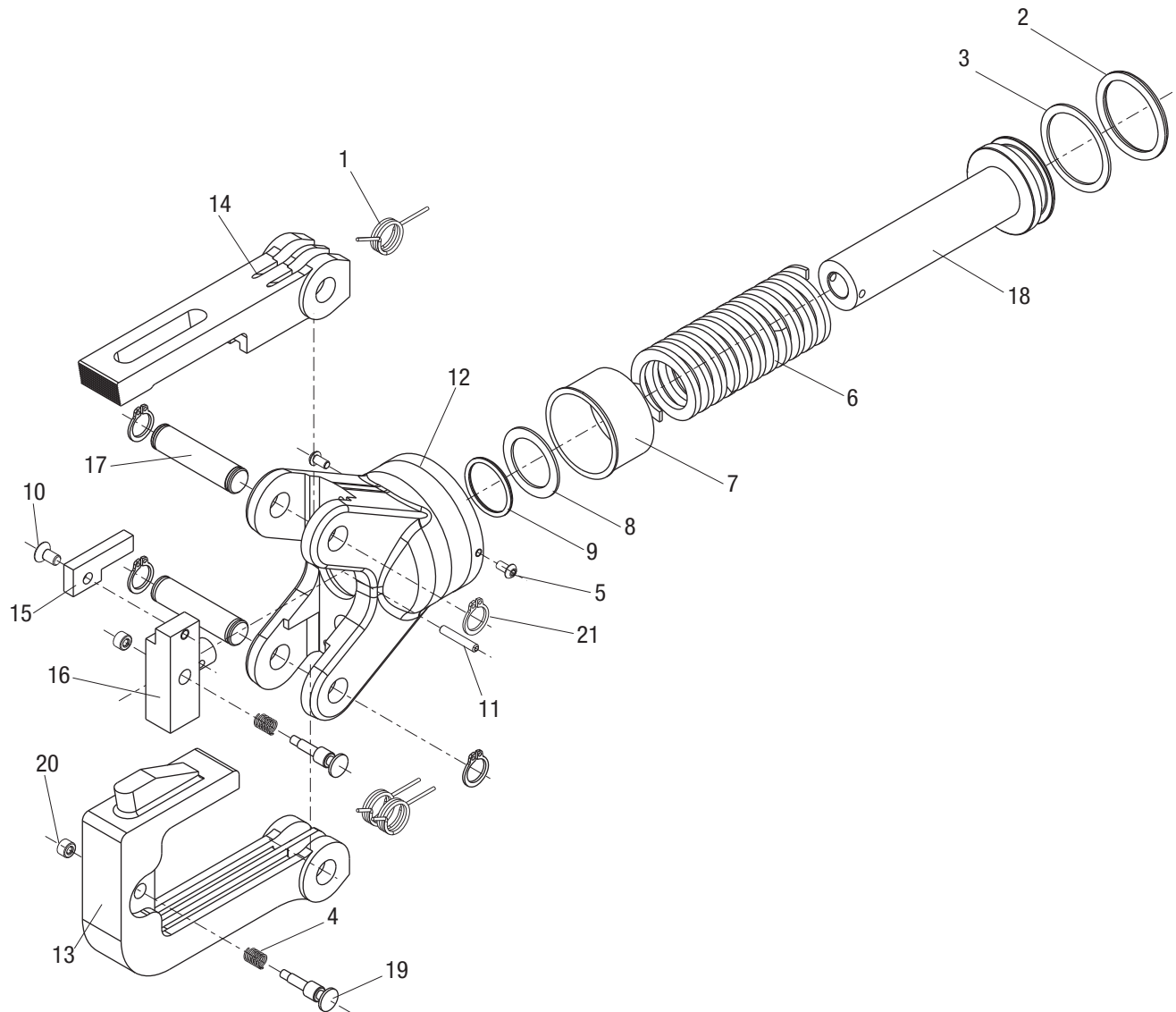


Piston Pump Illustration and Parts List—LS60L

Key	Part No.	Description	Qty
	52054789	Piston pump unit	
1		Pump piston.....	1
2		Piston seal (included in 52054906)	1
3		Spring.....	1
4		Piston sleeve	1
5		Washer (included in 52054906).....	1



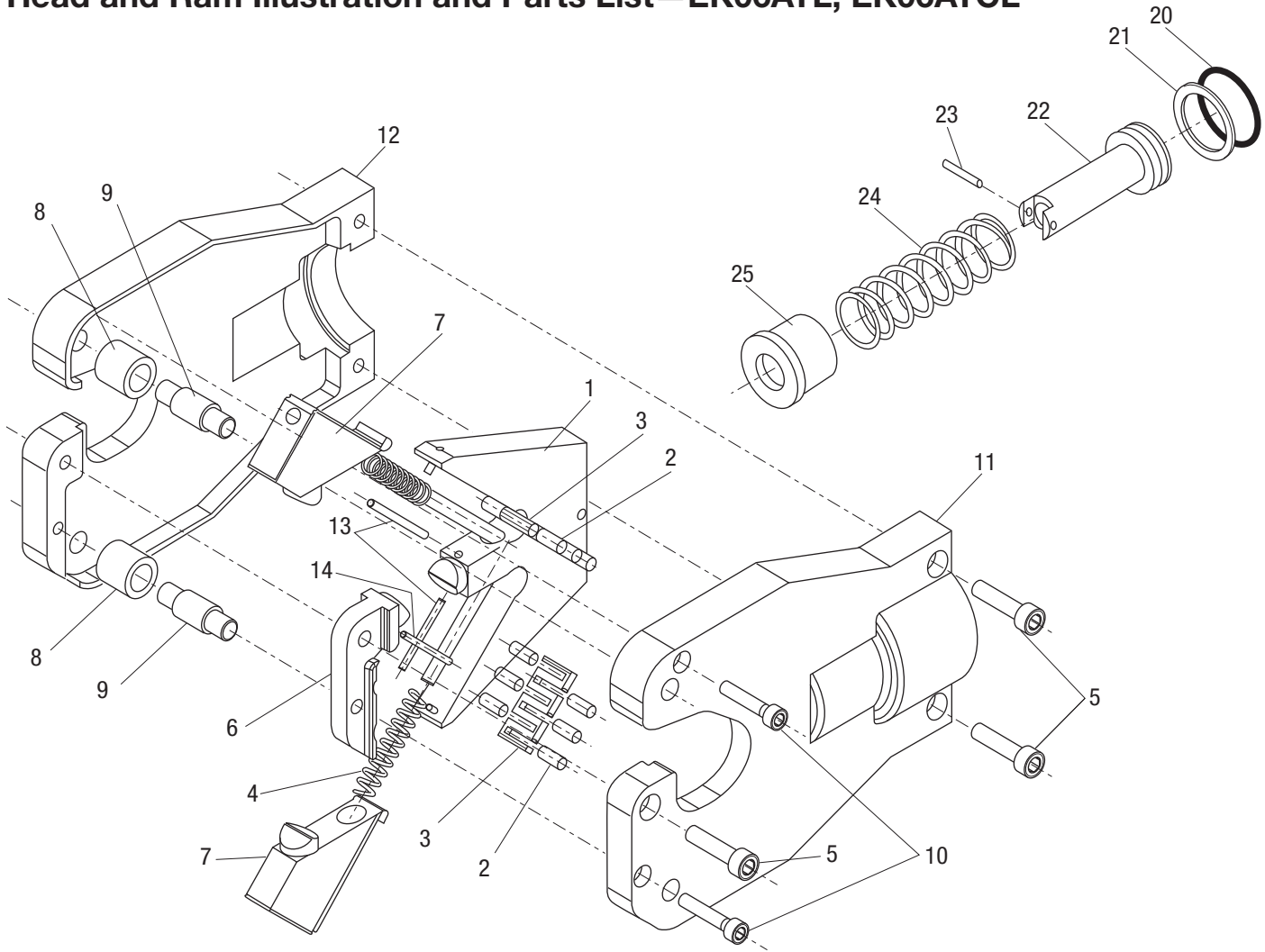
Head and Ram Illustration and Parts List—ECCXL



Key	Part No.	Description	Qty
	50013440	Head and ram unit (includes 1–21)	
1	50043838	Spring.....	3
2		O-ring (included in 52054906).....	1
3		Piston backup ring (included in 52054906).....	1
4		Compression spring.....	2
5	50041681	Screw	2
6	50058258	Compression spring.....	1
7	50058444	Bushing	1
8	50058371	Adapter disk.....	1
9		O-ring (included in 52054906).....	1
10	50067257	Screw, M4 x 8.....	1
11	50071220	Pin, 3 x 18	1

Key	Part No.	Description	Qty
12	50067150	Fixed head.....	1
13		Movable head.....	1
14		Latch	1
15	50067214	Guide plate.....	1
16	50067192	Adapter ram	1
17	50067184	Pin, 10 x 40.5 mm	2
18	50067222	Piston	1
19		Adapter lock pin.....	2
20		Bushing	2
21	50034308	Retaining ring	4
	50017500	Head set (includes 13, 14)	
	50103750	Adapter lock kit (includes 4, 19, 20)	

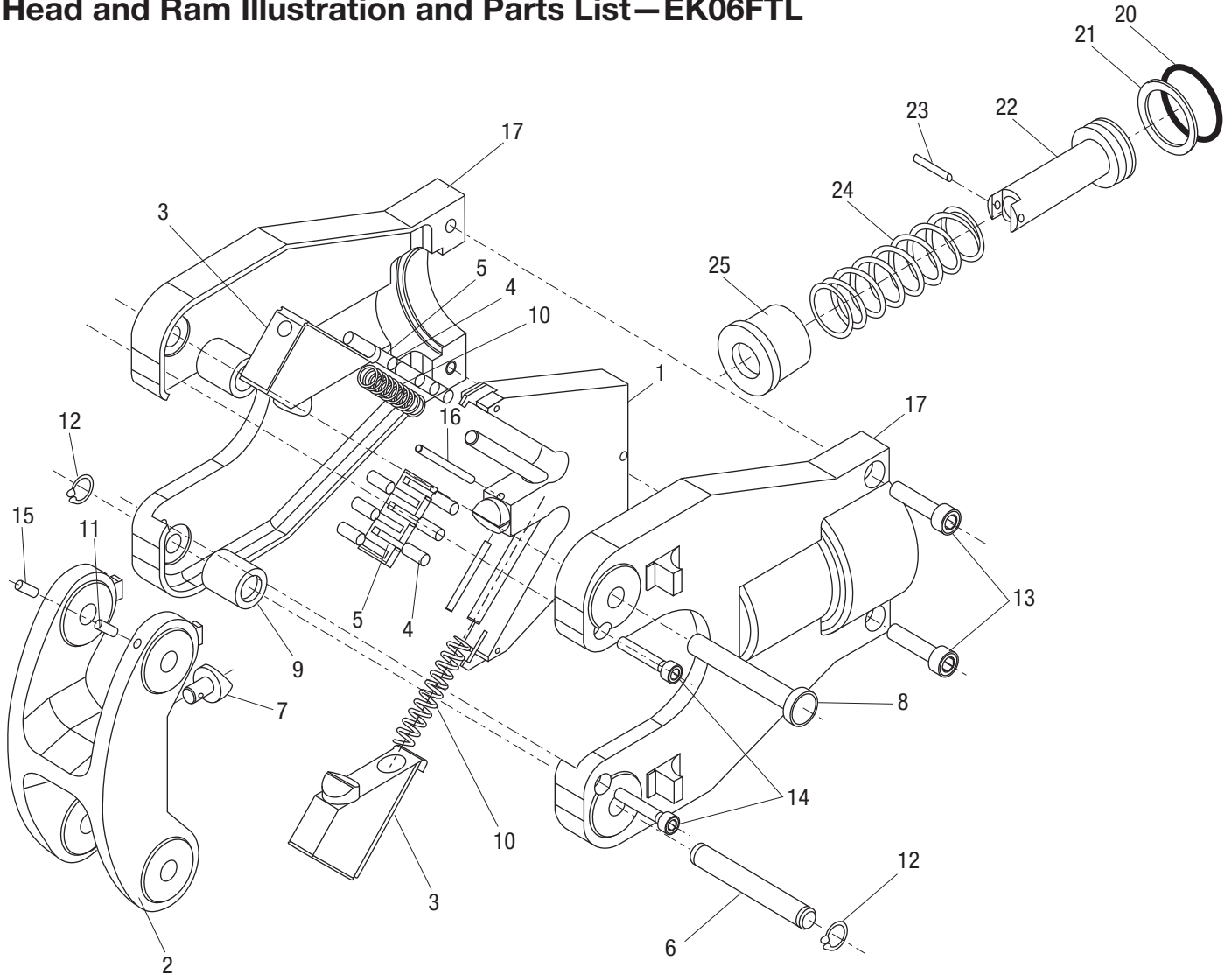
Head and Ram Illustration and Parts List—EK06ATL, EK06ATCL



Key	Part No.	Description	Qty
	50017284	Quad point head assembly (EK06ATL) (includes 1–14)	
	50017446	Quad point head assembly, rubber-covered (EK06ATCL) (includes 1–14)	
1	50017292	Cam yoke assembly.....	1
2		Roller bearings	12
3		Bearing retainers	2
4	50060910	Compression spring.....	3
5	50061003	Screw	2
6	50060848	Fixed jaw	1
7	50060856	Moving jaw	2
8	50060864	Pivot roller	2
9	50060872	Pivot pin	2
10	50061011	Screw	2

Key	Part No.	Description	Qty
	50060953	Head kit (includes 11, 12)	
	50065262	Head kit, rubber-covered (includes 11A, 12A)	
11		Head cover (LH)	1
11A		Head cover (LH), rubber-covered.....	1
12		Head cover (RH).....	1
12A		Head cover (RH), rubber-covered	1
13	50017276	Spring pin.....	2
14	50017349	Spring pin.....	1
20		O-ring (included in 52054906).....	1
21		Backup ring (included in 52054906).....	1
22	50063812	Piston	1
23	50063405	Pin	1
24	50058398	Compression spring.....	1
25	50063820	Sleeve.....	1
	50061291	Bearing retainer kit (includes 2, 3)	

Head and Ram Illustration and Parts List—EK06FTL

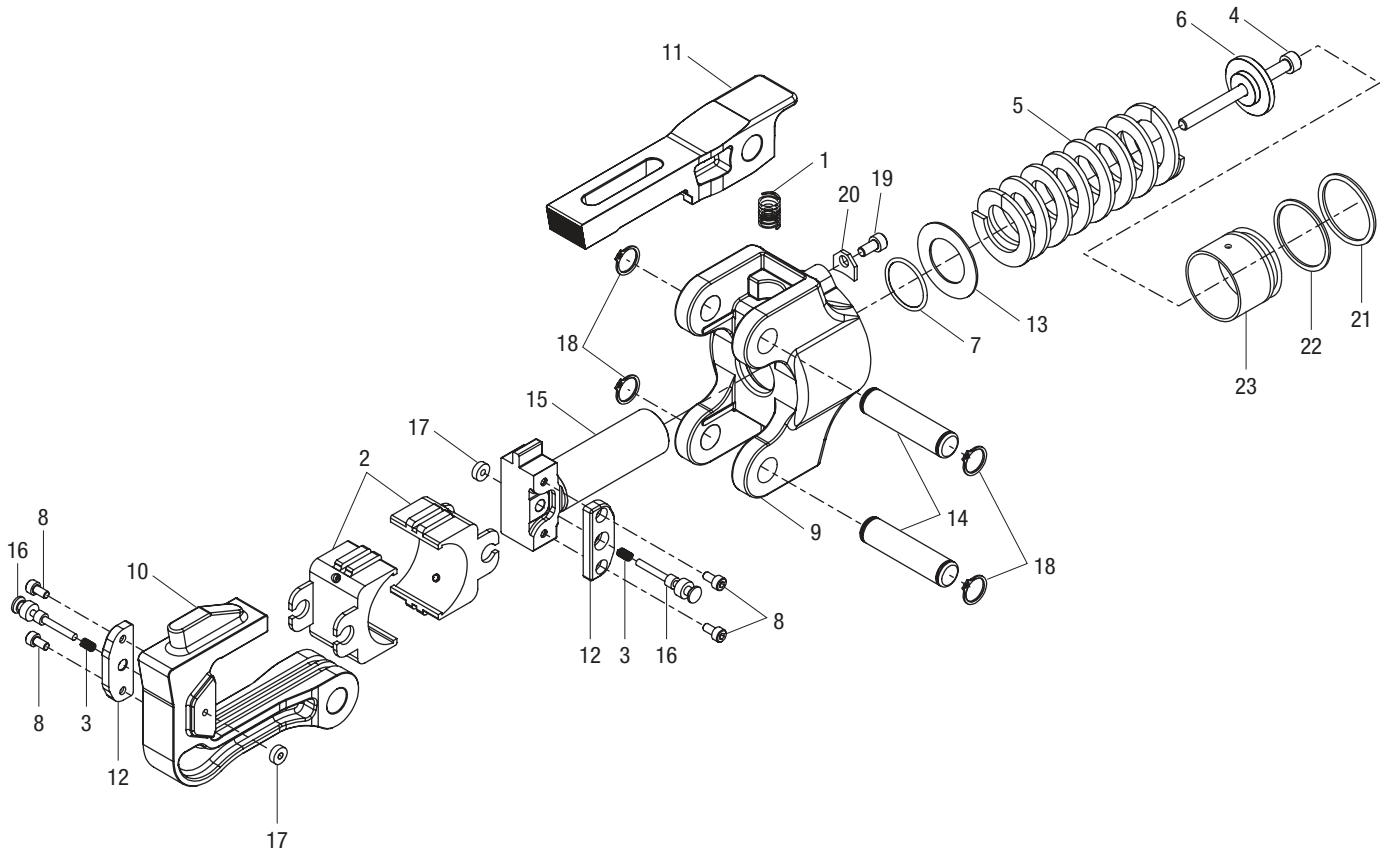


Key	Part No.	Description	Qty
	50017225	Quad point flip-top head assembly (includes 1–17)	
1	50017233	Cam yoke assembly.....	1
2	50061178	Latch (includes 7).....	1
3	50061275	Moving jaw.....	2
4		Roller bearing.....	12
5		Bearing retainer.....	2
6	50061216	Latch mounting pin.....	1
7		Latch nib (included in 50061178).....	1
8	50061240	Lock pin.....	1
9	50061160	Side jaw roller.....	2
10	50060910	Compression spring.....	2
11	50060961	Ball screw.....	1

Key	Part No.	Description	Qty
12	50061224	Snap ring.....	2
13	50061003	Screw.....	2
14	50061038	Screw.....	2
15	50083660	Set screw.....	1
16	50017276	Spring pin.....	2
17	52023662	Head cover.....	2
20		O-ring (included in 52054906).....	1
21		Backup ring (included in 52054906).....	1
22	50063812	Piston.....	1
23	50063405	Pin.....	1
24	50058398	Compression spring.....	1
25	50063820	Sleeve.....	1
	50061291	Bearing retainer kit (includes 4, 5)	

Head and Ram Illustration and Parts List—E12CCXL

For units manufactured after June 2012—items 9, 10, 11, and 15 will show  (date stamp)

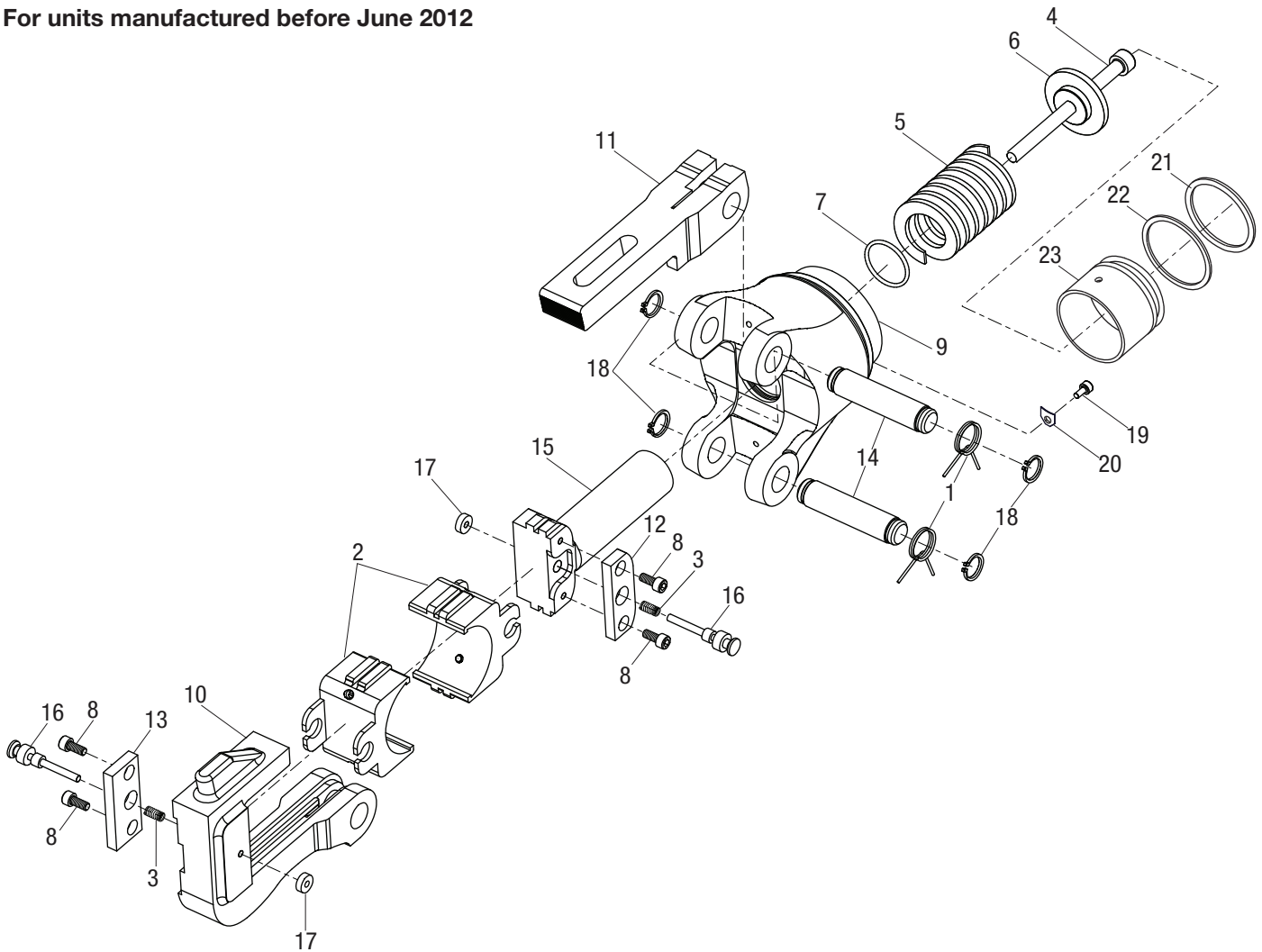


Key	Part No.	Description	Qty
	52045319	Head and ram unit (includes 1–3, 8–12, 14–18)	
1		Compression spring.....	1
2		Adapter, U-type die.....	2
3		Compression spring.....	2
4		Screw, M6-1.0 x 75 mm skt head cap.....	1
5	50066919	Compression spring.....	1
6	50066900	End cap.....	1
7		O-ring (included in 52054906).....	1
8		Screw, M4-0.7 x 8 mm skt head cap.....	4
9		Fixed head.....	1
10		Movable head.....	1
11		Latch.....	1
12	52062835	Plate.....	2
13		Adapter disk.....	1

Key	Part No.	Description	Qty
14		Pin, pivot.....	2
15	52062834	Ram.....	1
16		Pin, adapter lock.....	2
17		Bushing.....	2
18		Retaining ring.....	4
19		Screw, M5-0.8 x 10 mm skt head cap.....	1
20	50066943	Stop.....	1
21		O-ring (included in 52054906).....	1
22		Backup ring (included in 52054906).....	1
23	50067796	Piston.....	1
	50118374	Adapter lock kit (includes 3, 16, 17)	
	52020102	UA12T, U-type die adapter set (includes two of item 2)	
	52063244	Pin kit (includes 14 and two of item 18)	

Head and Ram Illustration and Parts List—E12CCXL

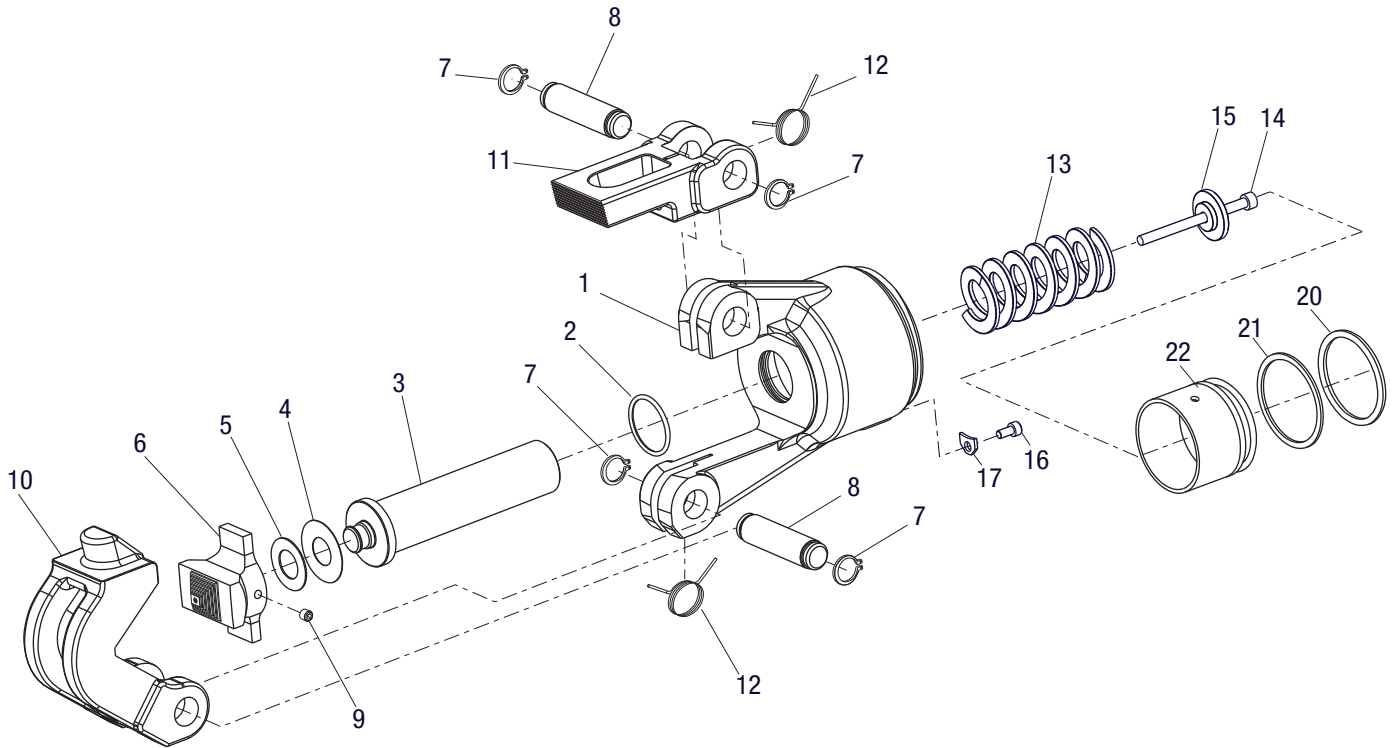
For units manufactured before June 2012



Key	Part No.	Description	Qty
1	52060029	Spring, torsion, ϕ .072 wire	2
	50111230	Spring, torsion, ϕ .047 wire (units preceding serial no. ALE535785).....	2
2		Adapter, U-type die	2
3	50419211	Compression spring	2
4	50066951	Screw	2
5	50066919	Compression spring	1
6	50066900	Disk	1
7		O-ring (included in 52054906).....	1
8		Screw, #8-32 x 3/8 skt head cap	4
9	50111035	Fixed head.....	1
10	50111051	Movable head.....	1
11	50111060	Latch	1
12	50111205	Plate	1

Key	Part No.	Description	Qty
13	50112244	Plate	1
14	50111086	Pin, pivot	2
15	50111221	Piston	1
16		Pin, adapter lock	2
17		Retaining disk.....	2
18	90513533	Retaining ring	4
19		Screw, M5-0.8 x 10 mm skt head cap	1
20	50066943	Stop.....	1
21		O-ring (included in 52054906).....	1
22		Backup ring (included in 52054906).....	1
23	50067796	Piston	1
	50118374	Adapter lock kit (includes 3, 16, 17)	
	52020102	UA12T, U-type die adapter set (includes two of item 2)	

Head and Ram Illustration and Parts List—EK12IDL



Key	Part No.	Description	Qty
	52024011	Head and ram unit (includes 1–17)	
1	52020271	Yoke.....	1
2		O-ring (included in 52054906).....	1
3	52020510	Ram.....	1
4	52020512	Spacer, .010 x 1.181 x .531.....(as needed)	
5	50337300	Spacer, .025 x .997 x .549.....(as needed)	
6	52020277	Indenter.....	1
7	90513533	Retaining ring.....	4
8	52020513	Pivot pin.....	2
9		Screw, #10-32 x .25 skt set cone pt.....	1
10	52020275	Crimp head.....	1
11	52020273	Latch.....	1

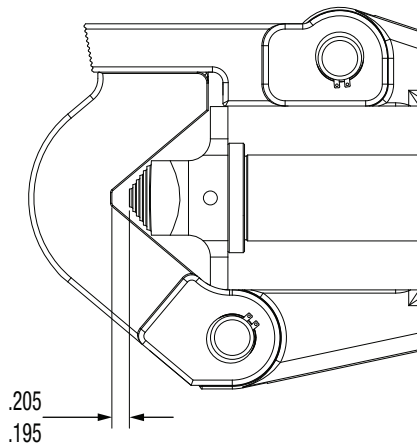
Key	Part No.	Description	Qty
12	50111230	Torsion spring.....	2
13		Spring.....	1
14		Screw, M6-1.0 x 80 mm skt head cap.....	1
15		End cap.....	1
16		Screw, M5-0.8 x 10 mm skt head cap.....	1
17		Stop.....	1
20		O-ring (included in 52054906).....	1
21		Backup ring (included in 52054906).....	1
22	50067796	Piston.....	1
	52021550	Spring kit (includes 2, 13–17)	

Indenter and Head Replacement—EK12IDL

This procedure is separated into two sections, one for the indenter and one for the head.

Indenter

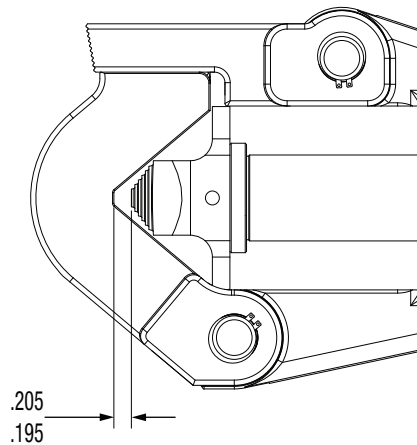
1. Lift the latch and open the crimping head.
2. Remove set screw (9), indenter (6), and any spacers (4 and 5).
3. Lubricate indenter tangs that slide against the yoke. Reinstall spacers (4 and 5) and indenter (6).
4. Close crimping head and check that latch and head are fully engaged.
5. Reinstall the battery and advance the indenter to full stroke. Release trigger when the sound of motor speed begins to slow down.
6. Measure the distance between the bottom of the indenter and head as shown below. The distance should measure 4.953 mm to 5.207 mm (.195" to .205"). If the dimension is outside this range, remove set screw (9) and indenter (6).
 - to increase distance, remove a spacer (4, 5).
 - to decrease distance, add a spacer (4, 5).



7. Install indenter (6) and secure with set screw (9).

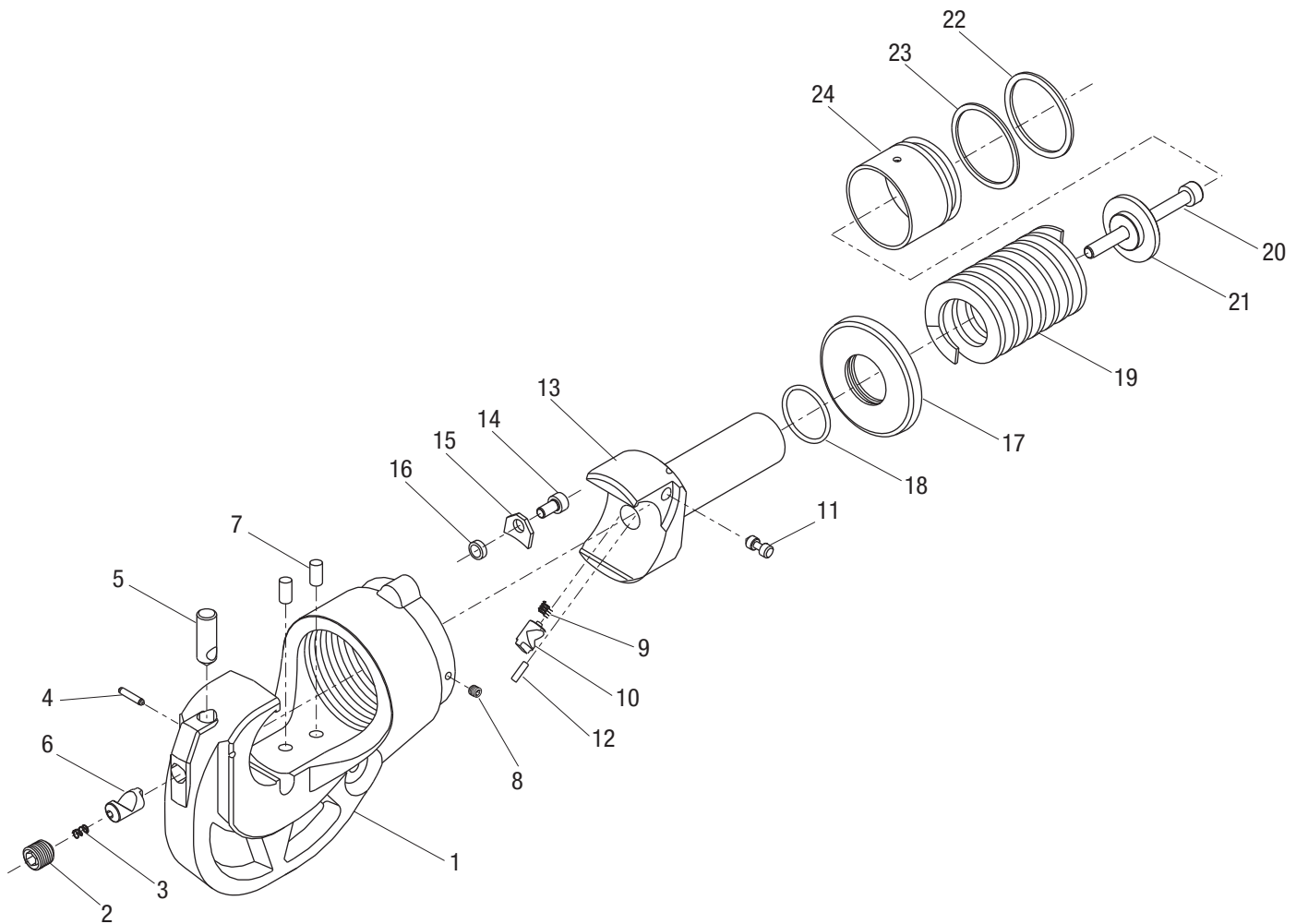
Head

1. Lift the latch and open the crimping head.
2. Remove the retaining ring (7), pin (8), head (10), and spring (12).
3. Install spring (12) with long end into the yoke hole. Reinstall head (10), pin (8), and retaining ring (7).
4. Close crimping head and check that latch and head are fully engaged.
5. Reinstall the battery and advance the indenter to full stroke. Release trigger when the sound of motor speed begins to slow down.
6. Measure the distance between the bottom of the indenter and head as shown below. The distance should measure 4.953 mm to 5.207 mm (.195" to .205"). If the dimension is outside this range, remove set screw (9) and indenter (6).
 - to increase distance, remove a spacer (4, 5).
 - to decrease distance, add a spacer (4, 5).



7. Install indenter (6) and secure with set screw (9).

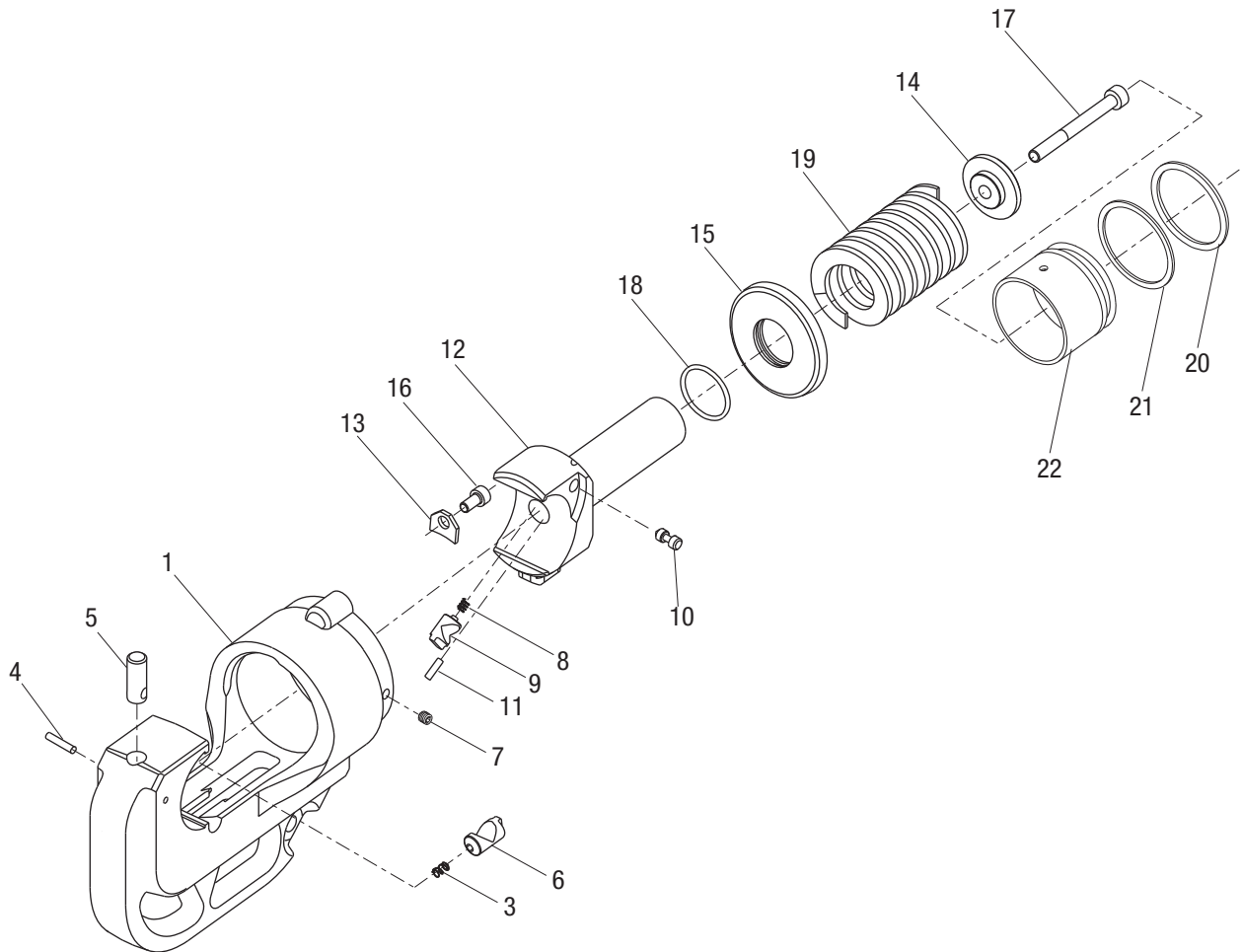
Head and Ram Illustration and Parts List—EK1230L, EK1230CL



Key	Part No.	Description	Qty
	50053728	C-head assembly, 30 mm (includes 1A, 2–8)	
	50072161	C-head assembly, 30 mm, PVC-covered (includes 1B, 2– 8)	
1A		C-head	1
1B		C-head, PVC-covered	1
2	90550609	Set screw	1
3	50038214	Compression spring	1
4	90550633	Groove pin	1
5	50053175	Die release button	1
6	50053191	Die release pin	1
7	90550625	Groove pin	2
8	90550617	Set screw	1
	50053779	Ram assembly (includes 9–13)	
9	50038214	Compression spring	1
10	50053167	Die release pin	1

Key	Part No.	Description	Qty
11	50053183	Release shaft.....	1
12	90550641	Spring pin.....	1
13		Ram	1
	50067079	Spring kit (includes 14–21)	
14		Screw, M5-0.8 x 10 mm skt head cap	1
15		Stop.....	1
16		Bushing, 5 x 9 x 3T	1
17		Spring stop.....	1
18		O-ring (included in 52054906).....	1
19		Ram spring	1
20		Screw, M6-1.0 x 70 mm skt head cap	1
21		Disc	1
22		O-ring (included in 52054906).....	1
23		Backup ring (included in 52054906).....	1
24	50067796	Piston	1

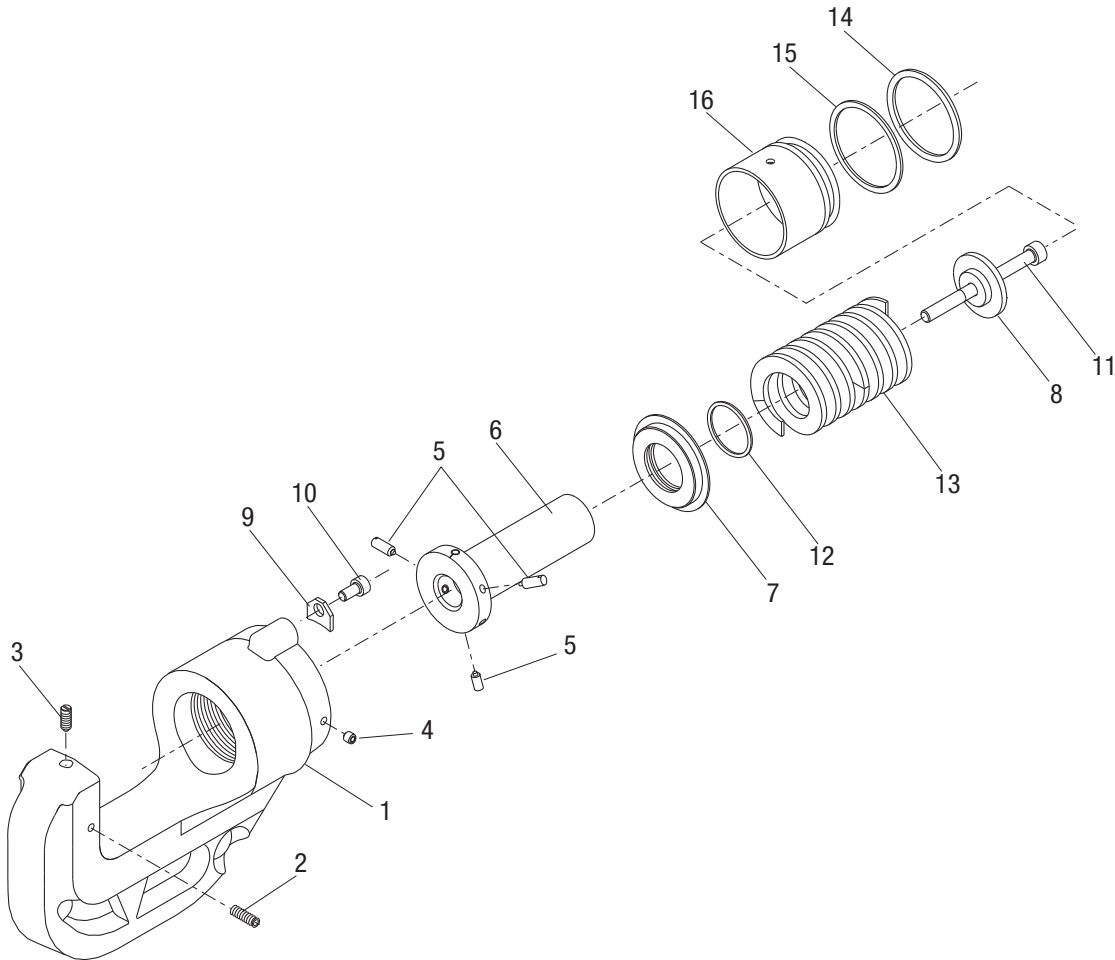
Head and Ram Illustration and Parts List—EK1240L, EK1240CL



Key	Part No.	Description	Qty
	50766056	C-head assembly, 42 mm (includes 1A, 2-7)	
	50766063	C-head assembly, 42 mm, PVC-covered (includes 1B, 2-7)	
1A		C-head, 42 mm	1
1B		C-head, 42 mm, PVC-covered.....	1
3	50038214	Compression spring.....	1
4	90550633	Groove pin.....	1
5	50053175	Die release button	1
6	50053191	Die release pin.....	1
7		Set screw, M5-0.8 x 5 mm skt cup pt.....	1
	50053787	Ram assembly (includes items 8-12)	
8	50038214	Compression spring.....	1
9	50053167	Die release pin.....	1
10	50053183	Release shaft.....	1
11	90550641	Spring pin.....	1
12		Ram.....	1

Key	Part No.	Description	Qty
	50067087	Spring kit (includes 13-19)	
13		Stop.....	1
14		Disc	1
15		Spring stop.....	1
16		Screw, M5-0.8 x 10 mm skt head cap	1
17		Screw, M6-1.0 x 80 mm skt head cap	1
18		O-ring (included in 52054906).....	1
19		Ram spring	1
20		O-ring (included in 52054906).....	1
21		Backup ring (included in 52054906).....	1
22	50067796	Piston	1

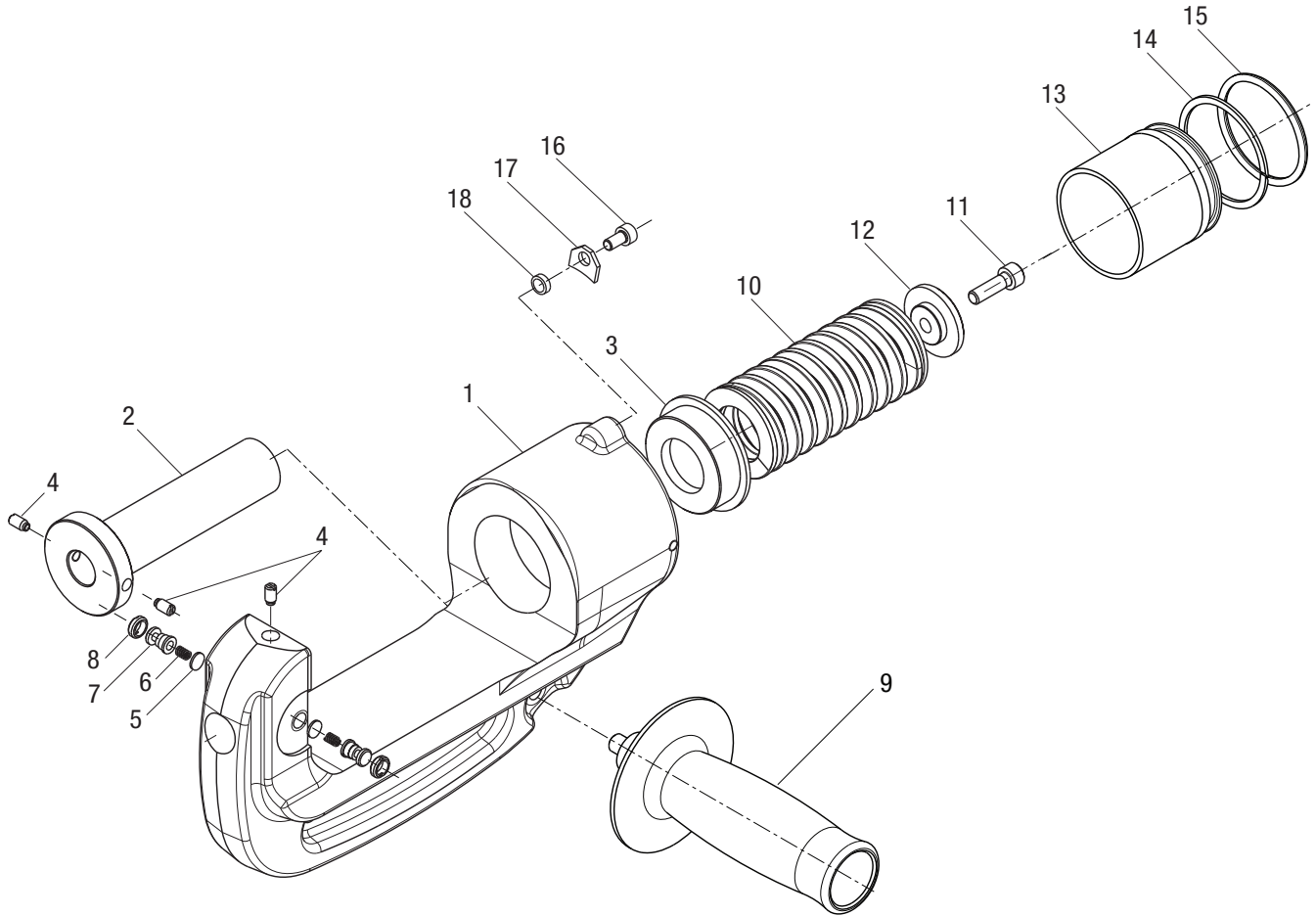
Head and Ram Illustration and Parts List—EK1240KL



Key	Part No.	Description	Qty
	50054767	C-head assembly, Kearney (includes 1–4)	
1		C-head	1
2	90507932	Set screw	1
3	90539621	Ball detent	1
4	90550617	Set screw	1
5	90539621	Ball detent	3
6	50066714	Ram	1

Key	Part No.	Description	Qty
	50067095	Spring kit (includes 7–13)	
7		Stop spring.....	1
8		Disc	1
9		Stop.....	1
10		Screw, M5-0.8 x 10 mm skt head cap	1
11		Screw, M6-1.0 x 70 mm skt head cap	1
12		O-ring (included in 52054906).....	1
13		Ram spring	1
14		O-ring (included in 52054906).....	1
15		Backup ring (included in 52054906).....	1
16	50067796	Piston	1

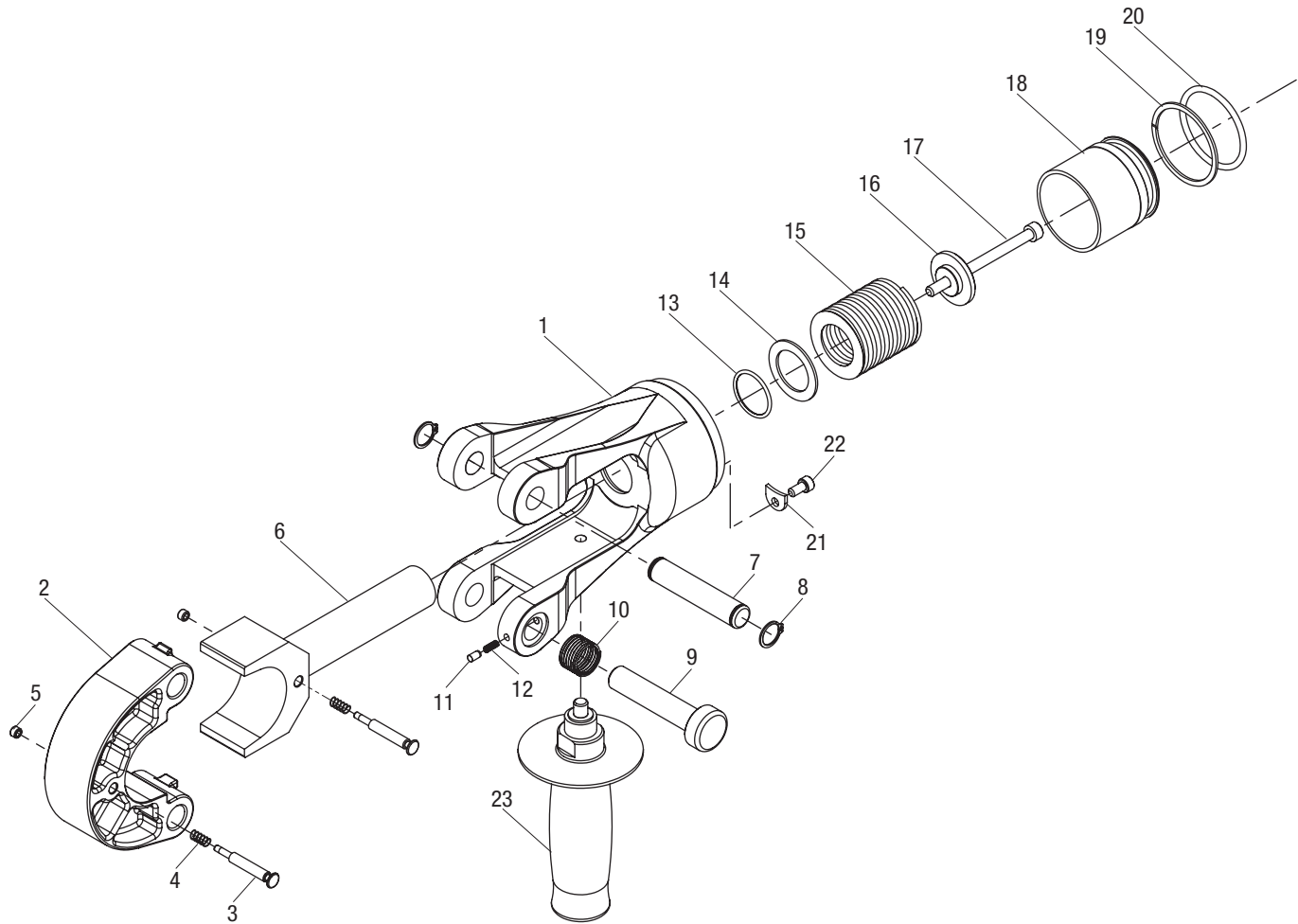
Head and Ram Illustration and Parts List—EK1550L



Key	Part No.	Description	Qty
	52048139	Head unit (includes 1–8)	
1		Crimp head.....	1
2		Ram.....	1
3		Piston guide	1
4	90539621	Ball plunger	3
	52047036	Die retainer kit (includes 5–8)	
5		Disk	2
6		Spring.....	2
7		Die pin	2
8		Nut.....	2

Key	Part No.	Description	Qty
9	52020646	Handle.....	1
10		Spring.....	1
11		Screw, M6-1.0 x 20 mm skt head cap	1
12	50066900	End cap.....	1
13		Piston	1
14		Backup ring (included in 52054906).....	1
15		O-ring (included in 52054906).....	1
16	50019210	Screw	1
17	50066943	Stop.....	1
18		Spacer.....	1

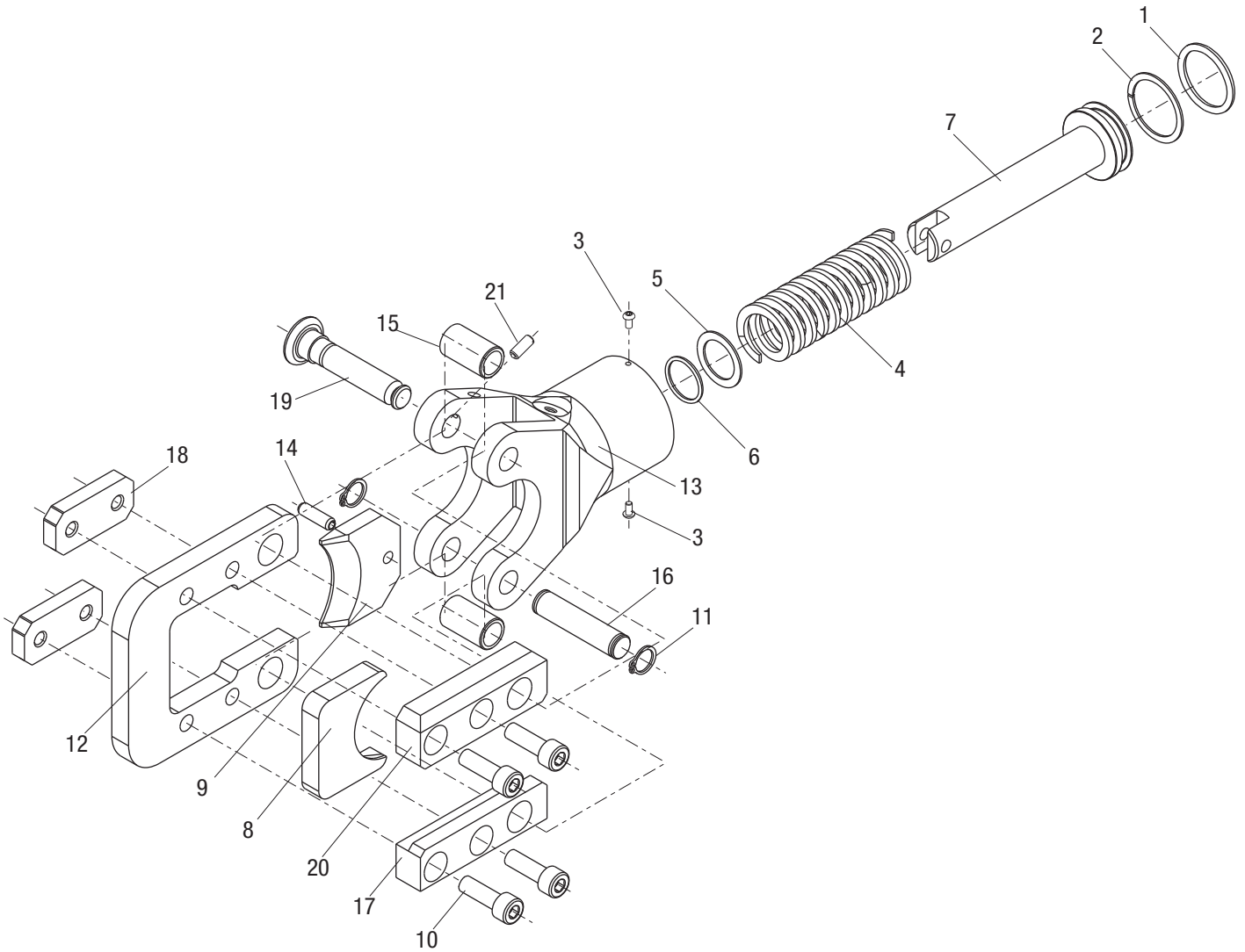
Head and Ram Illustration and Parts List—EK1550FTL



Key	Part No.	Description	Qty
1		Crimping head base.....	1
2		Head, movable.....	1
3		Die retaining pin.....	2
4		Compression spring.....	2
5		Die releasing button.....	2
6		Ram.....	1
7		Pin.....	1
8		Retaining ring.....	2
9		Pull pin.....	1
10		Compression spring.....	1
11		Lock pin.....	1
12		Compression spring.....	1
13		O-ring.....	1
14		Washer.....	1

Key	Part No.	Description	Qty
15		Spring.....	1
16		End cap.....	1
17		Screw, M6 x 80 mm socket head cap.....	1
18		Piston.....	1
19		Backup ring (included in 52054906).....	1
20		O-ring (included in 52054906).....	1
21	50066943	Stop.....	1
22		Screw, M5 x 10 mm socket head cap.....	1
23	52020646	Handle.....	1
	52062270	Die pin kit (includes two each of 3–5)	
	52062271	Pivot pin kit (includes 7–12)	
	52062272	Seal kit (includes 13, 19, 20)	
	52062273	Ram kit (includes 6, 15–17)	

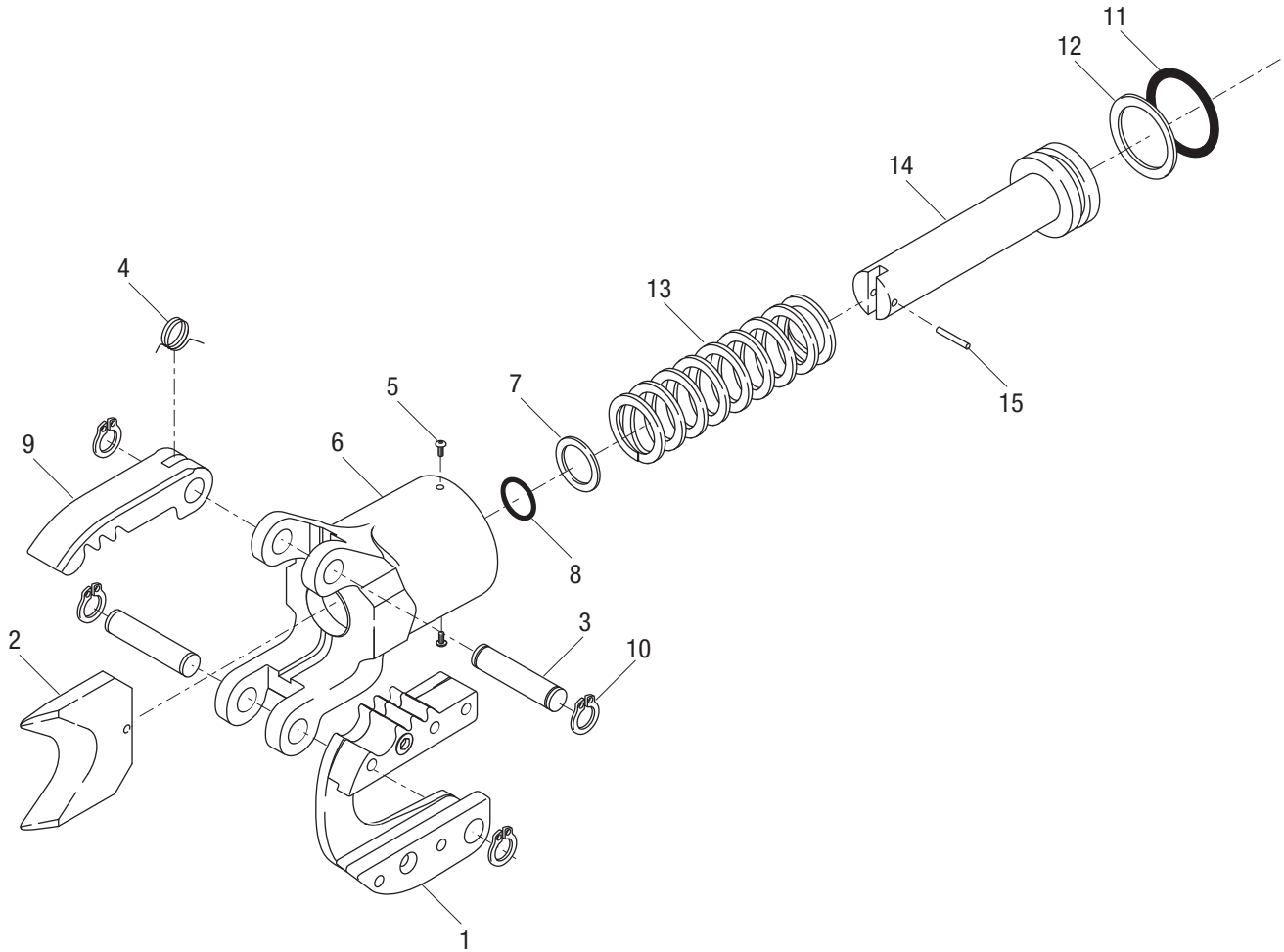
Head and Ram Illustration and Parts List—ESG45L



Key	Part No.	Description	Qty
	50103946	Head and ram unit (includes 1–22)	
1		O-ring (included in 52054906).....	3
2		Piston backup ring (included in 52054906).....	1
3	50041681	Screw	2
4	50058258	Compression spring.....	2
5	50058371	Adapter disk.....	2
6		O-ring (included in 52054906).....	1
7	50103962	Piston	1
8	50103970	Stationary blade	1
9	50103989	Cutting blade.....	1
10	50103997	Screw	4

Key	Part No.	Description	Qty
11	50104004	Snap ring.....	2
12	50104012	Cutting head.....	1
13	50104020	Cutting head base.....	1
14	50106600	Pin, 8 x 20	1
15	50104039	Sleeve.....	2
16	50104047	Pin	1
17	50104055	Guide plate.....	1
18	50104063	Side plate	2
19	50104071	Pull pin.....	1
20	50104080	Brace plate.....	1
21	50104101	Screw	1

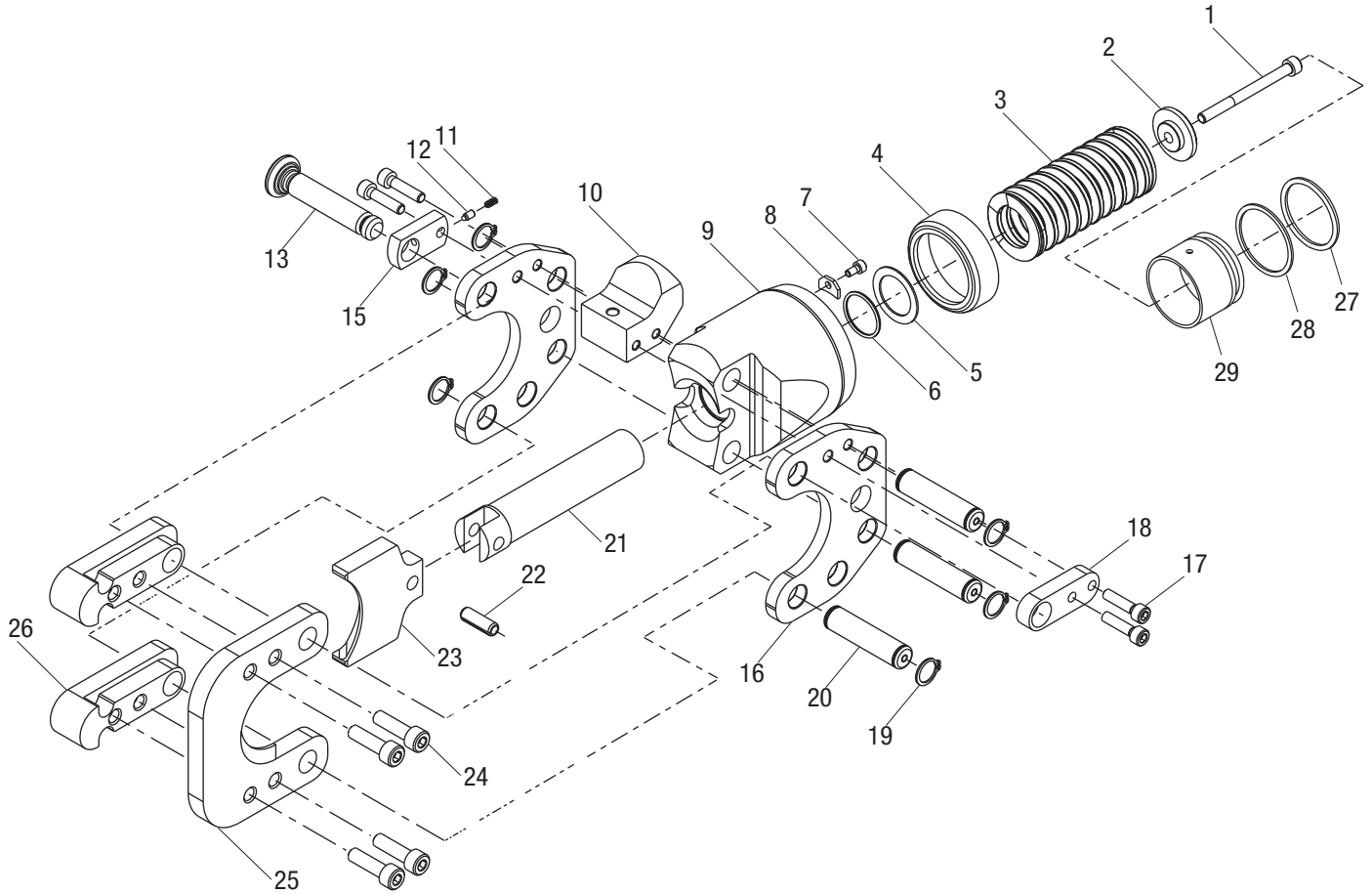
Head and Ram Illustration and Parts List—ESG50L



Key	Part No.	Description	Qty
	50014145	Head unit (includes 1–10)	
1	50041843	Cutting head.....	1
2	50041819	Cutting blade.....	1
3	50041797	Pin	2
4	50041746	Spring.....	1
5	50041681	Screw	2
6	50058240	Cutting head base.....	1
7	50058371	Adapter disk.....	1
8		O-ring (included in 52054906).....	1
9	50041789	Latch	1
10	50034308	Retaining ring	4

Key	Part No.	Description	Qty
11		O-ring (included in 52054906).....	1
12		Piston backup ring (included in 52054906)	1
13	50058258	Compression spring	1
14	50058266	Piston	1
15	50041967	Pin	1

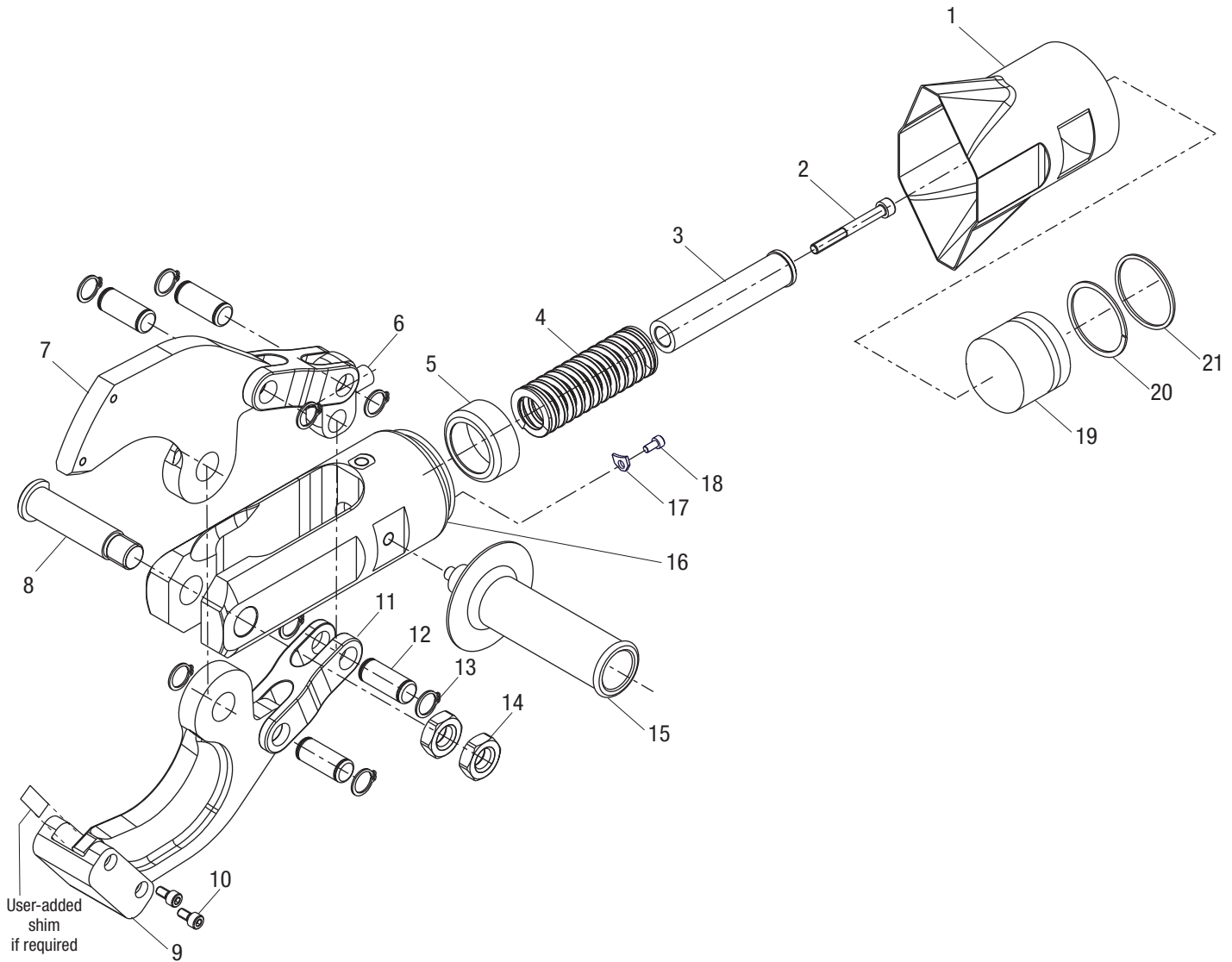
Head and Ram Illustration and Parts List—ESG55L



Key	Part No.	Description	Qty
	52056980	Head and ram unit (includes 1–26)	
1	50066951	Spring bolt.....	1
2	50066900	End cap.....	1
3		Spring.....	1
4		Spring guide.....	1
5		Adapter disk.....	1
6		O-ring (included in 52054906).....	1
7		Screw.....	1
8		Stop.....	1
9		Cutting head base.....	1
10		Handle block.....	1
11		Compression spring.....	1
12		Ball pin indent.....	1
13		Pin assembly.....	1
15		Pin guide.....	1

Key	Part No.	Description	Qty
16		Frame plate.....	2
17		Screw.....	4
18		Spacer.....	1
19		Retaining ring.....	6
20		Pin.....	3
21		Blade holder.....	1
22		Pin.....	1
23		Cutting blade.....	1
24		Screw.....	4
25		Cutting head.....	1
26		Blade guide.....	2
27		O-ring (included in 52054906).....	1
28		Backup ring (included in 52054906).....	1
29	50067796	Piston.....	1

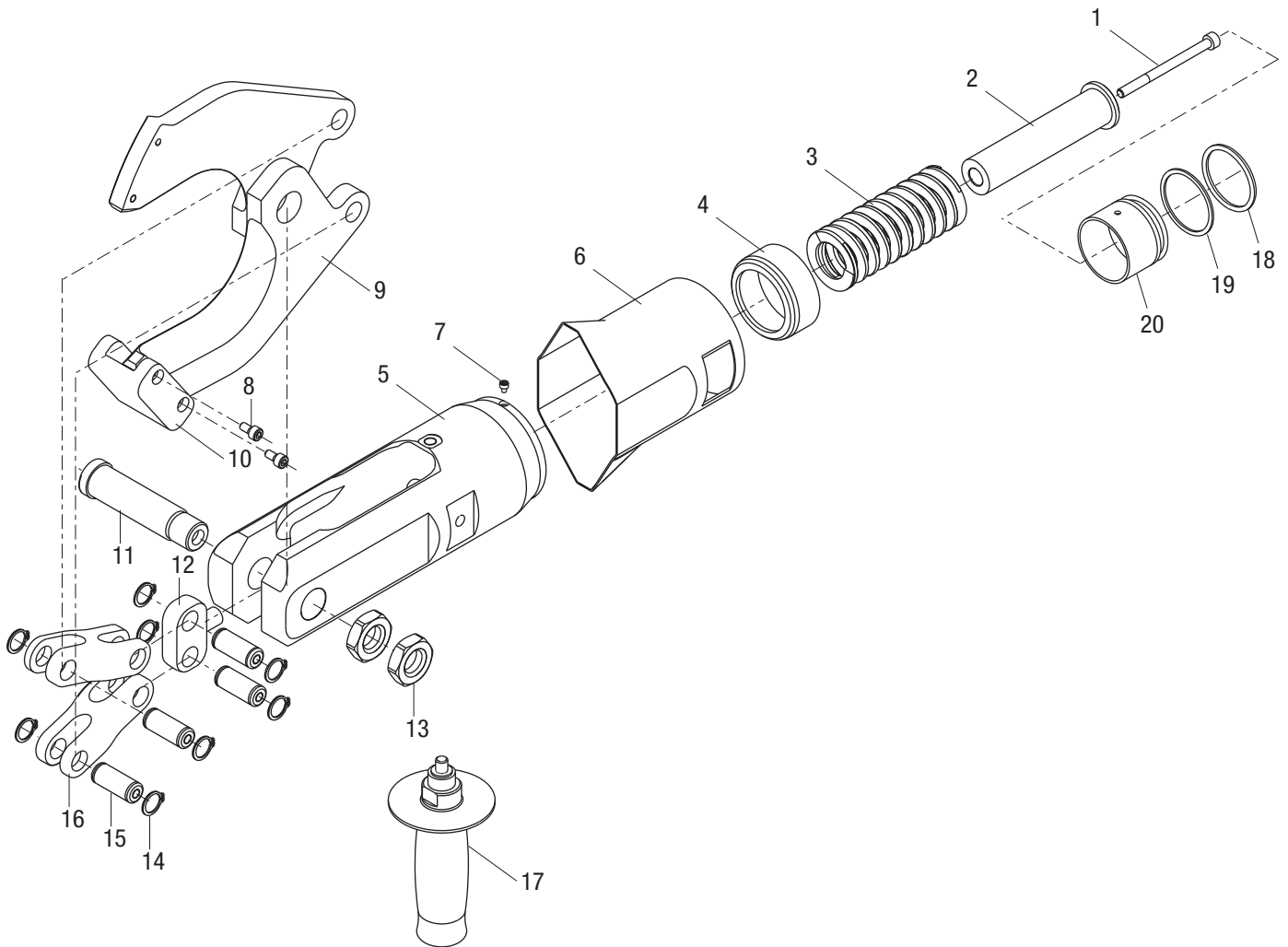
Head and Ram Illustration and Parts List—ESC85L



Key	Part No.	Description	Qty
	52057512	Cutting head (includes 1–18)	
1		Shrink cover	1
2		M6 x 55 mm socket head cap screw	1
3	52020641	Piston rod	1
4	50058258	Return spring	1
5	52057514	Spring cup	1
6		Bearing block	1
7	52057513	Blade	2
8	52020643	Clevis pin	1
9	52046709	Blade guide	1
10	50043676	M5 socket head cap screw	2
11		Link	2

Key	Part No.	Description	Qty
12		Pin	4
13		Retaining ring	8
14	52020644	M16 hex nut	2
15	52020646	Handle	1
16		Yoke	1
17	50066943	Stop	1
18		Screw	1
19	52020648	Piston	1
20		Piston backup ring (included in 52054906)	1
21		O-ring (included in 52054906)	1
	52046857	Pin kit (includes 12,13)	

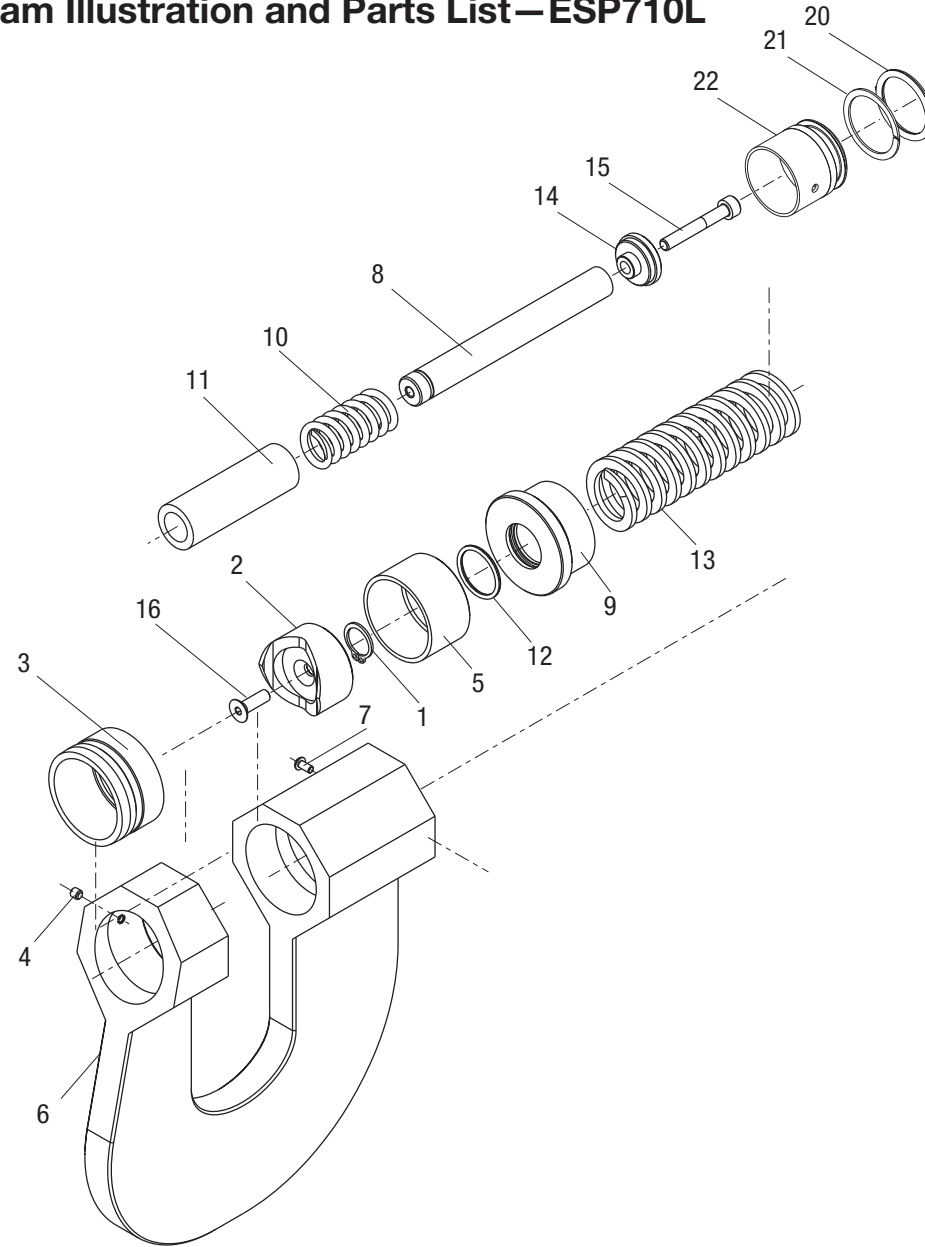
Head and Ram Illustration and Parts List—ESC105L



Key	Part No.	Description	Qty
	52046698	Cutting head (includes 1–16)	
1		Screw	1
2		Piston rod	1
3		Spring	1
4		Cylinder sleeve	1
5		Cutter body	1
6		Tubing	1
7	50019295	Socket head cap screw	1
8		Socket head cap screw	2
9		Cutter blade	2
10		Blade guide	1
11		Pivot pin	1
12		Attachment block	1

Key	Part No.	Description	Qty
13		Hex nut	2
14		Retaining ring	8
15		Pin	4
16		Double fork	2
17	52020646	Handle	1
18		O-ring (included in 52054906)	1
19		Backup ring (included in 52054906)	1
20	50067796	Piston	1
	52046856	Blade kit (includes 8–10)	
	52046857	Pin kit (includes 14, 15)	
	52046858	Attachment block kit (includes 1, 12)	

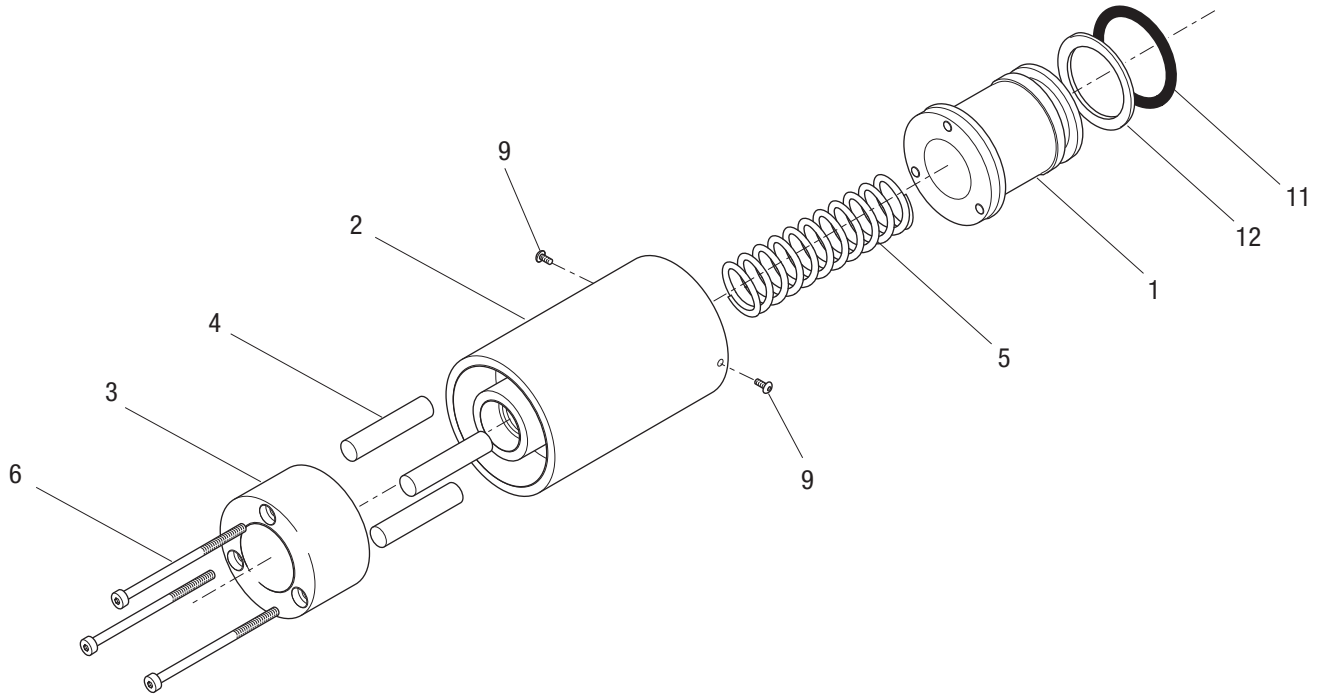
Head and Ram Illustration and Parts List—ESP710L



Key	Part No.	Description	Qty
	52027451	C-Head unit (includes 5–20)	
1	50103431	Retaining ring	1
2	50103440	Punch	1
3	50212974	Die	1
4		Screw	1
5	50103466	Stripper.....	1
6		C-head	1
7		Screw, M4 x 6.....	2
8		Piston	1
9		Bushing	1
10		Spring.....	1

Key	Part No.	Description	Qty
11		Sleeve.....	1
12		O-ring (included in 52054906).....	1
13		Compression spring.....	1
14		End cap	1
15	50121960	Screw	1
16	50103512	Screw	1
20		O-ring (included in 52054906).....	1
21		Backup ring (included in 52054906).....	1
22	52020648	Piston cup	1

Head and Ram Illustration and Parts List—LS60L



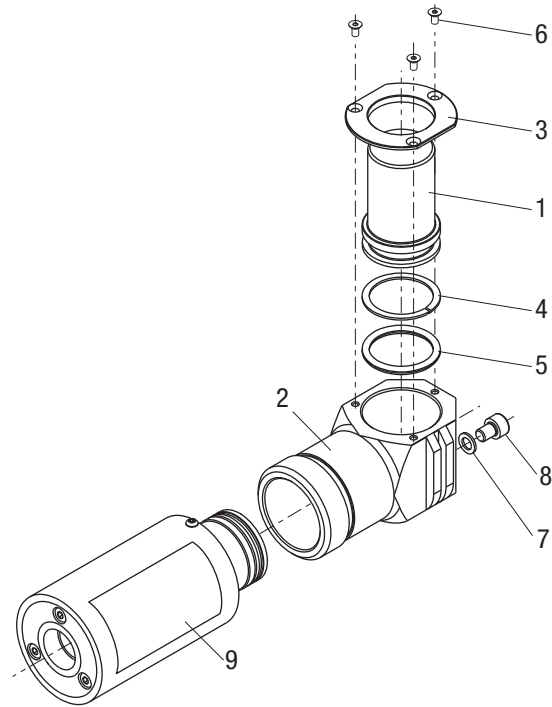
Key	Part No.	Description	Qty
	50017403	Head unit	
1	50058274	Piston	1
2	50058282	Ram housing	1
3	50049267	Ram	1
4	50049275	Spacer	3

Key	Part No.	Description	Qty
5		Compression spring	1
6	50049291	Cap screw, M4 x 60	3
9	50041681	Fillister head screw	2
11		Piston O-ring (included in 52054906).....	1
12		Piston backup ring (included in 52054906).....	1

Accessories—ECCXL and E12CCXL

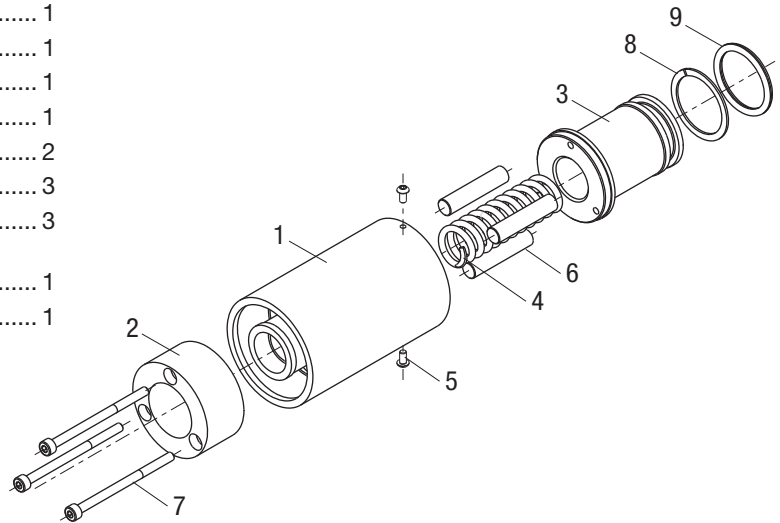
Punch Driver Adapter—UA12P Illustration and Parts List

Key	Part No.	Description	Qty
50118900 Punch driver adapter CCX			
1		Piston	1
2		Housing	1
3		Piston stop ring	1
4		Piston backup ring (included in 52054906)	2
5		O-ring (included in 52054906)	2
6	50041576	Screw	3
7		Lock washer	1
8		Cap screw, M6x8	1
9	50070274	Decal, identification	1
	50017420	Seal kit, UA6P punch adapter (includes 4, 5, 7)	



Cylinder Assembly Illustration and Parts List

Key	Part No.	Description	Qty
50017403 Cylinder assembly			
1	50058282	Ram housing	1
2	50049267	Ram	1
3	50058274	Piston	1
4		Compression spring	1
5	50041681	Screw	2
6	50049275	Spacer	3
7	50049291	Cap screw, M4x60	3
8		Piston backup ring (included in 52054906)	1
9		O-ring (included in 52054906)	1





4455 Boeing Drive • Rockford, IL 61109-2988 • USA • 815-397-7070
An ISO 9001 Company • Greenlee Textron Inc. is a subsidiary of Textron Inc.
www.greenlee.com

USA Tel: 800-435-0786
Fax: 800-451-2632

Canada Tel: 800-435-0786
Fax: 800-524-2853

International Tel: +1-815-397-7070
Fax: +1-815-397-9247