



Company name: -
 Created by: -
 Phone: -
 Fax: -
 Date: -

Position	Count	Description	Unit price
	1	<p>Unilift KP 350 Product No.: 013DC001 Submersible drainage pump</p> <p>Vertical single-stage stainless steel submersible pump with vertical discharge port and integrated submersible 1-phase canned motor in insulation class F with thermal overload protection.</p> <p>The pump is fitted with a suction strainer, a carrying handle and is supplied with a 10 ft mains cable.</p> <p>The impeller is a semi-open impeller for 33 ft. free passage suitable for pumping groundwater, surface water, rain water and similar liquids.</p> <p>The pump has a double shaft seal consisting of two lip seals with grease in-between.</p> <p>The pump has an outer casing ensuring continuous cooling of the motor by the pumped liquid. The rotor shaft operates in two maintenance-free carbon bearings cooled by the pumped liquid.</p> <p>The motor is filled with a non-toxic motor liquid.</p> <p>Liquid: Liquid temperature range: 32 .. 113 °F</p> <p>Technical: Type of impeller: Semi-open Approvals on nameplate: UL Listed, CSA</p> <p>Materials: Pump housing: Stainless steel DIN W.-Nr. 1.4301 AISI 304 Impeller: Stainless steel DIN W.-Nr. 1.4301 AISI 304</p> <p>Installation: Pump outlet: 1 1/4" NPT Maximum installation depth: 32.8 ft</p> <p>Electrical data: Power input - P1: 850 W Main frequency: 60 Hz Rated voltage: 1 x 115 V Rated current: 7.5 A Starting current: 21.4 A Capacitor size - run: 20 µF/250 V Enclosure class (IEC 34-5): 68 Insulation class (IEC 85): F Length of cable: 10 ft Type of cable plug: US</p> <p>Others:</p>	On request



Company name: -
Created by: -
Phone: -
Fax: -
Date: -

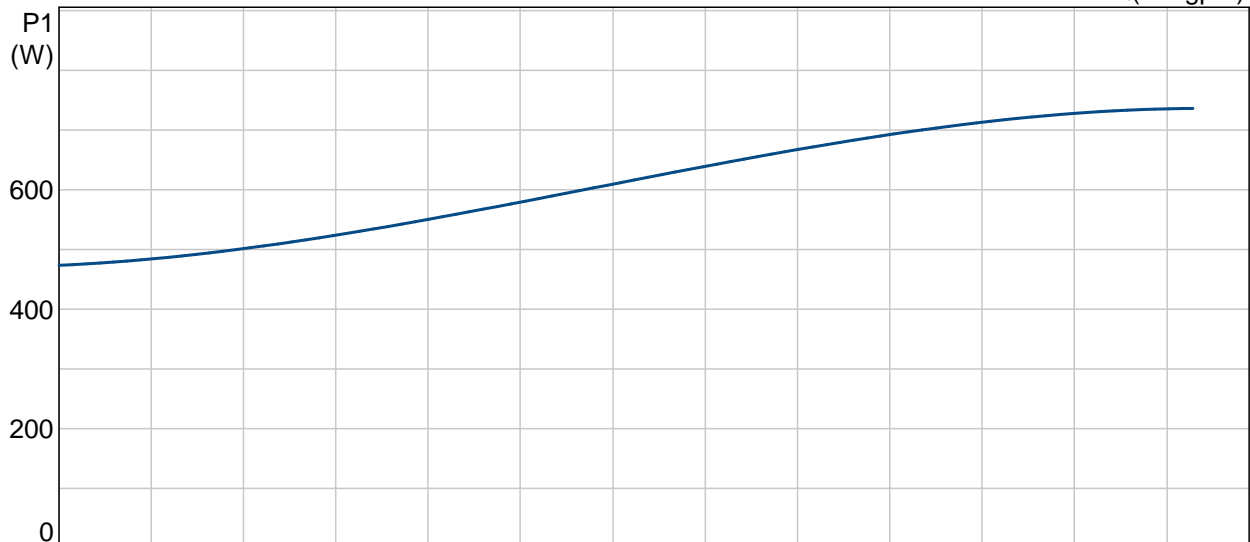
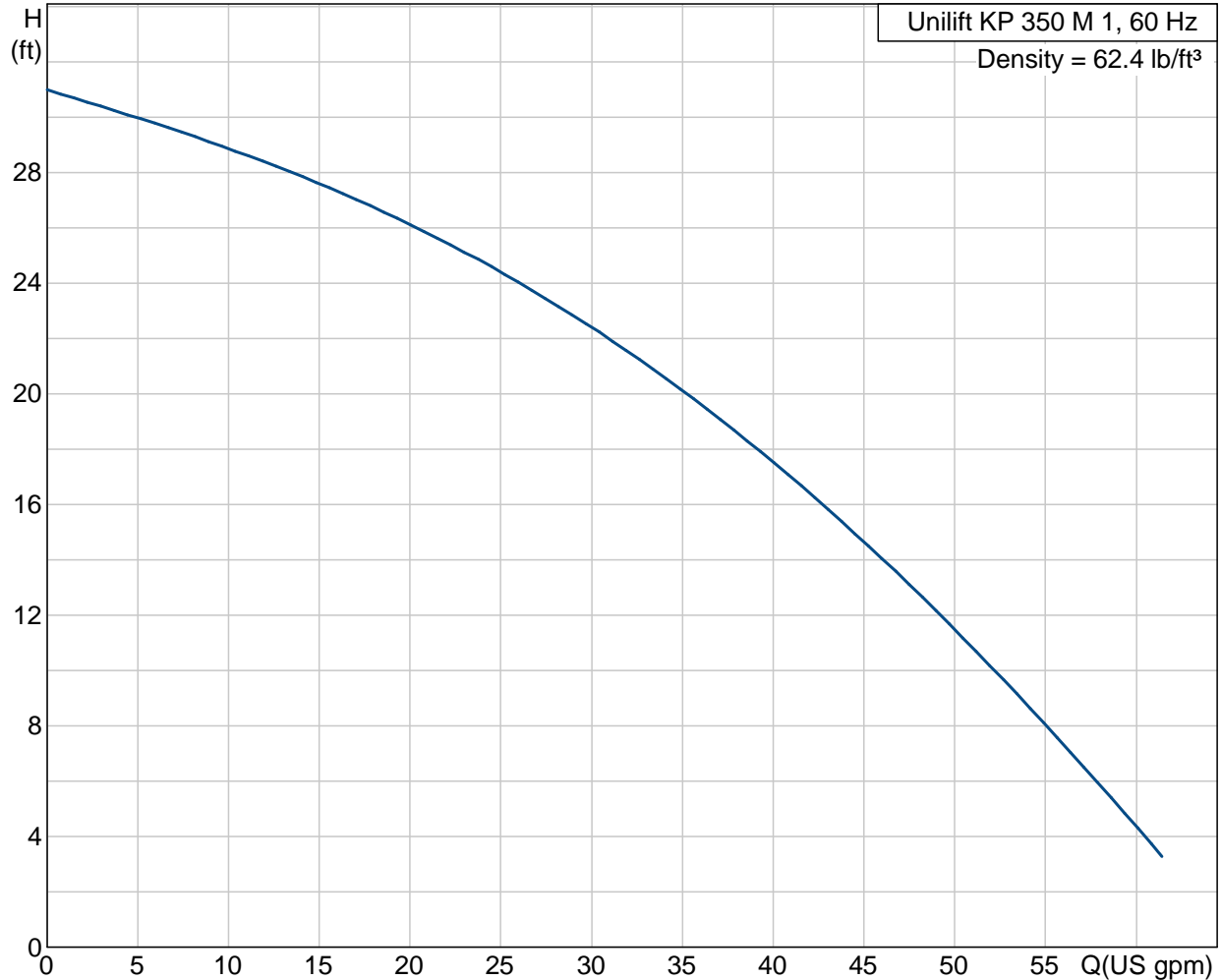
Position	Count	Description	Unit price
		Shipping volume: 0.44 ft ³	



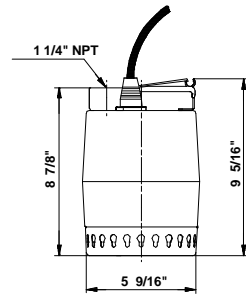
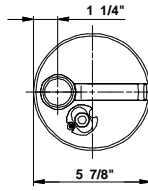
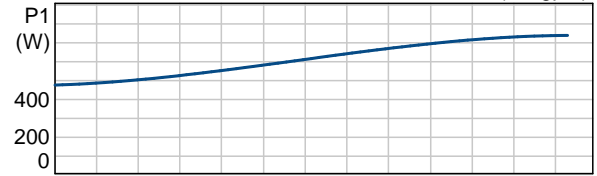
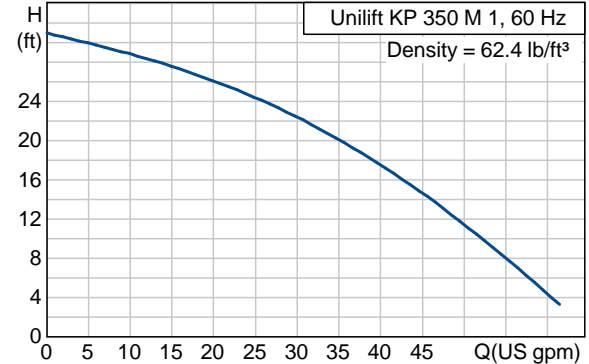
Position	Count	Description	Unit price
	1	<p data-bbox="354 342 511 363">Unilift KP 350</p> <div data-bbox="354 369 730 793" style="border: 1px solid black; text-align: center;">  </div> <p data-bbox="738 766 1234 787">Product photo could vary from the actual product</p> <p data-bbox="354 823 657 877">Product No.: 013DC001 Submersible drainage pump</p> <p data-bbox="354 909 1274 989">Vertical single-stage stainless steel submersible pump with vertical discharge port and integrated submersible 1-phase canned motor in insulation class F with thermal overload protection.</p> <p data-bbox="354 1020 1339 1075">The pump is fitted with a suction strainer, a carrying handle and is supplied with a 10 ft mains cable.</p> <p data-bbox="354 1106 1356 1161">The impeller is a semi-open impeller for 33 ft. free passage suitable for pumping groundwater, surface water, rain water and similar liquids.</p> <p data-bbox="354 1192 1258 1213">The pump has a double shaft seal consisting of two lip seals with grease in-between.</p> <p data-bbox="354 1245 1356 1325">The pump has an outer casing ensuring continuous cooling of the motor by the pumped liquid. The rotor shaft operates in two maintenance-free carbon bearings cooled by the pumped liquid.</p> <p data-bbox="354 1356 852 1377">The motor is filled with a non-toxic motor liquid.</p> <p data-bbox="354 1444 836 1499">Liquid: Liquid temperature range: 32 .. 113 °F</p> <p data-bbox="354 1530 885 1610">Technical: Type of impeller: Semi-open Approvals on nameplate: UL Listed, CSA</p> <p data-bbox="354 1642 917 1843">Materials: Pump housing: Stainless steel DIN W.-Nr. 1.4301 AISI 304 Impeller: Stainless steel DIN W.-Nr. 1.4301 AISI 304</p>	On request

Position	Count	Description	Unit price
		<p>Installation:</p> <p>Pump outlet: 1 1/4" NPT</p> <p>Maximum installation depth: 32.8 ft</p> <p>Electrical data:</p> <p>Power input - P1: 850 W</p> <p>Main frequency: 60 Hz</p> <p>Rated voltage: 1 x 115 V</p> <p>Rated current: 7.5 A</p> <p>Starting current: 21.4 A</p> <p>Capacitor size - run: 20 µF/250 V</p> <p>Enclosure class (IEC 34-5): 68</p> <p>Insulation class (IEC 85): F</p> <p>Length of cable: 10 ft</p> <p>Type of cable plug: US</p> <p>Others:</p> <p>Shipping volume: 0.44 ft³</p>	

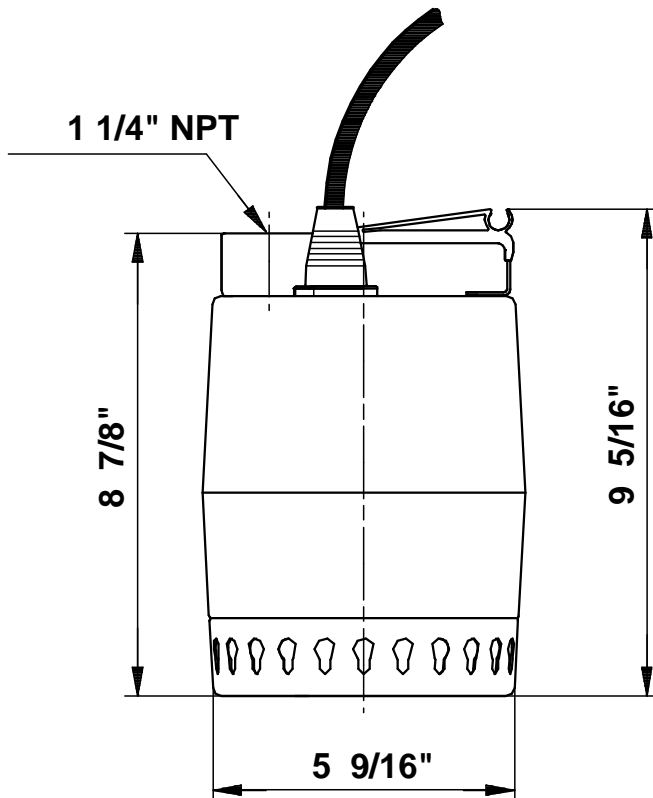
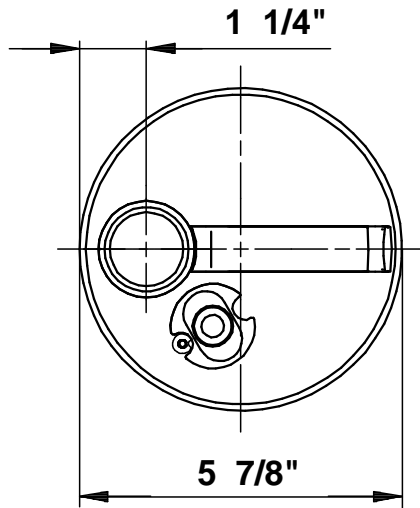
013DC001 Unilift KP 350 M 1 60 Hz



Description	Value
Product name:	Unilift KP 350 M 1
Product Number:	013DC001
EAN number:	5700392956040
Technical:	
Max flow:	61.6 US gpm
Head max:	31.2 ft
Type of impeller:	Semi-open
Approvals on nameplate:	UL Listed, CSA
Materials:	
Pump housing:	Stainless steel DIN W.-Nr. 1.4301 AISI 304
Impeller:	Stainless steel DIN W.-Nr. 1.4301 AISI 304
Installation:	
Pump outlet:	1 1/4" NPT
Maximum installation depth:	32.8 ft
Inst dry/wet:	D/S
Installation	horizontal or vertical
Liquid:	
Liquid temperature range	32 .. 113 °F
Electrical data:	
Power input - P1:	850 W
Main frequency:	60 Hz
Rated voltage:	1 x 115 V
Rated current:	7.5 A
Starting current	21.4 A
Capacitor size - run	20 µF/250 V
Enclosure class (IEC 34-5):	68
Insulation class (IEC 85):	F
Motor protection:	CONTACT
Thermal protec:	internal
Length of cable:	10 ft
Type of cable plug:	US
Others:	
Shipping volume:	0.44 ft³
Sales region:	Namreg

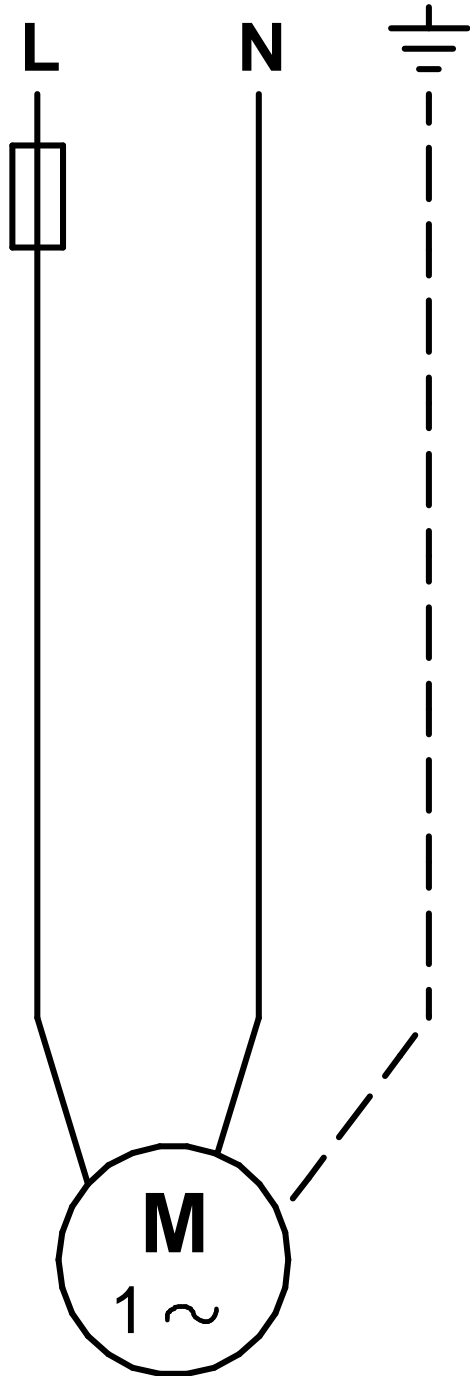


013DC001 Unilift KP 350 M 1 60 Hz



Note! All units are in [mm] unless others are stated.
Disclaimer: This simplified dimensional drawing does not show all details.

013DC001 Unilift KP 350 M 1 60 Hz



All units are [mm] unless otherwise presented.