




Position	Count	Description	Unit price
	-1	<p><b>4.0 LP 5/5.5 U-G-A-BUBE</b></p>  <p>Product photo could vary from the actual product</p> <p>Product No.: 48790052                      Single-stage centrifugal in-line single-head pump.</p> <p>The in-line design with opposite suction and discharge ports enables mounting in pipework or on a concrete foundation.</p> <p>The shaft seal is a corrosion-resistant maintenance-free mechanical seal.</p> <p><b>Liquid:</b>                      Liquid temperature range: 32 .. 284 °F                      Density: 62.4 lb/ft³</p> <p><b>Technical:</b>                      Rated flow: 537 US gpm                      Rated head: 102 ft                      Actual impeller diameter: 5.51 in                      Shaft seal: BUBE</p> <p><b>Materials:</b>                      Pump housing: Cast iron                      EN-JL1040                      ASTM 35 B - 40 B                      Impeller: Stainless steel                      DIN W.-Nr. 1.4301                      AISI 304</p> <p><b>Installation:</b>                      Max pressure at stated temperature: 145 psi / 288 °F                      232 psi / 212 °F                      Flange standard: ANSI                      Pipe connection: 4"                      Pressure stage: 125 Lb.</p> <p><b>Electrical data:</b>                      Number of poles: 2                      Power (P2) required by pump: 20.1 HP                      Main frequency: 60 Hz</p>	On request



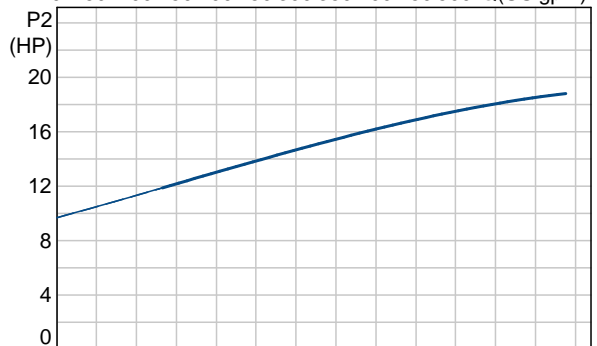
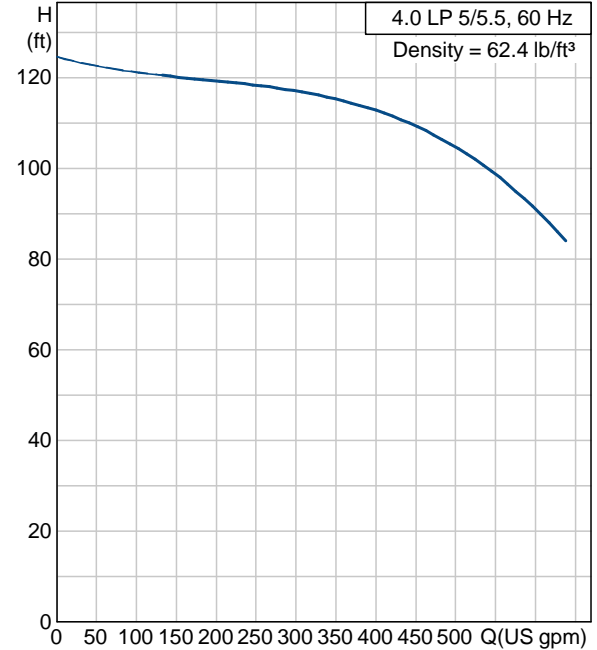
Company name: -  
Created by: -  
Phone: -  
Fax: -  
Date: -

Position	Count	Description	Unit price
		Others: Gross weight: 181 lb Shipping volume: 10.6 ft <sup>3</sup>	

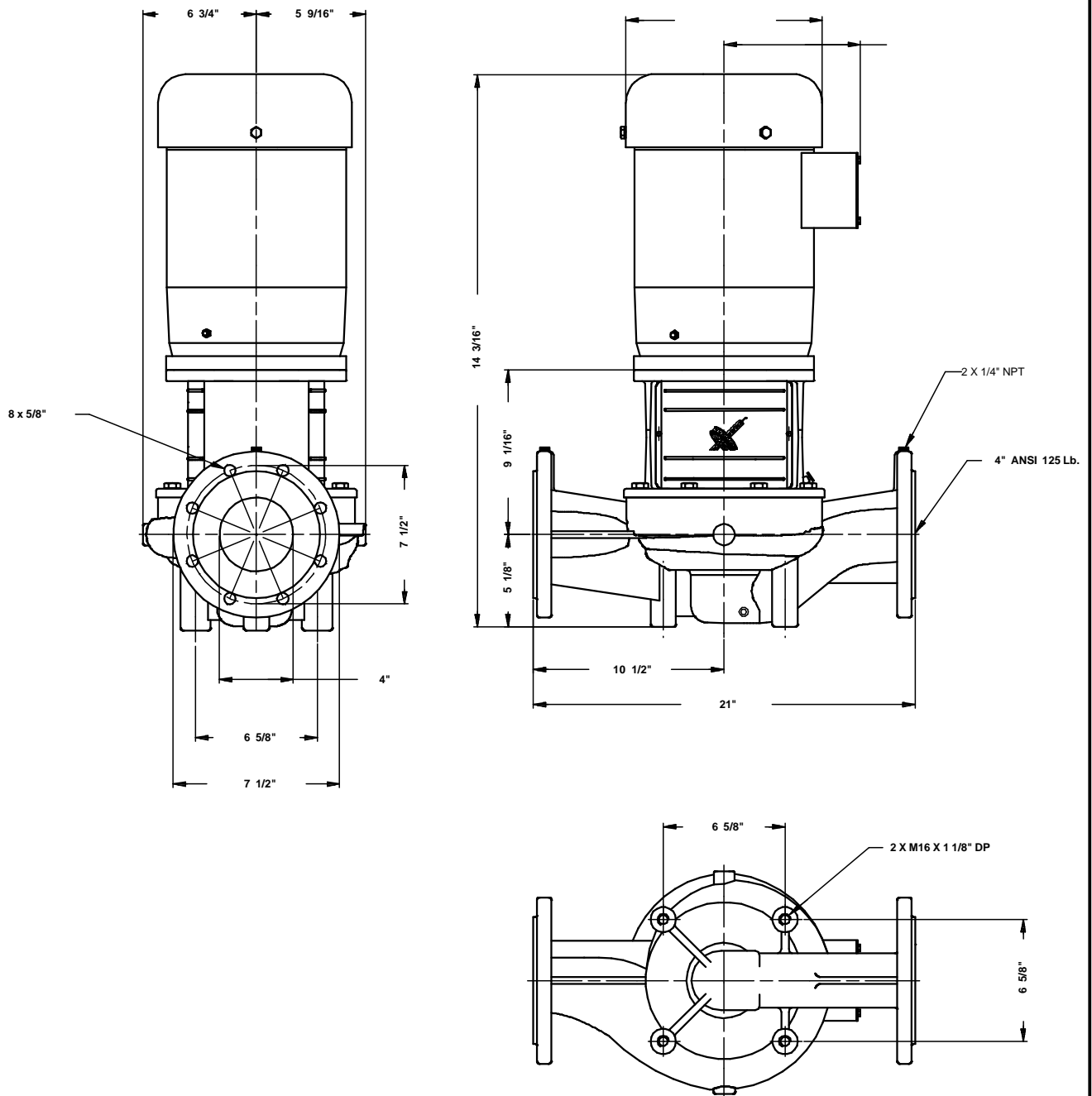


Company name: -  
 Created by: -  
 Phone: -  
 Fax: -  
 Date: -

Description	Value
Product name:	4.0 LP 5/5.5 U-G-A-BUBE U-G-A BUBE
Product Number:	48790052
EAN number:	5700394562270
<b>Technical:</b>	
Rated flow:	537 US gpm
Rated head:	102 ft
Actual impeller diameter:	5.51 in
Shaft seal:	BUBE
Pump version:	U
Model:	C
<b>Materials:</b>	
Pump housing:	Cast iron EN-JL1040 ASTM 35 B - 40 B
Impeller:	Stainless steel DIN W.-Nr. 1.4301 AISI 304
Material code:	A
<b>Installation:</b>	
Max pressure at stated temperature	145 psi / 288 °F 232 psi / 212 °F
Flange standard:	ANSI
Connect code:	G
Pipe connection:	4"
Pressure stage:	125 Lb.
<b>Liquid:</b>	
Liquid temperature range	32 .. 284 °F
Density:	62.4 lb/ft <sup>3</sup>
<b>Electrical data:</b>	
Number of poles:	2
Power (P2) required by pump	20.1 HP
Main frequency:	60 Hz
<b>Others:</b>	
Gross weight:	181 lb
Shipping volume:	10.6 ft <sup>3</sup>
Sales region:	Namreg



**48790052 4.0 LP 5/5.5 60 Hz**



Note! All units are in [mm] unless others are stated.  
 Disclaimer: This simplified dimensional drawing does not show all details.