




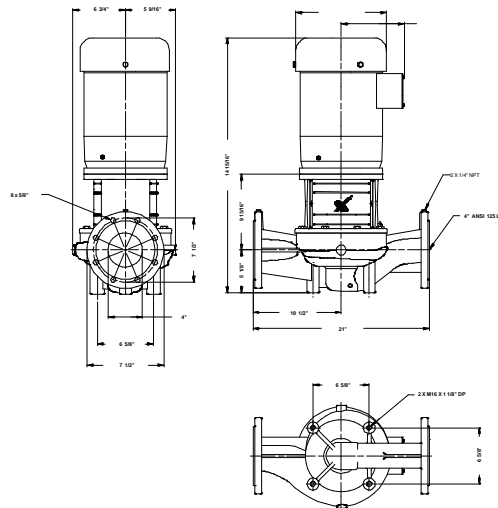
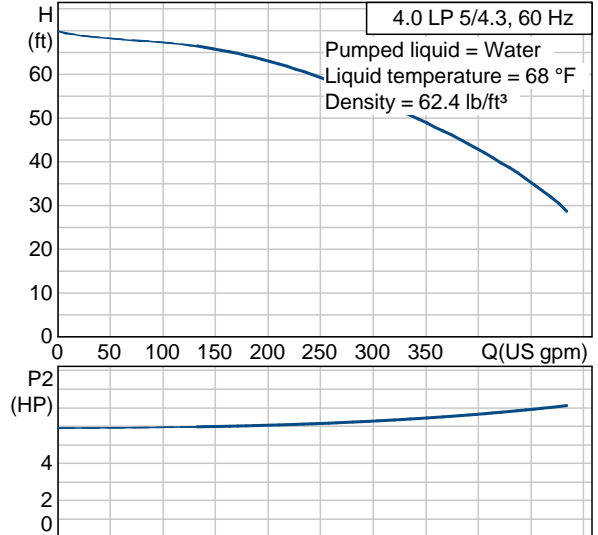
| Position | Count | Description   | Unit price |
|----------|-------|---|------------|
|          | -1    | <p><b>4.0 LP 5/4.3 U-G-A-BUBE</b></p>  <p>Product photo could vary from the actual product</p> <p>Product No.: 48Z90063<br/>                     Single-stage centrifugal in-line single-head pump.</p> <p>The in-line design with opposite suction and discharge ports enables mounting in pipework or on a concrete foundation.</p> <p>The shaft seal is a corrosion-resistant maintenance-free mechanical seal.</p> <p><b>Liquid:</b><br/>                     Liquid temperature range: 32 .. 284 °F<br/>                     Liquid temp: 68 °F<br/>                     Density: 62.4 lb/ft³</p> <p><b>Technical:</b><br/>                     Actual calculated flow: 352 US gpm<br/>                     Resulting head of the pump: 48.9 ft<br/>                     Actual impeller diameter: 4.33 in<br/>                     Shaft seal: BUBE</p> <p><b>Materials:</b><br/>                     Pump housing: Cast iron<br/>                     EN-JL1040<br/>                     ASTM 35 B - 40 B<br/>                     Impeller: Stainless steel<br/>                     DIN W.-Nr. 1.4301<br/>                     AISI 304</p> <p><b>Installation:</b><br/>                     Max pressure at stated temperature: 145 psi / 288 °F<br/>                     232 psi / 212 °F<br/>                     Flange standard: ANSI<br/>                     Pipe connection: 4"<br/>                     Pressure stage: 125 Lb.</p> <p><b>Electrical data:</b><br/>                     Number of poles: 2<br/>                     Power (P2) required by pump: 7.38 HP</p> | On request |



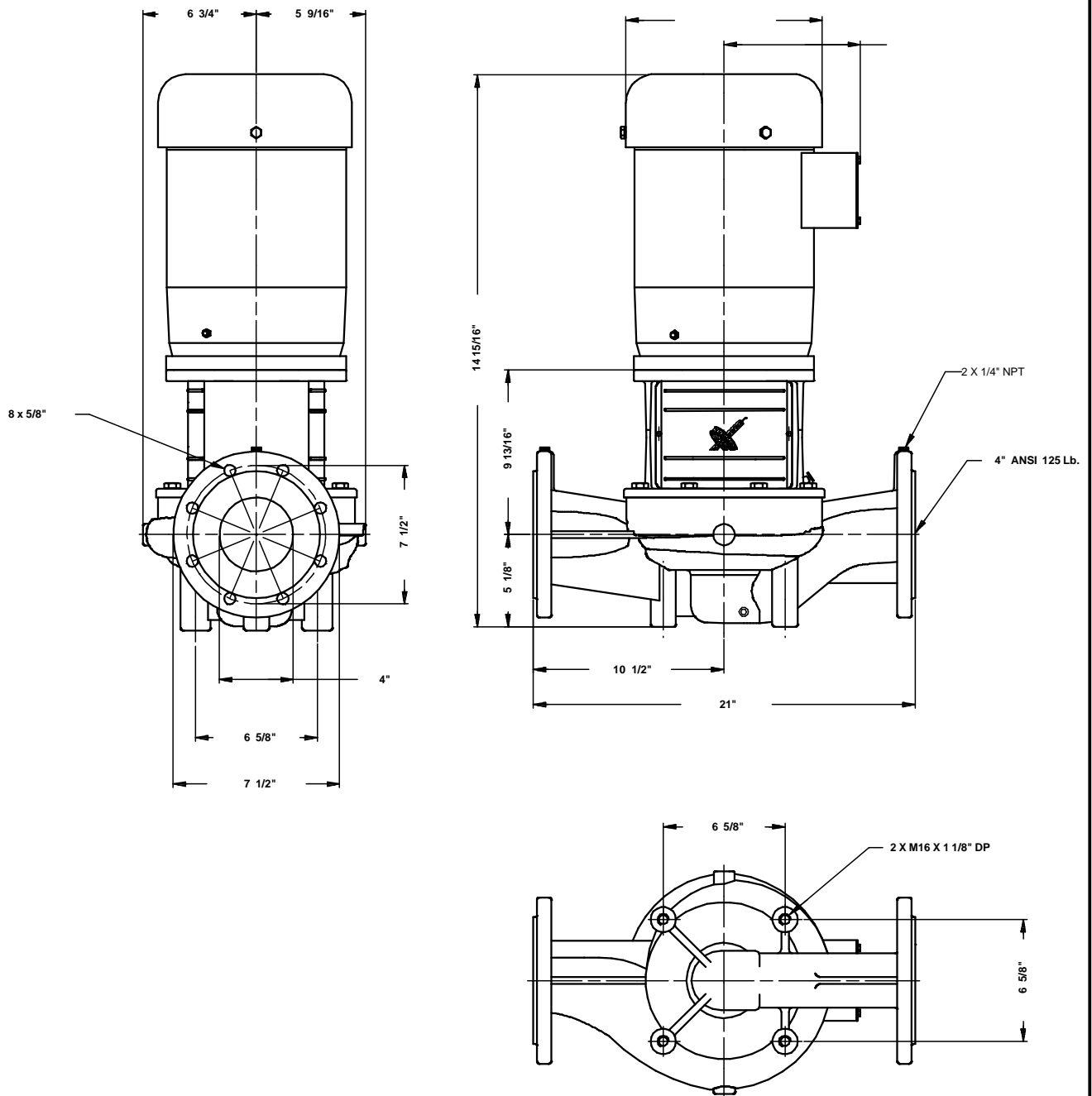
Company name: -  
Created by: -  
Phone: -  
Fax: -  
Date: -

| Position | Count | Description   | Unit price |
|----------|-------|---|------------|
|          |       | Main frequency: 60 Hz<br><br>Others:<br>Gross weight: 156 lb<br>Shipping volume: 10.6 ft <sup>3</sup> |            |

| Description                        | Value  |
|------------------------------------|--|
| Product name:                      | 4.0 LP 5/4.3 U-G-A-BUBE<br>U-G-A BUBE            |
| Product Number:                    | 48Z90063   |
| EAN number:                        | 5700394561716                                    |
| <b>Technical:</b>                  |  |
| Actual calculated flow:            | 352 US gpm                                       |
| Resulting head of the pump:        | 48.9 ft  |
| Actual impeller diameter:          | 4.33 in  |
| Shaft seal:                        | BUBE   |
| Pump version:                      | U  |
| Model:                             | C  |
| <b>Materials:</b>                  |  |
| Pump housing:                      | Cast iron<br>EN-JL1040<br>ASTM 35 B - 40 B       |
| Impeller:                          | Stainless steel<br>DIN W.-Nr. 1.4301<br>AISI 304 |
| Material code:                     | A  |
| <b>Installation:</b>               |  |
| Max pressure at stated temperature | 145 psi / 288 °F<br>232 psi / 212 °F             |
| Flange standard:                   | ANSI   |
| Connect code:                      | G  |
| Pipe connection:                   | 4"   |
| Pressure stage:                    | 125 Lb.  |
| <b>Liquid:</b>                     |  |
| Liquid temperature range           | 32 .. 284 °F                                     |
| Liquid temp:                       | 68 °F  |
| Density:                           | 62.4 lb/ft <sup>3</sup>                          |
| <b>Electrical data:</b>            |  |
| Number of poles:                   | 2  |
| Power (P2) required by pump        | 7.38 HP  |
| Main frequency:                    | 60 Hz  |
| <b>Others:</b>                     |  |
| Gross weight:                      | 156 lb   |
| Shipping volume:                   | 10.6 ft <sup>3</sup>                             |
| Sales region:                      | Namreg   |



**48Z90063 4.0 LP 5/4.3 60 Hz**



Note! All units are in [mm] unless others are stated.  
 Disclaimer: This simplified dimensional drawing does not show all details.