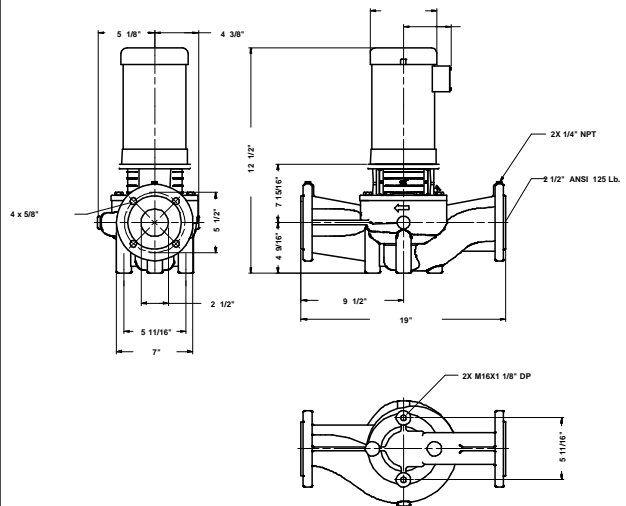
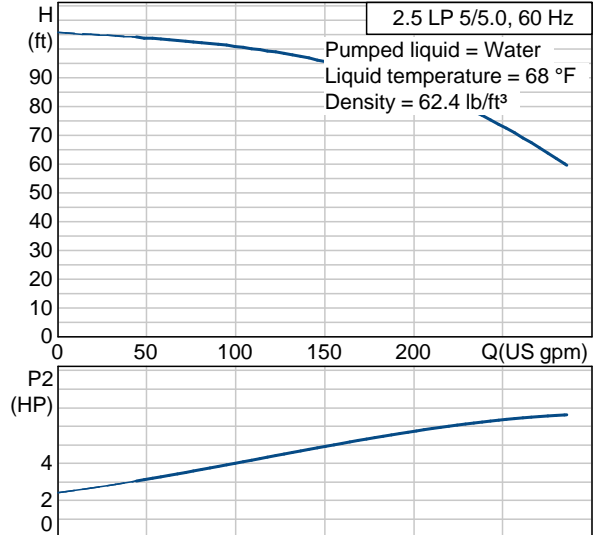




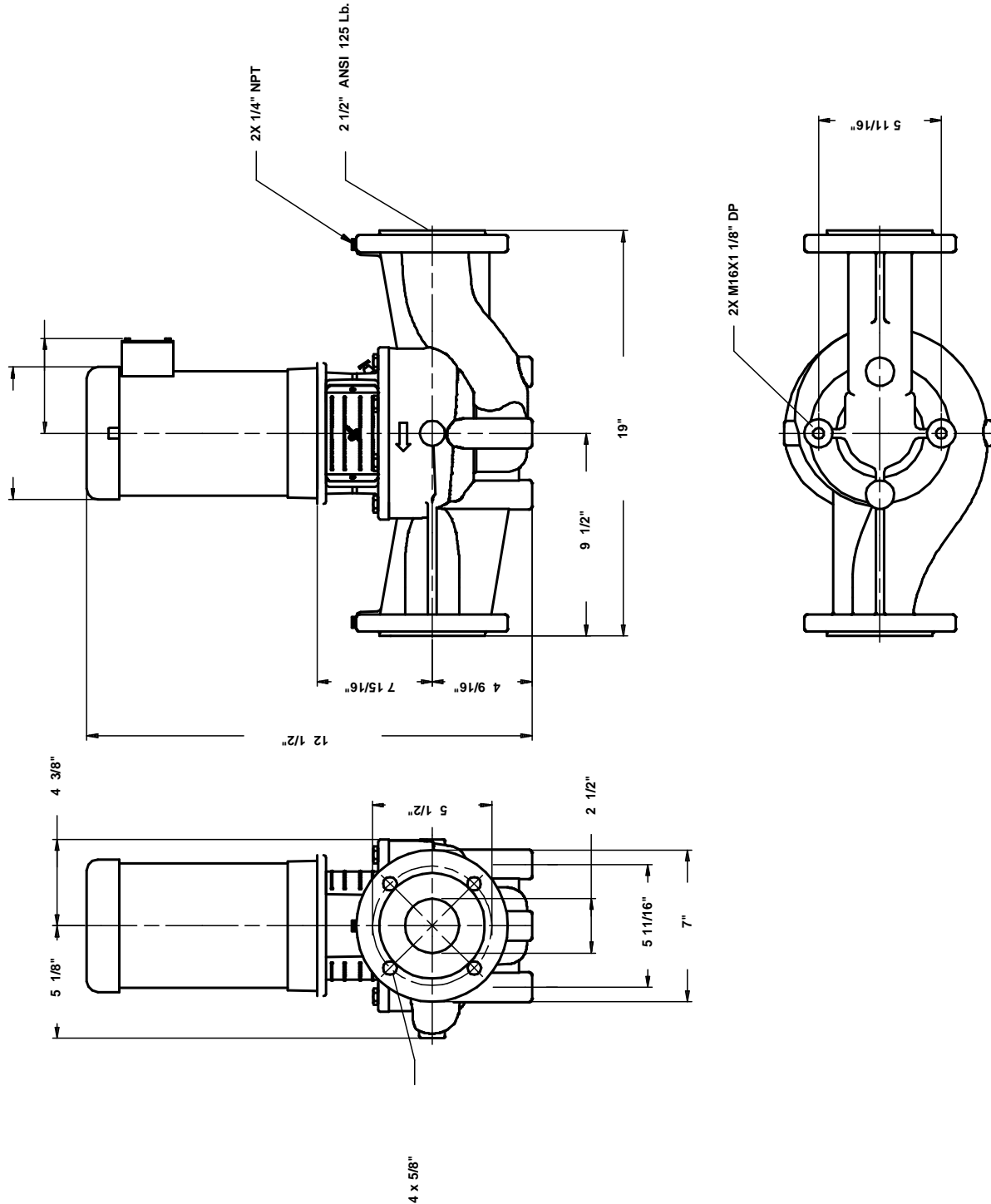
Company name: -
Created by: -
Phone: -
Fax: -
Date: -

| Position | Count | Description | Unit price |
|----------|-------|--|------------|
| | | Main frequency: 60 Hz Others: Gross weight: 97 lb Shipping volume: 10.6 ft ³ | |

| Description | Value |
|------------------------------------|--|
| Product name: | 2.5 LP 5/5.0 U-G-A-BUBE U-G-A BUBE |
| Product Number: | 48Z90119 |
| EAN number: | 5700394561822 |
| Technical: | |
| Actual calculated flow: | 185 US gpm |
| Resulting head of the pump: | 90.1 ft |
| Actual impeller diameter: | 5.04 in |
| Shaft seal: | BUBE |
| Pump version: | U |
| Model: | C |
| Materials: | |
| Pump housing: | Cast iron EN-JL1040 ASTM 35 B - 40 B |
| Impeller: | Stainless steel DIN W.-Nr. 1.4301 AISI 304 |
| Material code: | A |
| Installation: | |
| Max pressure at stated temperature | 145 psi / 288 °F 232 psi / 212 °F |
| Flange standard: | ANSI |
| Connect code: | G |
| Pipe connection: | 2 1/2" |
| Pressure stage: | 125 Lb. |
| Liquid: | |
| Liquid temperature range | 32 .. 284 °F |
| Liquid temp: | 68 °F |
| Density: | 62.4 lb/ft ³ |
| Electrical data: | |
| Number of poles: | 2 |
| Power (P2) required by pump | 7.38 HP |
| Main frequency: | 60 Hz |
| Others: | |
| Gross weight: | 97 lb |
| Shipping volume: | 10.6 ft ³ |
| Sales region: | Namreg |



48Z90119 2.5 LP 5/5.0 60 Hz



Note! All units are in [mm] unless others are stated.
 Disclaimer: This simplified dimensional drawing does not show all details.