




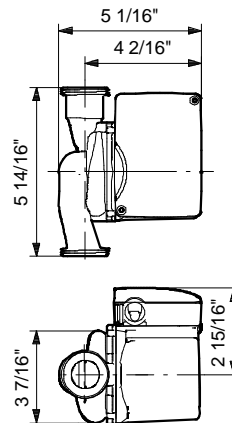
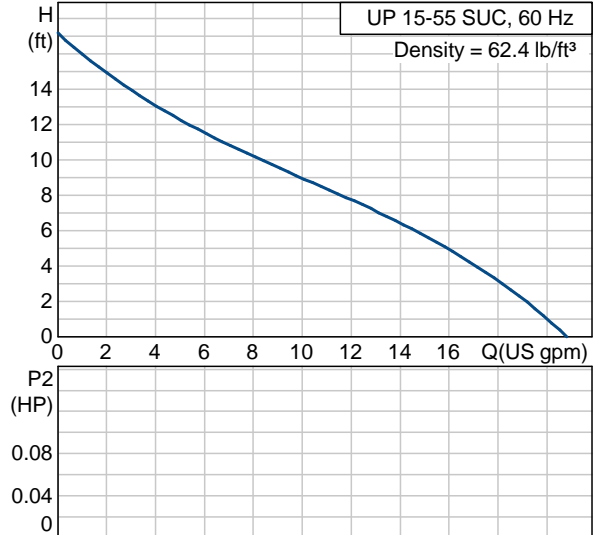
Position	Count	Description	Unit price
	-1	<p>UP 15-55 SUC</p>  <p>Product photo could vary from the actual product</p> <p>Product No.: 59896786 The pump is of the canned rotor type, i.e. pump and motor form an integral unit without shaft seal and with only two gaskets for sealing. The bearings are lubricated by the pumped liquid. The pump is characterized by:</p> <ul style="list-style-type: none"> * Ceramic shaft and radial bearings. * Carbon axial bearing. * Stainless steel rotor can and bearing plate. * Corrosion-resistant impeller, Composite, PES. * Stainless steel pump housing. <p>The motor is a 1-phase motor. No additional motor protection is required.</p> <p>Liquid: Liquid temperature range: 35.6 .. 230 °F Density: 62.4 lb/ft³</p> <p>Technical: Maximum operating pressure: 145 psi Approvals on nameplate: UL, CSA</p> <p>Materials: Pump housing: Stainless steel DIN W.-Nr. 1.4301 AISI 304 Impeller: Composite, PES</p> <p>Installation: Maximum ambient temperature: 104 °F Ambient max at 176°F liquid: 176 °F Maximum operating pressure: 145 psi Flange standard: USA Threaded Type of connection: S.S. Union Pipe connection: 1 1/4" NPSM Pressure stage: 10 Port-to-port length: 5.87 in</p>	On request



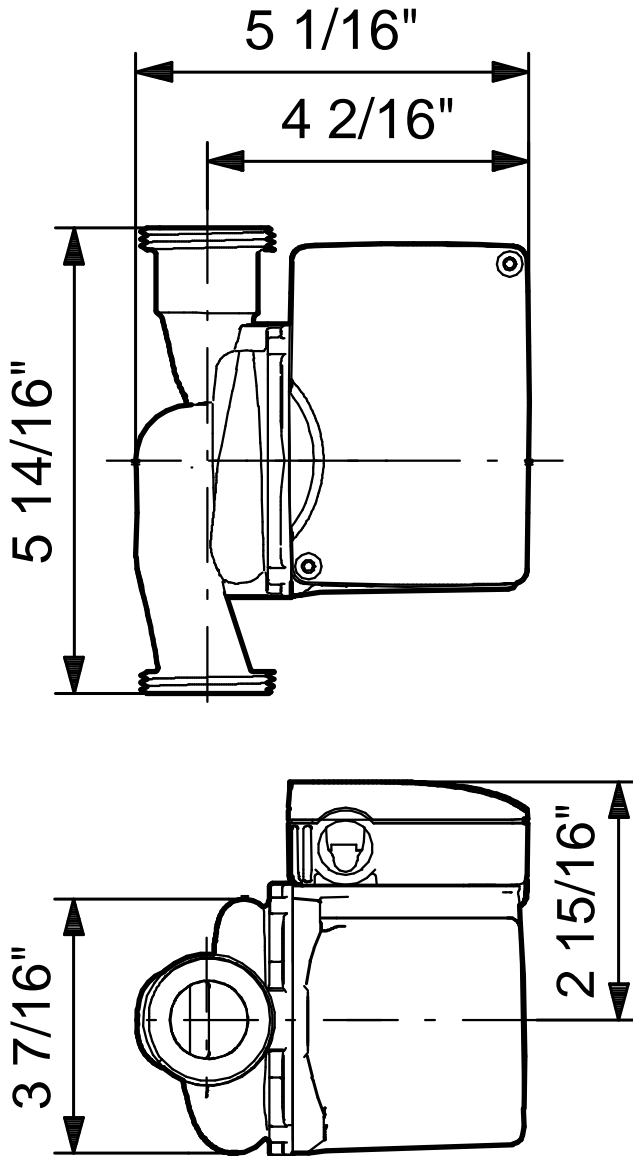
Company name: -
Created by: -
Phone: -
Fax: -
Date: -

Position	Count	Description	Unit price
		<p>Electrical data:</p> <p>Number of poles: 2 Max. power input: 97 W Rated power - P2: 0.134 HP Main frequency: 60 Hz Rated voltage: 1 x 230 V Current in speed 3: 0.42 A Capacitor size - run: 2 µF/400 V Insulation class (IEC 85): F</p> <p>Others:</p> <p>Gross weight: 5.4 lb</p>	

Description	Value
Product name:	UP 15-55 SUC
Product Number:	59896786
EAN number:	5700837428187
Technical:	
Speed Number:	1
Max flow:	21.6 US gpm
Head max:	17.1 ft
Maximum operating pressure	145 psi
Approvals on nameplate:	UL, CSA
Valve:	pump with built-in isolating and non-return valves
Materials:	
Pump housing:	Stainless steel DIN W.-Nr. 1.4301 AISI 304
Impeller:	Composite, PES
Installation:	
Maximum ambient temperature:	104 °F
Ambient max at 176°F liquid	176 °F
Maximum operating pressure	145 psi
Flange standard:	USA Threaded
Type of connection:	S.S. Union
Pipe connection:	1 1/4" NPSM
Pressure stage:	10
Port-to-port length:	5.87 in
Liquid:	
Liquid temperature range	35.6 .. 230 °F
Density:	62.4 lb/ft³
Electrical data:	
Number of poles:	2
Max. power input:	97 W
Rated power - P2:	0.134 HP
Main frequency:	60 Hz
Rated voltage:	1 x 230 V
Current in speed 3	0.42 A
Capacitor size - run	2 µF/400 V
Insulation class (IEC 85):	F
Motor protection:	CONTACT
Thermal protec:	internal
Controls:	
Pos term box:	9H
Others:	
Gross weight:	5.4 lb



59896786 UP 15-55 SUC 60 Hz



Note! All units are in [mm] unless others are stated.
Disclaimer: This simplified dimensional drawing does not show all details.