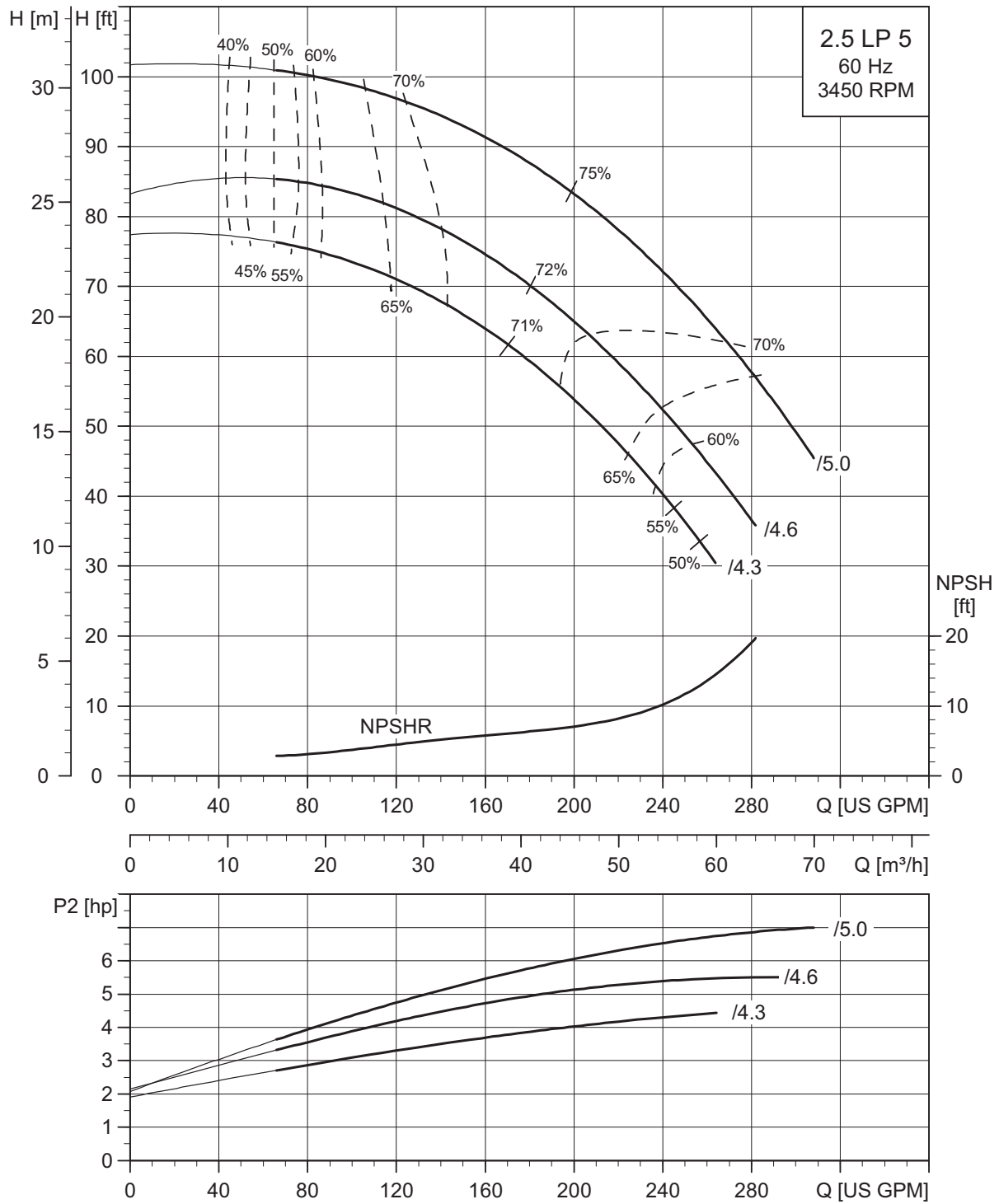
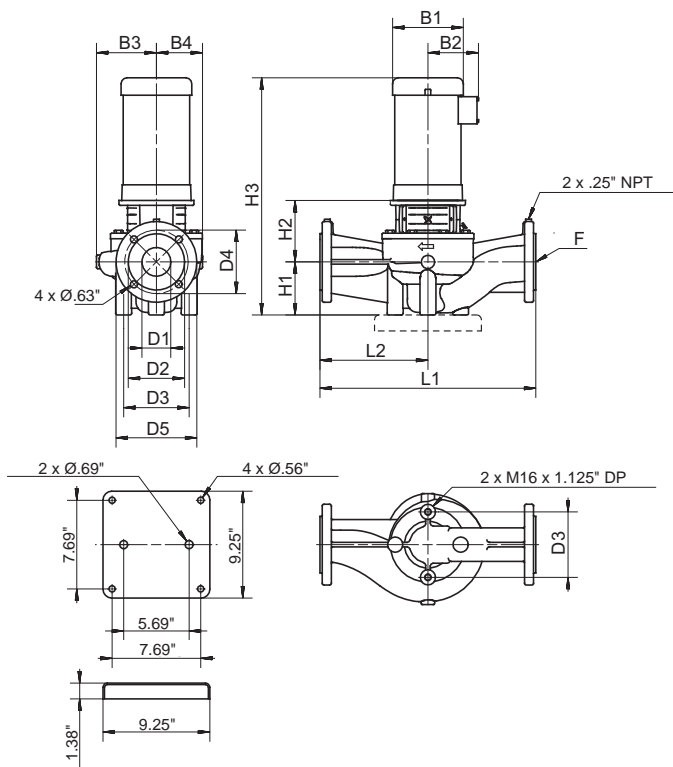


2.5 LP 5/XX



TM02 4972 0211



TM02 4964 0211

Electrical data, weights and dimensions

Pump type	Hp	Mtr S.F.	Ph	NEMA Frame size	Volts	Dimensions [inches (mm)]												Ship. wt. [lbs]	
						D1	D3	D4	D5	B1	B2	B3	B4	H1	H2	H3	L1		L2
2.5 LP 5/4.3	5.0	1.15	1	213TC	208-230	2.50 (64)	5.69 (145)	5.50 (140)	7.00 (178)	10.62 (270)	7.46 (190)	5.13 (130)	4.38 (111)	4.56 (116)	6.00 (152)	25.84 (656)	19.00 (483)	9.50 (241)	209
			3	184TC	208-230/460, 575*	2.50 (64)	5.69 (145)	5.50 (140)	7.00 (178)	8.66 (220)	5.28 (134)	5.13 (130)	4.38 (111)	4.56 (116)	6.00 (152)	26.07 (662)	19.00 (483)	9.50 (241)	185
2.5 LP 5/4.6	5.0	1.15	1	213TC	208-230	2.50 (64)	5.69 (145)	5.50 (140)	7.00 (178)	10.62 (270)	7.46 (190)	5.13 (130)	4.38 (111)	4.56 (116)	6.00 (152)	25.84 (656)	19.00 (483)	9.50 (241)	214
			3	184TC	208-230/460, 575*	2.50 (64)	5.69 (145)	5.50 (140)	7.00 (178)	8.66 (220)	5.28 (134)	5.13 (130)	4.38 (111)	4.56 (116)	6.00 (152)	26.07 (662)	19.00 (483)	9.50 (241)	185
2.5 LP 5/5.0	7.5	1.15	1	213TC	208-230	2.50 (64)	5.69 (145)	5.50 (140)	7.00 (178)	10.23 (260)	7.62 (194)	5.13 (130)	4.38 (111)	4.56 (116)	6.00 (152)	25.84 (656)	19.00 (483)	9.50 (241)	221
			3	215TC	208-230/460, 575*	2.50 (64)	5.69 (145)	5.50 (140)	7.00 (178)	10.23 (260)	8.06 (205)	5.13 (130)	4.38 (111)	4.56 (116)	6.00 (152)	25.84 (656)	19.00 (483)	9.50 (241)	201

Technical data

Nominal flow range	60 - 300 U.S. gpm
Min. flow rate	15 U.S. gpm
Head range	30 - 102 ft
Motors	TEFC (standard) / ODP (optional)
Temp. range [°F (°C)]	+5° to +250° (-15° to +121°)
Max. working pressure	175 psi
Flanges:	2 1/2" ANSI 125 lb. F.F.

*575V available on request.