
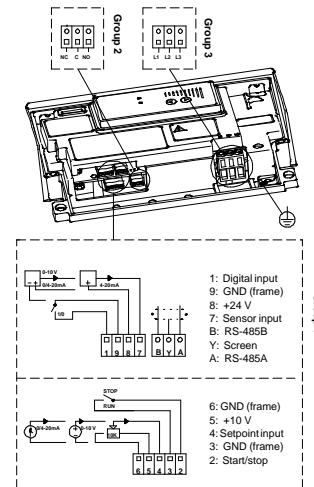
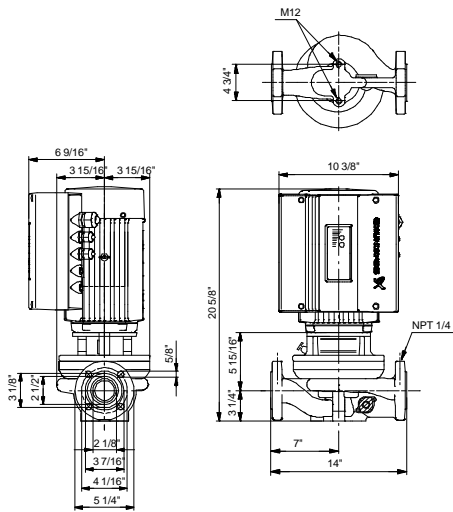
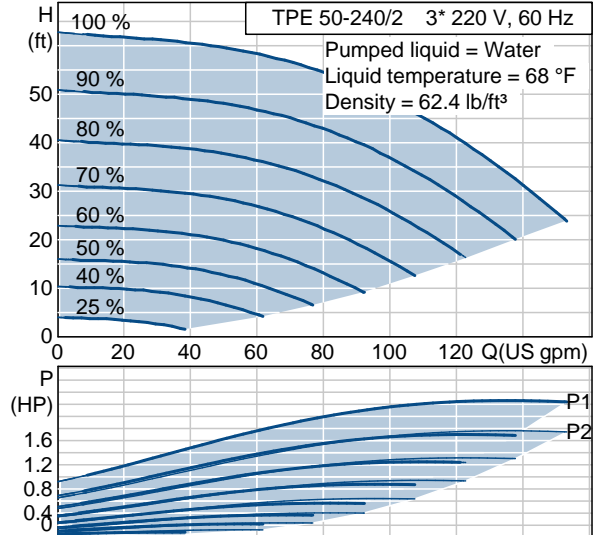


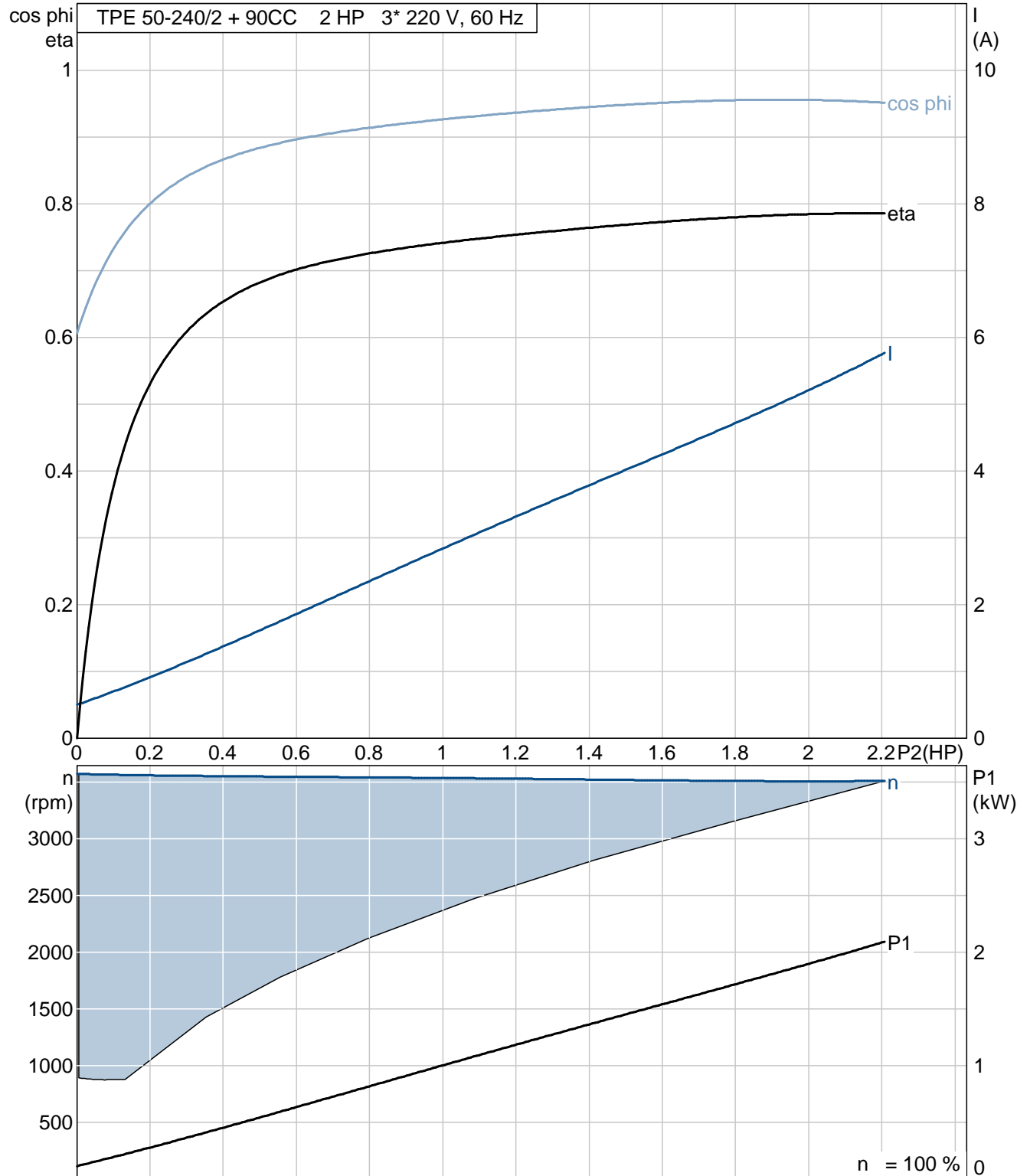
Position	Count	Description	Unit price
	-1	<p data-bbox="342 338 662 367">TPE 50-240/2 U-G-A-BUBE</p> <div data-bbox="354 369 732 703" style="border: 1px solid black; text-align: center;">  </div> <p data-bbox="737 674 1232 703">Product photo could vary from the actual product</p> <p data-bbox="354 732 829 816">Product No.: 91136573 Single-stage, centrifugal, in-line, single-head pump.</p> <p data-bbox="354 846 873 930">The in-line design with opposite suction and discharge ports enables mounting in pipework or on a concrete foundation.</p> <p data-bbox="354 959 756 1016">The shaft seal is a corrosion resistant maintenance-free mechanical seal.</p> <p data-bbox="354 1045 878 1215">The pump is fitted with a three-phase MLE motor with frequency converter and PI-controller integrated in the motor terminal box. No additional motor protection is required as both motor and electronics are protected by integrated overload and temperature protection.</p> <p data-bbox="354 1245 855 1329">External sensor can be connected if controlled pump operation based on for example flow, differential pressure or temperature is required.</p> <p data-bbox="354 1358 886 1472">A control panel enables setting of required setpoint as well as setting of pump to MIN or MAX operation or to STOP. The control panel has indicator lights for "Operation" and "Fault".</p> <p data-bbox="354 1501 909 1642">Communication with the pump is possible by means of Grundfos R100 Remote Control enabling further settings as well as reading out of a number of parameters such as "Actual value", "Speed", "Power input" and total "Power consumption".</p> <p data-bbox="354 1671 912 1871">The terminal box holds terminals for the connection of:</p> <ul style="list-style-type: none"> <li data-bbox="391 1730 854 1759">- Pump start/stop (potential-free contact), <li data-bbox="391 1761 881 1818">- external remote setpoint setting via analog signal, 0 - 5 V, 0 - 10 V, 0(4) - 20 mA, <li data-bbox="391 1820 912 1871">- 5 V voltage supply for setpoint potentiometer, I_{max} = 5 mA, 	On request

Position	Count	Description	Unit price
		<ul style="list-style-type: none"> - sensor, 0 - 5 V, 0 - 10 V, 0(4) - 20 mA, - 24 V voltage supply for sensor, I_{max} = 40 mA, - input for forced control to MIN or MAX (potential-free contact), - potential-free fault signal relay with changeover contact, - RS485 GENIbus. <p>Liquid:</p> <p>Liquid temperature range: 5 .. 284 °F</p> <p>Liquid temp: 68 °F</p> <p>Technical:</p> <p>Actual calculated flow: 96.9 US gpm</p> <p>Resulting head of the pump: 48.2 ft</p> <p>Shaft seal: BUBE</p> <p>Maximum operating pressure: 145 psi</p> <p>Materials:</p> <p>Pump housing: Cast iron EN-JL 1040 ASTM 25 B</p> <p>Impeller: Stainless steel DIN W.-Nr. 1.4301 AISI 304</p> <p>Installation:</p> <p>Maximum ambient temperature: 104 °F</p> <p>Maximum operating pressure: 145 psi</p> <p>Flange standard: US</p> <p>Pipe connection: 2"</p> <p>Pressure stage: 125 psi</p> <p>Flange size for motor: 56C</p> <p>Electrical data:</p> <p>Motor type: 90CC</p> <p>Number of poles: 2</p> <p>Rated power - P2: 2 HP</p> <p>Main frequency: 60 Hz</p> <p>Rated voltage: 3 x 208-230 V</p> <p>Rated current: 5.75 A</p> <p>Cos phi - power factor: 0.95</p> <p>Rated speed: 3460 rpm</p> <p>Enclosure class (IEC 34-5): 55</p> <p>Insulation class (IEC 85): F</p> <p>Others:</p> <p>Gross weight: 103 lb</p>	

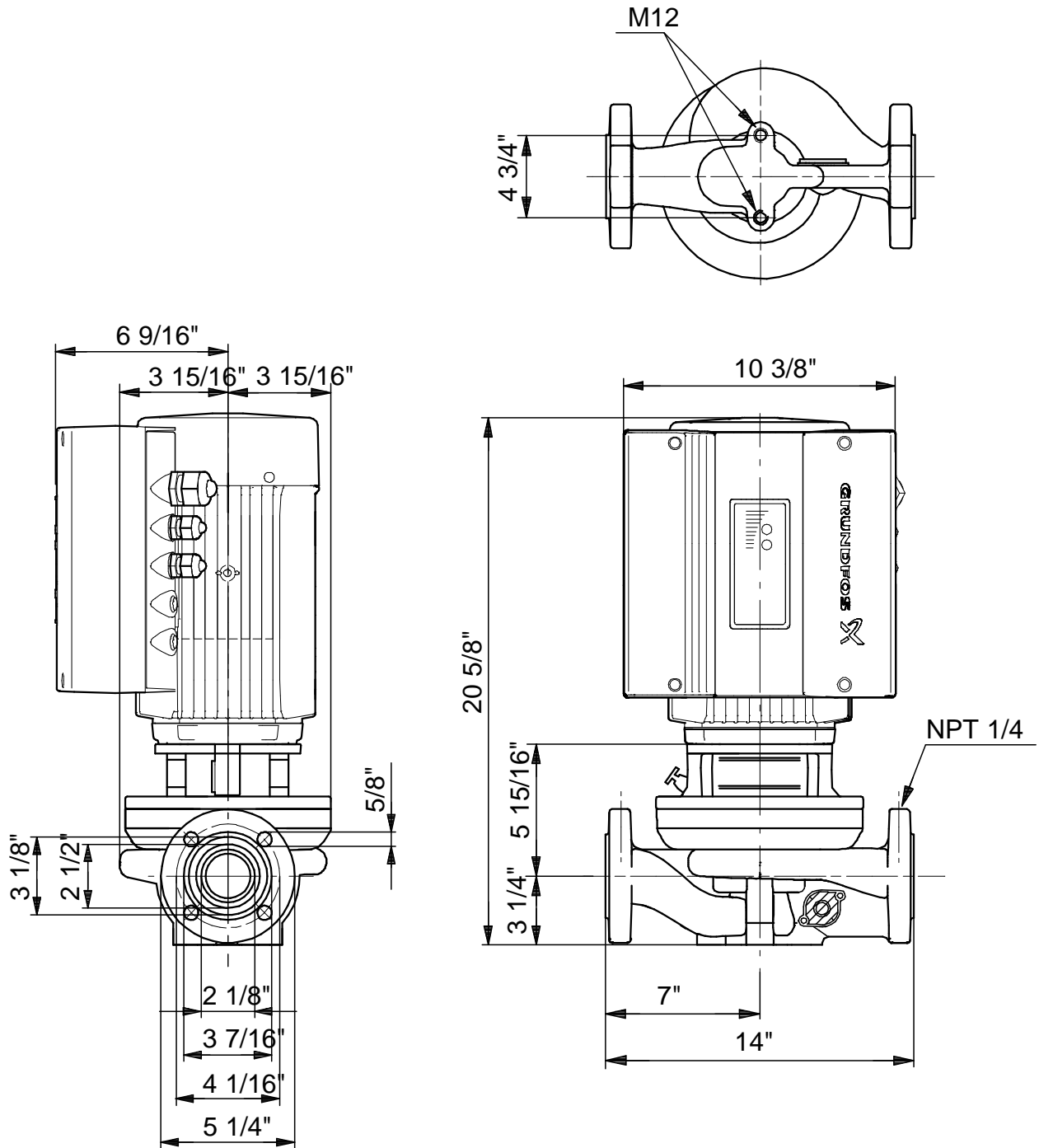
Description	Value
Product name:	TPE 50-240/2 U-G-A-BUBE U-G-A BUBE
Product Number:	91136573
EAN number:	5700838116724
Technical:	
Actual calculated flow:	96.9 US gpm
Resulting head of the pump:	48.2 ft
Head max:	78.7 ft
Shaft seal:	BUBE
Maximum operating pressure:	145 psi
Pump Number:	96405267
Pump version:	U
Materials:	
Pump housing:	Cast iron EN-JL 1040 ASTM 25 B
Impeller:	Stainless steel DIN W.-Nr. 1.4301 AISI 304
Material code:	A
Installation:	
Maximum ambient temperature:	104 °F
Maximum operating pressure:	145 psi
Flange standard:	US
Connect code:	G
Pipe connection:	2"
Pressure stage:	125 psi
Flange size for motor:	56C
Liquid:	
Liquid temperature range:	5 .. 284 °F
Liquid temp:	68 °F
Electrical data:	
Motor type:	90CC
Number of poles:	2
Rated power - P2:	2 HP
Main frequency:	60 Hz
Rated voltage:	3 x 208-230 V
Rated current:	5.75 A
Cos phi - power factor:	0.95
Rated speed:	3460 rpm
Enclosure class (IEC 34-5):	55
Insulation class (IEC 85):	F
Motor protection:	NONE
Motor Number:	85900823
Others:	
Gross weight:	103 lb
Config. file no:	97845357



91136573 TPE 50-240/2 60 Hz

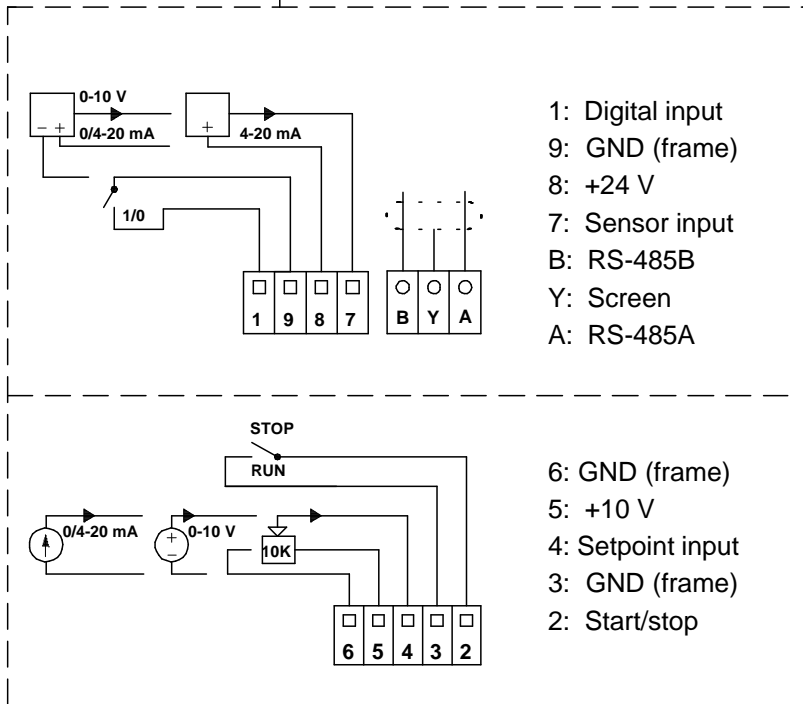
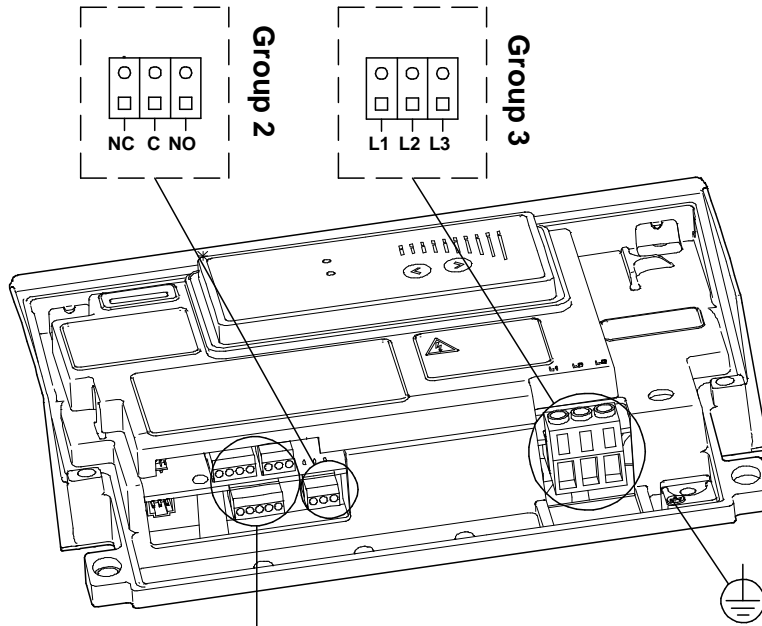


91136573 TPE 50-240/2 60 Hz



Note! All units are in [mm] unless others are stated.
 Disclaimer: This simplified dimensional drawing does not show all details.

91136573 TPE 50-240/2 60 Hz



All units are [mm] unless otherwise presented.