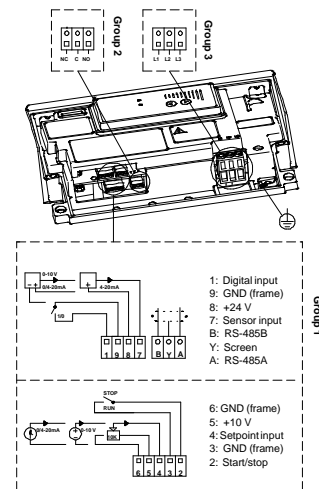
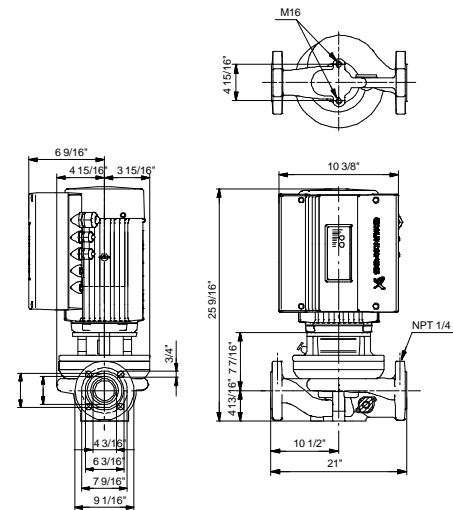
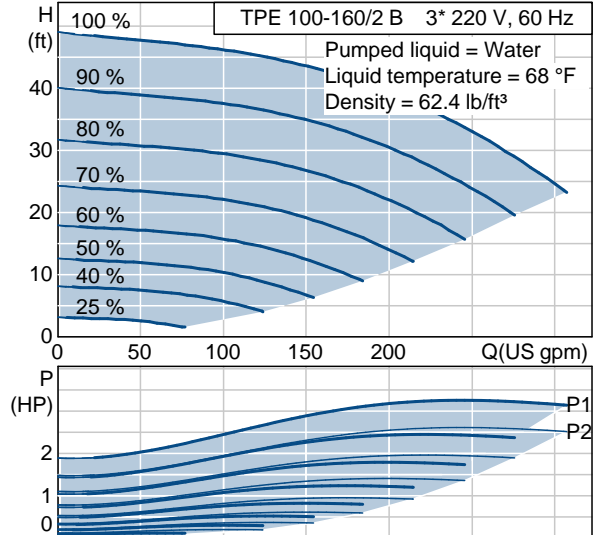




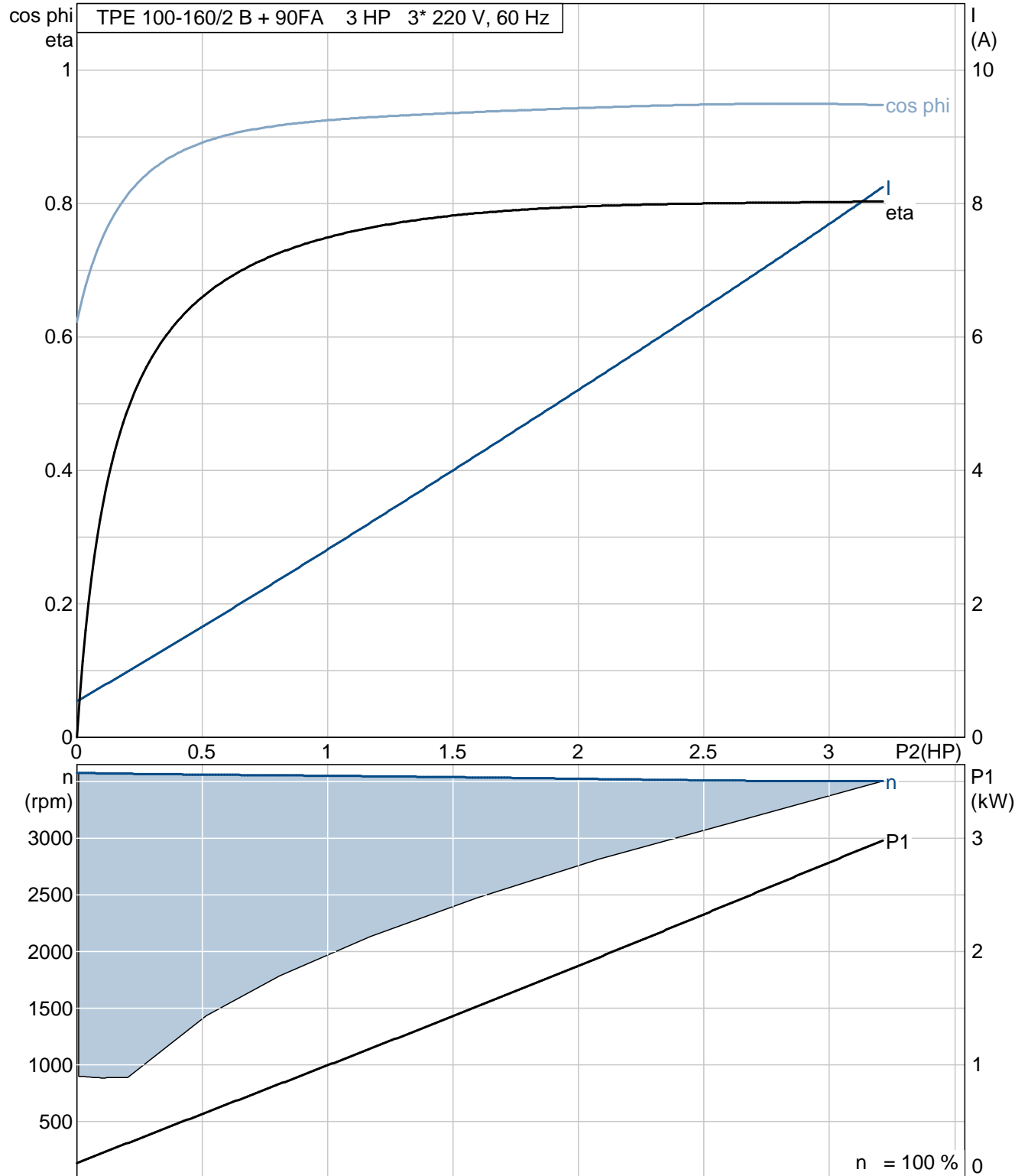
| Position | Count | Description | Unit price |
|----------|-------|---|------------|
| | -1 | <p>TPE 100-160/2 B U-G-Z-BUBE</p>  <p>Product photo could vary from the actual product</p> <p>Product No.: 91136600 Single-stage, centrifugal, in-line, single-head pump.</p> <p>The in-line design with opposite suction and discharge ports enables mounting in pipework or on a concrete foundation.</p> <p>The shaft seal is a corrosion resistant maintenance-free mechanical seal.</p> <p>The pump is fitted with a three-phase MLE motor with frequency converter and PI-controller integrated in the motor terminal box. No additional motor protection is required as both motor and electronics are protected by integrated overload and temperature protection.</p> <p>External sensor can be connected if controlled pump operation based on for example flow, differential pressure or temperature is required.</p> <p>A control panel enables setting of required setpoint as well as setting of pump to MIN or MAX operation or to STOP. The control panel has indicator lights for "Operation" and "Fault".</p> <p>Communication with the pump is possible by means of Grundfos R100 Remote Control enabling further settings as well as reading out of a number of parameters such as "Actual value", "Speed", "Power input" and total "Power consumption".</p> <p>The terminal box holds terminals for the connection of:</p> <ul style="list-style-type: none"> - Pump start/stop (potential-free contact), - external remote setpoint setting via analog signal, 0 - 5 V, 0 - 10 V, 0(4) - 20 mA, - 5 V voltage supply for setpoint potentiometer, I_{max} = 5 mA, | On request |

| Position | Count | Description | Unit price |
|----------|-------|---|------------|
| | | <ul style="list-style-type: none"> - sensor, 0 - 5 V, 0 - 10 V, 0(4) - 20 mA, - 24 V voltage supply for sensor, I_{max} = 40 mA, - input for forced control to MIN or MAX (potential-free contact), - potential-free fault signal relay with changeover contact, - RS485 GENIbus. <p>Liquid: Liquid temperature range: 5 .. 284 °F Liquid temp: 68 °F</p> <p>Technical: Actual calculated flow: 146 US gpm Resulting head of the pump: 43.9 ft Shaft seal: BUBE Maximum operating pressure: 145 psi</p> <p>Materials: Pump housing: Bronze DIN W.-Nr. 2.1050 ASTM B505-C90700 Impeller: Stainless steel DIN W.-Nr. 1.4301 AISI 304</p> <p>Installation: Maximum ambient temperature: 104 °F Maximum operating pressure: 145 psi Flange standard: ANSI Pipe connection: 4" Pressure stage: Class 125 Flange size for motor: 182TC</p> <p>Electrical data: Motor type: 90FA Number of poles: 2 Rated power - P2: 3 HP Main frequency: 60 Hz Rated voltage: 3 x 208-230 V Rated current: 8.3 A Cos phi - power factor: 0.95 Rated speed: 3460 rpm Enclosure class (IEC 34-5): 55 Insulation class (IEC 85): F</p> <p>Others: Gross weight: 185 lb</p> | |

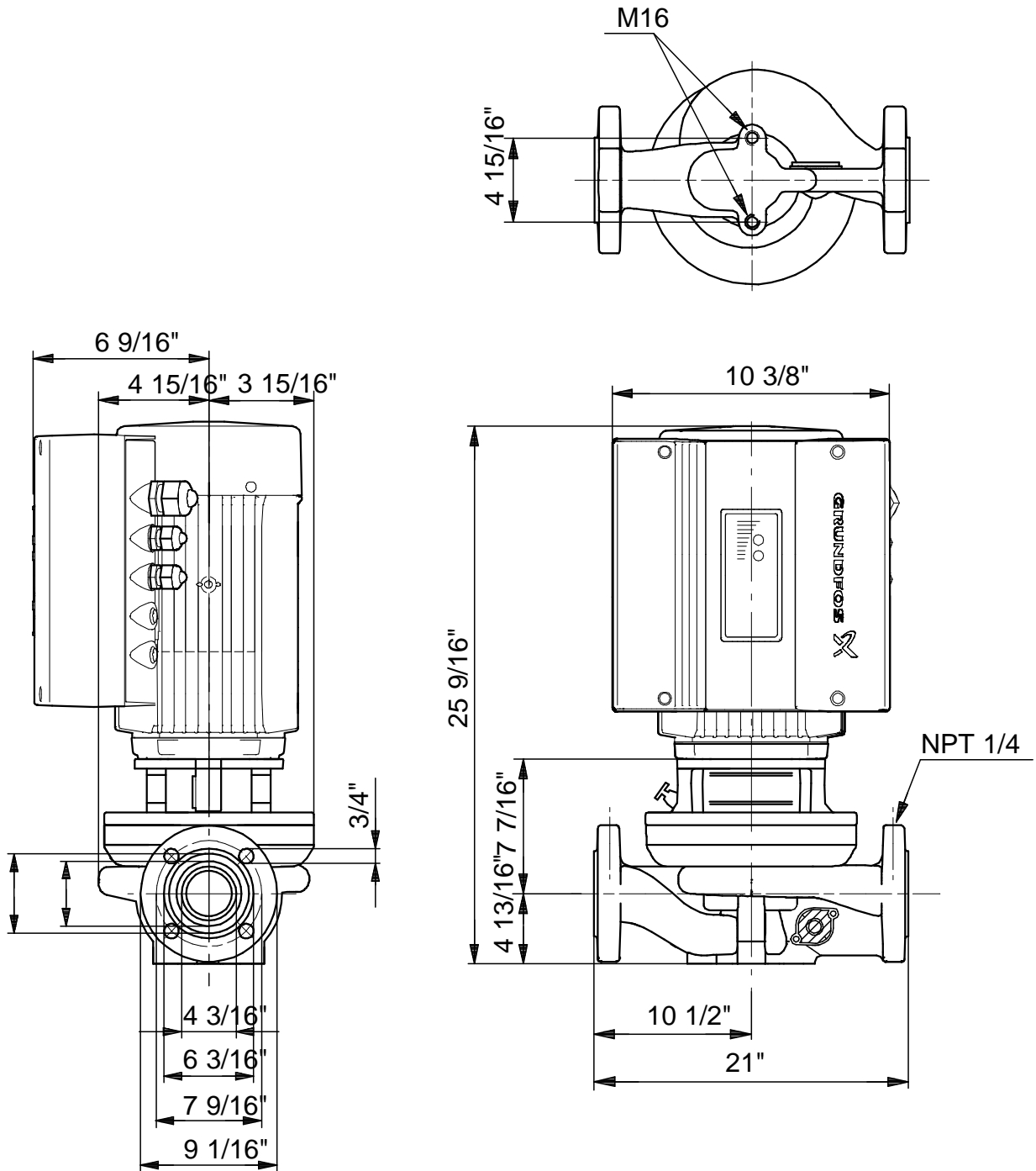
| Description | Value |
|------------------------------|--|
| Product name: | TPE 100-160/2 B U-G-Z-BUBE U-G-Z BUBE |
| Product Number: | 91136600 |
| EAN number: | 5700838117172 |
| Technical: | |
| Actual calculated flow: | 146 US gpm |
| Resulting head of the pump: | 43.9 ft |
| Head max: | 52.5 ft |
| Shaft seal: | BUBE |
| Maximum operating pressure: | 145 psi |
| Pump Number: | 96405362 |
| Pump version: | U |
| Materials: | |
| Pump housing: | Bronze DIN W.-Nr. 2.1050 ASTM B505-C90700 |
| Impeller: | Stainless steel DIN W.-Nr. 1.4301 AISI 304 |
| Material code: | Z |
| Installation: | |
| Maximum ambient temperature: | 104 °F |
| Maximum operating pressure: | 145 psi |
| Flange standard: | ANSI |
| Connect code: | G |
| Pipe connection: | 4" |
| Pressure stage: | Class 125 |
| Flange size for motor: | 182TC |
| Liquid: | |
| Liquid temperature range: | 5 .. 284 °F |
| Liquid temp: | 68 °F |
| Electrical data: | |
| Motor type: | 90FA |
| Number of poles: | 2 |
| Rated power - P2: | 3 HP |
| Main frequency: | 60 Hz |
| Rated voltage: | 3 x 208-230 V |
| Rated current: | 8.3 A |
| Cos phi - power factor: | 0.95 |
| Rated speed: | 3460 rpm |
| Enclosure class (IEC 34-5): | 55 |
| Insulation class (IEC 85): | F |
| Motor protection: | NONE |
| Motor Number: | 85900826 |
| Others: | |
| Gross weight: | 185 lb |
| Config. file no: | 97845377 |



91136600 TPE 100-160/2 B 60 Hz

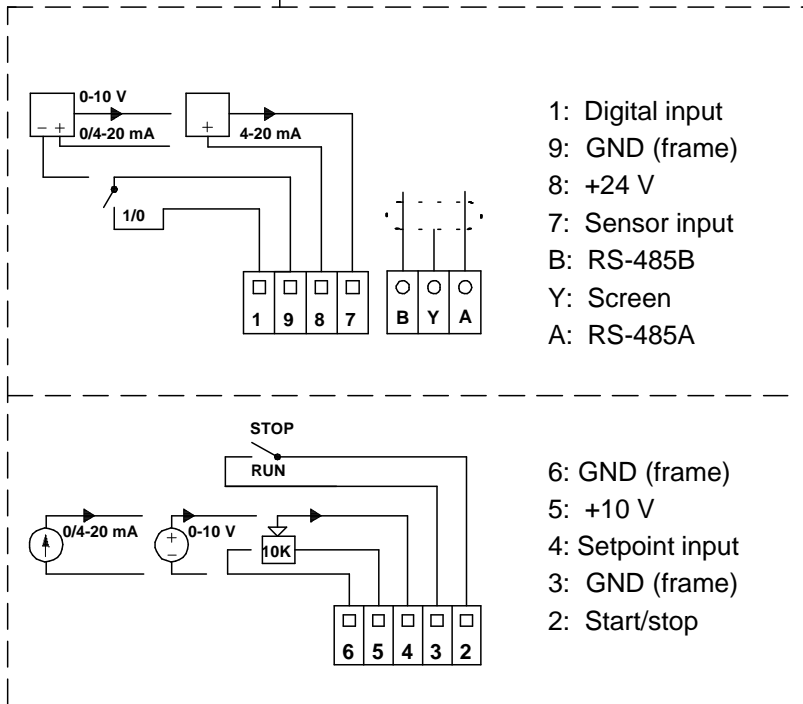
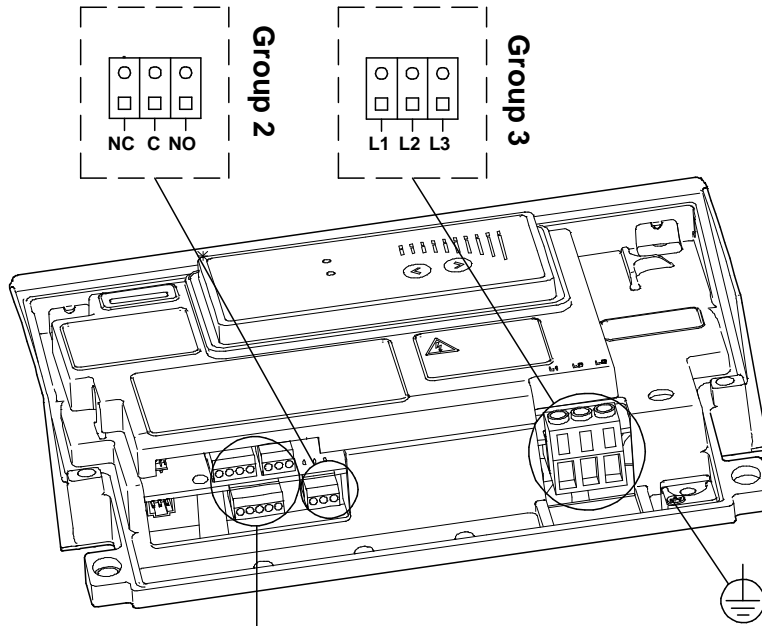


91136600 TPE 100-160/2 B 60 Hz



Note! All units are in [mm] unless others are stated.
 Disclaimer: This simplified dimensional drawing does not show all details.

91136600 TPE 100-160/2 B 60 Hz



All units are [mm] unless otherwise presented.