

CONTENTS

	Page
1. Limited warranty	2
2. Introduction	3
2.1 Safety warning	3
3. Pre-installation checklist	3
3.1 Confirm you have the correct pump	3
3.2 Check the condition of the pump	3
3.3 Verify electrical requirements	3
3.4 Pumped liquid requirements	4
4. Installation procedures	5
4.1 Electrical preparation	5
4.2 Piping considerations	5
4.3 Connect the pump	6
4.4 Electrical connection	6
5. Starting the pump	8
5.1 Vent the piping system	8
5.2 Check the direction of shaft rotation	8
5.3 Speed selection	9
6. Troubleshooting	10
6.1 Fault finding chart	10
6.2 Preliminary checks	11
6.3 Current measurement	12
6.4 Insulation resistance (lead-to-ground)	12
6.5 Winding resistance (line-to-line)	13
6.6 Winding resistance chart	15
7. Replacing components	17
7.1 Removing the pump head	17
7.2 Fitting the pump head	17
7.3 Replacing the terminal box or capacitor	18
8. Disposal	18

Warning

Prior to installation, read these installation and operating instructions. Installation and operation must comply with local regulations and accepted codes of good practice.



This booklet should be left with the owner of the pump for future reference and information regarding its operation.

1. Limited warranty

Products manufactured by GRUNDFOS PUMPS CORPORATION (Grundfos) are warranted to the original user only to be free of defects in material and workmanship for a period of 18 months from date of installation, but not more than 24 months from date of manufacture. Grundfos' liability under this warranty shall be limited to repairing or replacing at Grundfos' option, without charge, F.O.B. Grundfos' factory or authorized service station, any product of Grundfos' manufacture. Grundfos will not be liable for any costs of removal, installation, transportation, or any other charges which may arise in connection with a warranty claim. Products which are sold but not manufactured by Grundfos are subject to the warranty provided by the manufacturer of said products and not by Grundfos' warranty. Grundfos will not be liable for damage or wear to products caused by abnormal operating conditions, accident, abuse, misuse, unauthorized alteration or repair, or if the product was not installed in accordance with Grundfos' printed installation and operating instructions.

To obtain service under this warranty, the defective product must be returned to the distributor or dealer of Grundfos' products from which it was purchased together with proof of purchase and installation date, failure date, and supporting installation data. Unless otherwise provided, the distributor or dealer will contact Grundfos or an authorized service station for instructions.

Any defective product to be returned to Grundfos or a service station must be sent freight prepaid; documentation supporting the warranty claim and/or a Return Material Authorization must be included if so instructed.

GRUNDFOS WILL NOT BE LIABLE FOR ANY INCIDENTAL OR CONSEQUENTIAL DAMAGES, LOSSES, OR EXPENSES ARISING FROM INSTALLATION, USE, OR ANY OTHER CAUSES. THERE ARE NO EXPRESS OR IMPLIED WARRANTIES, INCLUDING MERCHANTABILITY OR FITNESS FOR A PARTICULAR PURPOSE, WHICH EXTEND BEYOND THOSE WARRANTIES DESCRIBED OR REFERRED TO ABOVE.

Some jurisdictions do not allow the exclusion or limitation of incidental or consequential damages and some jurisdictions do not allow limit actions on how long implied warranties may last. Therefore, the above limitations or exclusions may not apply to you. This warranty gives you specific legal rights and you may also have other rights which vary from jurisdiction to jurisdiction.

2. Introduction

2.1 Safety warning

2.1.1 Read this booklet

This booklet is designed to help a certified installer install, begin operation of and troubleshoot the Grundfos UPS pumps. The booklet should be left with the owner of the pump for future reference and information regarding its operation. Should the owner experience any problems with the pump, a certified professional should be contacted.

2.1.2 Electrical work

Warning



All electrical work should be performed by a qualified electrician in accordance with the latest edition of the National Electrical Code, local codes and regulations.

Warning

A faulty motor or wiring can cause electrical shock that could be fatal, whether touched directly or conducted through standing water. For this reason, proper grounding of the pump to the power supply's grounding terminal is required for safe installation and operation.



In all installations, the above-ground metal plumbing should be connected to the power supply ground as described in Article 250-80 of the National Electrical Code.

3. Pre-installation checklist

3.1 Confirm you have the correct pump

- Read the pump nameplate to make sure it is the one you ordered.
- Compare the pump's nameplate data and its performance curve (for head, gpm, etc.) with the application in which you plan to install it.
- Will the pump do what you expect it to do?

3.2 Check the condition of the pump

The shipping carton your pump came in is specially designed around your pump during production to prevent damage.

As a precaution, it should remain in the carton until you are ready to install it. At that point, look at the pump and examine it for any damage that may have occurred during shipping.

Examine any other parts of the shipment as well for any visible damage.

3.3 Verify electrical requirements

Verification of the electrical supply should be made to be certain the voltage, phase and frequency match that of the pump motor. The proper operating voltage and other electrical information can be found on the pump nameplate.

These motors are designed to run on + / - 10 % of the nameplate-rated voltage.

Wiring connection diagrams can be found inside the terminal box cover and later in these Installation and Operating Instructions. If voltage variations are larger than + / - 10 %, do not operate the pump.

3.4 Pumped liquid requirements

CAUTION: The UPS pump is intended for use with water only.

The pump can be used to circulate:

- Potable hot water
- Water for hydronic heating
- Cooling water
- In domestic hot-water systems it is advisable to use bronze pumps (UPS model) only for water with a degree of hardness lower than 14 grains per gallon of hardness. For water with a higher degree of hardness, a direct-coupled Grundfos TP pump is recommended.
- If the pump is installed in a heating system, the water should meet the requirements of accepted standards on water quality in heating systems.

The pump is lubricated and cooled by the liquid being pumped. Therefore, the pumped liquid must always be allowed to circulate through the pump. Extended periods without circulation will cause premature wear to the bearings and excessive motor heat. The pumped liquid must also meet the following requirements:

Minimum pump inlet pressure (during operation)

UPS model	At these liquid temperatures					
	167°F/75°C		194°F/90°C		230°F/110°C	
	[psi]	hf	[psi]	hf	[psi]	hf
32-40/4	0.7	1.6	2.2	5.1	21.0	48.5
32-80/2	0.7	1.6	5.1	11.8	23.9	55.2
32-160/2	11.6	26.8	16.0	37.0	34.1	78.8
40-40/4	0.7	1.6	4.4	10.2	23.2	53.6
40-80/4	0.7	1.6	1.5	3.5	18.1	41.8
40-80/2	6.5	15.0	10.9	25.2	29.0	67.0
40-160/2	5.1	11.8	9.4	21.7	27.6	63.8
40-240/2	11.6	26.8	16.0	37.0	34.1	78.8
50-40/4	0.7	1.6	2.9	6.7	21.8	50.4
50-80/4	0.7	1.6	4.4	10.2	23.2	53.6
50-80/2	4.4	10.2	8.7	20.1	26.8	61.9
50-160/2	11.6	26.8	16.0	37.0	34.1	78.8
50-240/2	10.2	23.6	14.5	33.5	32.6	75.3
53-55/57	4.4	10.2	8.7	20.1	26.8	61.9
75-69	11.6	26.8	16	37	34.1	78.8
80-40/4	11.6	26.8	16.0	37.0	34.1	78.8
80-80/4	14.5	33.5	18.9	43.7	37.0	85.5
80-160/2	21.8	50.4	26.1	60.3	43.5	100.5
100-40/4	27.6	63.8	31.9	73.7	50.0	115.5

Liquid temperature range


Continuously:
14 °F (-10 °C) up to 230 °F (110 °C).

Intermittent:
< 284 °F (140 °C) for short periods of time.

Domestic hot water:
<140 °F (60 °C).

4. Installation procedures

Warning
Never make any connections in the pump terminal box unless the electrical supply has been switched off.



4.1 Electrical preparation

Terminal box position

At the bottom of the stator, closest to the pump housing, there are eight drain holes to allow condensed water to escape. The drain holes shall not be blocked. The drain holes must point downwards. The terminal box must therefore point upwards in one of the positions shown in fig. 1. The following terminal box positions apply whether the piping is mounted vertically or horizontally.




Fig. 1 Possible terminal box positions

TM03 7296 4706

Rotating the terminal box

To change the position of the terminal box, follow these steps:

Warning
If the pump is already installed in the system, the system must be drained or the isolation valves on both sides of the pump must be closed before the allen-head screws are removed as the pumped liquid may be scalding hot and/or under pressure.
Do not start the pump until the system has been filled with liquid and vented.



1. Remove the four allen-head screws holding the pump head onto the pump housing.
2. Carefully lift the pump head and rotate it so the terminal box is in the desired position. DO NOT locate the terminal box beneath the pump. Make sure the O-ring is properly seated in the pump housing.
3. Replace the pump head onto the pump housing.

4. Tighten the allen-head screws evenly. Torque to:
8 mm.....15 ft lbs
10 mm.....25 ft lbs.
5. Check to make sure the rotor turns freely. Do this by removing the vent plug in the middle of the pump nameplate. Insert a medium size flat-blade screwdriver into the slot at the exposed end of the shaft. Gently turn the shaft. If it does not turn easily, repeat steps 1 to 4 above.
6. The position of the nameplate can be changed by easing the outer edge of the plate at the cutout with a screwdriver. Turn the nameplate to the required position and push into place.
7. Refer to p. 17 and p. 18 for additional instructions.

4.2 Piping considerations

Thoroughly clean and flush all dirt and sediment from the system before attempting to install the pump.

Location in the piping line

The pump should never be located at the lowest point of the piping system, where dirt and sediment collect. Nor should it be located at the highest point of the piping system, where air accumulates.

Mounting positions

The arrows on the flanges of the pump indicate the direction of water flow. Although the UPS may be installed in either vertical or horizontal piping, the motor shaft must always remain horizontal, as shown in fig. 1 and fig. 2.

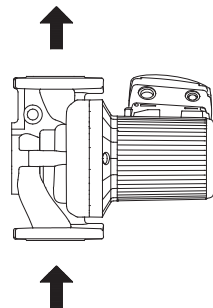



Fig. 2 Direction of water flow through the pump

TM03 7290 4706

NOTE: Pumps installed outdoors must be protected by a ventilated, watertight cover to keep out moisture and dirt.

Warning
The pump must be positioned so that someone cannot accidentally come into contact with the hot surfaces of the pump.



4.3 Connect the pump

Install the pump into the piping system.

Grundfos recommends that pressure gauges be installed in the inlet and discharge flanges or pipes to check pump and system performance.

4.4 Electrical connection

The electrical connection and protection should be carried out in accordance with the latest edition of the National Electrical Code, local codes and regulations by a qualified electrician.

Warning

Never make any connections in the pump terminal box unless the electrical supply has been switched off.



The pump must be grounded.

The pump must be connected to an external main power switch.

The operating voltage and frequency are marked on the pump nameplate. Make sure that the motor is suitable for the electrical supply it is being installed to.

The pump should be grounded to protect against indirect contact and a ground fault interrupter can be used as extra protection.

Multi-speed pump (single-phase)

All single-phase pumps are equipped with built-in, automatic resetting, thermal overload protection. The pump is protected at all three speeds.

Multi-speed pump (three-phase)

The pump must be connected to the electrical supply via an external contactor. The contactor must be connected to the built-in thermal overload switch terminals T1 and T2 (3 x 208-230 V) or P1 and P2 (3 x 460 V and 575 V) to protect the pump against overloading at all three speeds.

OR: If the pump is protected by means of a motor starter, the starter must be set to the current consumption of the pump at the selected speed. The motor starter setting must be changed every time the pump speed is changed. The current consumption at the individual speeds is stated on the pump nameplate.

Figures 4, 6, 7, 9, and 10 on the next pages show the possible connections.

4.4.1 UPS 1 x 115 V and 1 x 230 V terminal box

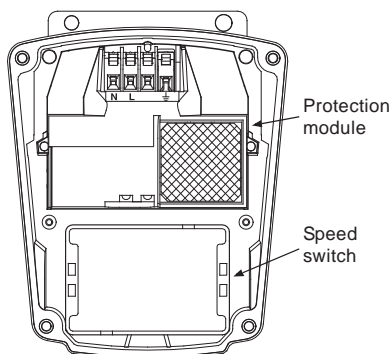


Fig. 3 UPS 1 x 115 V and 1 x 230 V terminal box

All UPS single-phase pumps come with a protection module and a speed switch as shown in fig. 3. All pumps are equipped with built-in, automatic resetting, thermal overload protection. The pump is protected at all three speeds.

Wiring diagrams

Figure 4 shows the electrical connections for a single-phase pump with protection module.

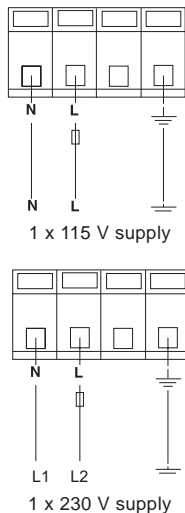


Fig. 4 1 x 115 V and 1 x 230 V supply

NOTE: Provide electrical disconnect and current protection as per local electrical codes.

K = External contactor sized to FL and LR pump current.

TM03 7744 4806

TM03 7743 4806

4.4.2 UPS 3 x 208-230 V terminal box

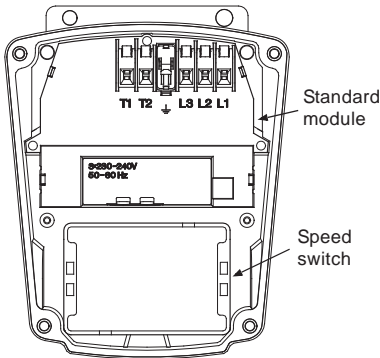


Fig. 5 UPS 3 x 208-230 V terminal box

All UPS pumps with three-phase x 208-230 V come with a standard module and a speed switch as shown in fig. 5. All pumps are equipped with an internal thermal overload switch (terminals T1 and T2, to be connected to an external contactor) to protect the pump at all three speeds.

Wiring diagrams

Figure 6 shows the electrical connections when using an external changeover contact (safety circuit) for start/stop push button station.

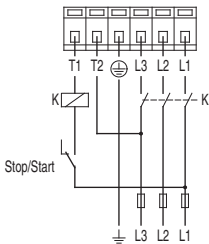


Fig. 6 External changeover contact

Auxiliary contacts rated for supply voltage.

Figure 7 shows the electrical connections when using external impulse contacts (momentary contacts) for start/stop push button station.

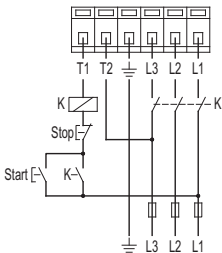


Fig. 7 External impulse contacts

TM03 7742 4806

TM03 7892 5106

TM03 7740 4806

4.4.3 UPS 3 x 460 V and 575 V terminal box

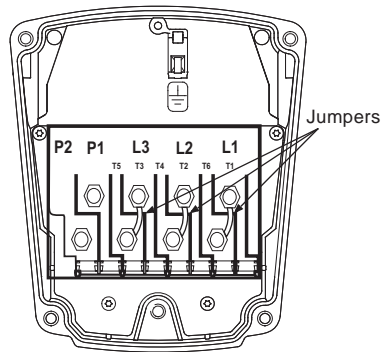


Fig. 8 UPS 3 x 460 V and 575 V terminal box

All UPS pumps with three-phase x 460 V and 575 V terminal boxes (fig. 8) come with a special two-speed terminal box. The speed is changed by the orientation of the jumpers as shown on p. 9. All pumps are equipped with an internal thermal overload switch (terminals P1 and P2) to be connected to external contactor.

Wiring diagrams

Figure 9 shows the electrical connections when using an external changeover contact (safety circuit) for start/stop push button station.

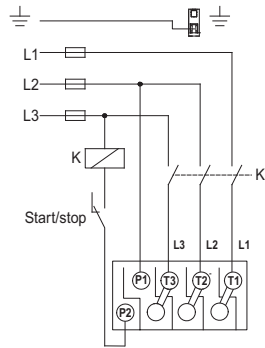


Fig. 9 External changeover contact

Auxiliary contacts rated for supply voltage.

TM03 7739 4806

TM03 7738 5106

Figure 10 shows the electrical connections when using external impulse contacts (momentary contacts) for start/stop push button station.

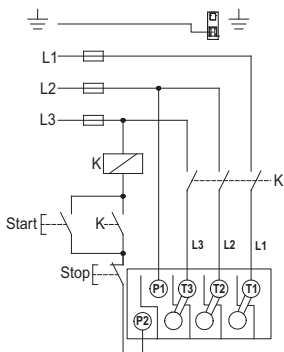


Fig. 10 External impulse contacts

5. Starting the pump

5.1 Vent the piping system

After the pump has been installed and the electrical connections made, the piping system must be vented.

CAUTION: Never operate the pump dry — the system must first be filled with liquid and vented.

NOTE: Do not vent the piping system through the pump.

Instead, follow these steps:

1. Fill and pressurize the system with liquid, and vent all trapped air from the piping by suitable means.
2. If any isolation valves are used, make sure they are OPEN.

Warning

If the vent screw is to be loosened, care should be taken to ensure that the escaping scalding hot liquid does not cause personal injury or damage to components (see fig. 12).



5.2 Check the direction of shaft rotation

Applies to 460 V and 575 V two-speed models only

(The direction of rotation of three-speed pumps is checked by means of the fault finding chart, p. 10 and p. 11).

1. Make sure that the power is OFF.
2. Unscrew and remove the vent plug located at the center of the nameplate.
3. Insert a small, flat-blade screwdriver into the slot in the end of the motor shaft (see fig. 12). Rotate the shaft with the screwdriver to make sure it does so freely.
4. Bump the pump and watch to see which direction the shaft rotates. The shaft must rotate in the counterclockwise direction as shown on the nameplate (see fig. 11).
5. If the pump shaft is rotating incorrectly, disconnect the power and interchange any two power leads in the terminal box.
6. Check once again for proper counterclockwise rotation. When it is rotating correctly, replace the vent plug.

TM03 7737 4806

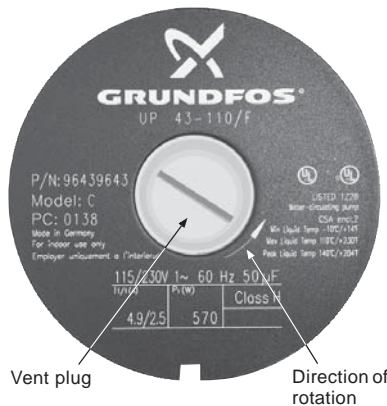


Fig. 11 Vent plug and direction of rotation

TM03 7750 4806

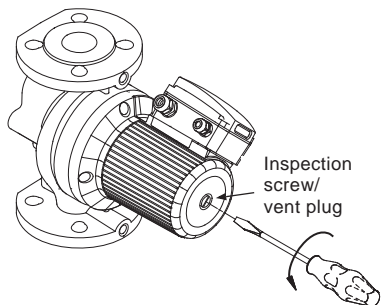


Fig. 12 Removing the vent plug

TM03 7277 4706

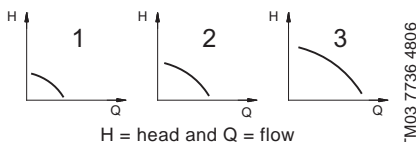
5.3 Speed selection

5.3.1 Three-speed pumps, all models except 3 x 460 V and 575 V

The speed switch in the terminal box can be turned to three positions. The speed in the three positions appears in the table below (also see fig. 13).

Switch position	Speed in % of maximum speed	
	Single-phase pumps	Three-phase pumps
1	approx. 60%	approx. 70%
2	approx. 80%	approx. 85%
3	100%	100%

Changing to lower speeds offers considerable reduction in energy consumption and less noise in the system.



TM03 7736 4806

Fig. 13 Pump performance at speed settings



Warning

Never make any connections in the pump terminal box unless the electrical supply has been switched off.

Change the pump performance as follows:

- Switch off the electrical supply to the pump at the main circuit breaker. The green indicator light in the terminal box must be off.
- Remove the terminal box cover by loosening the four screws in the cover.
- Pull out the speed switch module and re-insert it so that the desired speed is visible through the window in the terminal box (see fig. 14).

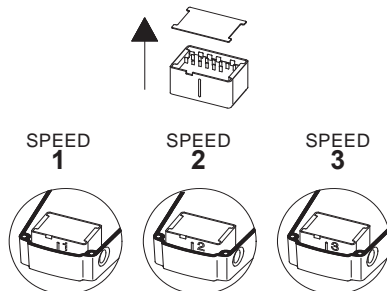


Fig. 14 Speed switch module

TM03 7735 4806

NOTE: When changing to and from speed 1, the cover of the speed switch module must be removed and fitted on the other side of the switch.

- Fit the terminal box cover back onto the terminal box and tighten the four screws in the cover.
- Switch on the electrical supply. Check that the green indicator light is permanently on or flashing.

NOTE: The speed switch module must never be used as an on/off switch.

5.3.2 Two-speed pumps, 3 x 460 V and 575 V

The speed setting in the terminal box can be changed to two positions. The speed in the two positions appears in the table below (also see fig. 13 on p. 9).

Speed step	Speed in % of max. speed
1	approx. 75%
2	100%



Warning

Never make any connections in the pump terminal box unless the electrical supply has been switched off.

Change the pump performance as follows:

The speed is changed by the position of the jumpers in the terminals. The jumpers are fitted according to:

- figure 15 for speed 1 - low speed
- figure 16 for speed 2 - high speed.

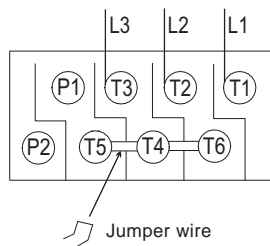


Fig. 15 Speed 1 (low speed)

TM03 7734 4806

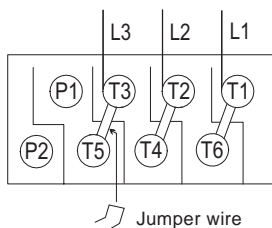


Fig. 16 Speed 2 (high speed)

TM03 7733 4806

6. Troubleshooting

6.1 Fault finding chart

Warning



Before removing the terminal box cover, make sure that the electrical supply has been switched off and that it cannot be accidentally switched on.

The pumped liquid may be scalding hot and under high pressure. Before any removal or dismantling of the pump, the system must be drained or the isolation valves on both sides of the pump must be closed.

Fault	Cause	Remedy
1. The pump does not run. None of the indicator lights are on.	a) One fuse in the installation is blown.	Replace the fuse.
	b) External circuit breaker is switched off.	Switch the circuit breaker on.
	c) Current-/voltage-operated ground fault interrupter has tripped.	Repair the insulation defects and reset the interrupter.
	d) The pump's internal thermal overload switch has cut out (standard module only).	Check that the liquid temperature falls within the specified range. With external on/off changeover contact: The pump will restart automatically when it has cooled to normal temperature. With external on/off impulse contacts: The pump can be restarted when it has cooled to normal temperature.
2. The pump does not run. The green indicator light is on.	a) Rotor blocked, but the pump hasn't been cut out by the thermal overload switch.	Switch off the electrical supply and clean/repair the pump.
	b) The speed switch module has not been fitted.	Switch off the electrical supply at the external circuit breaker and fit the speed switch module into position.
3. Three-phase pumps only: The pump is running. The red and green indicator lights are on.	a) The pump is running with the wrong direction of rotation.	Switch off the electrical supply at the external circuit breaker and interchange any two phases (leads) in the pump terminal box.
4. Noise in the system. The green indicator light is on.	a) Air in the system.	Vent the system.
	b) The pump flow is too high.	Reduce the pump performance.
	c) The pressure is too high.	Reduce the pump performance.
5. Noise in the pump. The green indicator light is on.	a) Air in the pump.	Vent the pump.
	b) The inlet pressure is too low.	Increase the inlet pressure and/or check the air volume in the expansion tank (if installed).
6. Insufficient heat in some places in the heating system.	a) The pump performance is too low.	Increase the pump performance, if possible, or replace the pump with a pump with higher flow.

Fault	Cause	Remedy
7. Single-phase pumps with protection module (only). The pump does not run. The red indicator light is on. The green indicator light is off.	a) The pump has been cut out by the thermal overload switch due to high liquid temperature or blocked rotor.	Check that the liquid temperature falls within the specified range. The pump will restart automatically when it has cooled to normal temperature. NOTE: If the thermal overload switch has cut out the pump three times within a short period, the pump must be restarted manually by switching off the electrical supply.
	b) The speed switch module has not been fitted.	Switch off the electrical supply by means of the external mains switch and fit the speed switch module.

6.2 Preliminary checks

Supply voltage

To check the voltage being supplied to the motor, use a voltmeter.



Warning

Be careful, since power is still being supplied to the pump. Do not touch the voltmeter leads together while they are in contact with the power lines.

Evaluation

When the motor is under load, the voltage should be within 10 % (+ or –) of the nameplate voltage. Any variation larger than this may indicate a poor electrical supply and can cause damage to the motor windings. The motor should not be operated under these conditions. Contact your power supplier to correct the problem or change the motor to one requiring the voltage you are receiving.

Single-phase motors	Three-phase motors
Touch one voltmeter lead to each of the lines supplying power to the pump: <ul style="list-style-type: none"> • L and N for 115 V circuits • L1 and L2 for 230 V circuits. 	Touch a voltmeter lead to: <ul style="list-style-type: none"> • Power leads L1 and L2 • Power leads L2 and L3 • Power leads L3 and L1. These tests should give a reading of full line voltage.

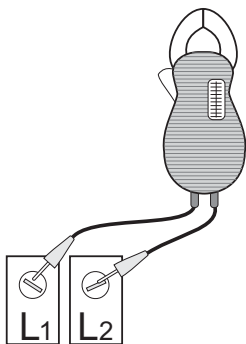


Fig. 17 Checking single-phase power

TM03 7749 4806

6.3 Current measurement

To check the current, use an ammeter.

To do so, follow these steps:

1. Make sure the pump is operating.
2. Set the ammeter to the proper scale.
3. Place the tongs of the ammeter around the leg to be measured.
4. Compare the results with the amp draw information on the motor nameplate.
5. Repeat for the other legs.

Evaluation

If the current draw exceeds the listed nameplate amps, or if the current imbalance is greater than 5% between each leg on three-phase units, then check the following:

- The voltage supplied to the pump may be too high or too low.
- The contacts on the motor starter may be burned.
- The terminals in the starter or terminal box may be loose.
- There may be a winding defect. Check the winding and insulation resistance.
- The motor windings may be shorted or grounded.
- The pump may be damaged in some way and may be causing a motor overload.
- A voltage supply or balance problem may exist.

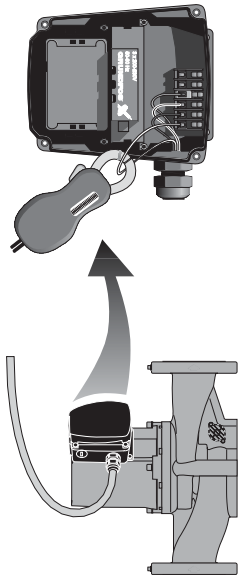


Fig. 18 Current measurement

6.4 Insulation resistance (lead-to-ground)

To check the insulation resistance (lead-to-ground) of the motor and leads, a megohmmeter is required.

To do so, follow these steps:

1. Turn the POWER OFF.
2. Disconnect all electrical leads to the motor.
3. Set the scale selector on the megohmmeter to R x 100K, touch its leads together, and adjust the indicator to zero.
4. Touch the leads of the megohmmeter individually to each of the motor leads and to ground (i.e. L1 to ground; L2 to ground, etc.).

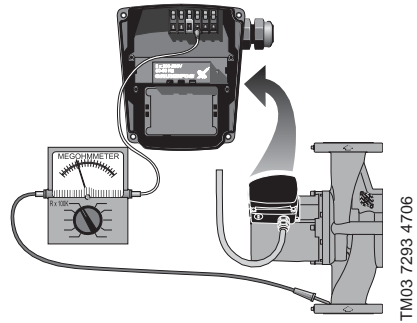


Fig. 19 Insulation resistance measurement

Evaluation

The resistance values for new motors must exceed 1,000,000 ohms. If they do not, replace the motor.

TM03 7293 47 06

6.5 Winding resistance (line-to-line)

To check the winding resistance of the motor windings, a megohmmeter is required.

To do so, follow these steps:

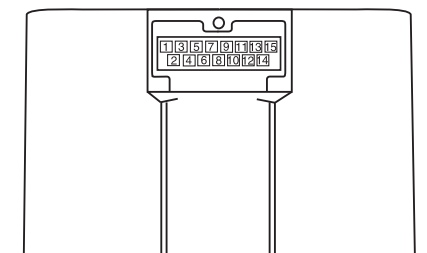
1. Turn the POWER OFF.
2. Disconnect all electrical leads to the motor.
3. Set the scale selector on the megohmmeter to R x 1, touch its leads together, and adjust the indicator to zero.
4. Using the charts below for reference, touch the leads of the megohmmeter to the appropriate pair of connectors. Check all pairs that are present and write down and label (RA, RS₁, RS₂, R) all readings.
5. Compare your readings to the matching model, phase and voltage on the chart on p. 15 and p. 16.

Evaluation

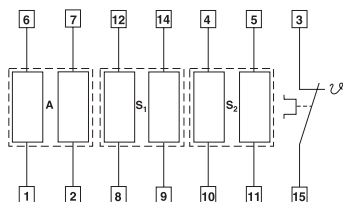
The resistance values must fall within the tolerances listed on p. 15 or p. 16. If they do not, replace the motor.

Internal wiring UPS

Terminal plug in stator



Single-phase

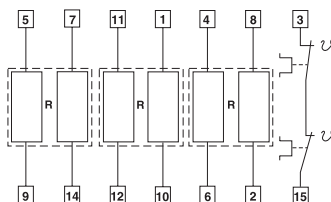


RA: 6-1 or 6-1, 7-2
RS₁: 12-8 or 12-8, 14-9
RS₂: 4-10 or 4-10, 5-11

RA: Main winding

RS₁: Auxiliary winding
RS₂: Auxiliary winding

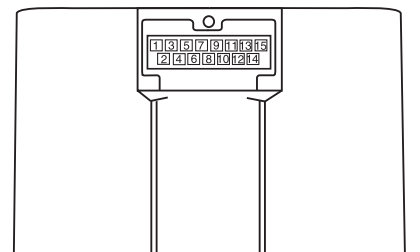
Three-phase 208-230 V



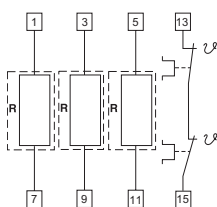
R: 5-9 or 5-9, 7-14
R: 11-12 or 11-12, 1-10
R: 4-6 or 4-6, 8-2

Internal wiring
UPS

Terminal plug in stator



Three-phase 460/575 V



6.6 Winding resistance chart

60 Hz

Pump type	Voltage	[Ω] 68 °F - 122 °F (20 °C - 50 °C)			
		R	RA	RS ₁	RS ₂
UPS 32-40/4	1 x 115 V		17.8 - 23.2	3.95 - 5.20	9.40 - 12.4
	1 x 230 V		70.0 - 91.5	17.0 - 22.2	39.5 - 52.0
	3 x 208 - 230 V	180 - 236			
	3 x 460 V	360 - 470			
	3 x 575 V	575 - 750			
UPS 32-80/2	1 x 115 V		9.55 - 12.6	3.05 - 4.00	6.70 - 8.80
	1 x 230 V		19.4 - 25.5	5.45 - 7.10	12.6 - 16.4
	3 x 208 - 230 V	44.0 - 57.5			
	3 x 460 V	83.5 - 110			
	3 x 575 V	132 - 174			
UPS 32-160/2	1 x 115 V		4.15 - 5.45	1.20 - 1.56	2.65 - 3.50
	1 x 230 V		8.30 - 10.8	2.20 - 2.90	5.05 - 6.65
	3 x 208 - 230 V	26.0 - 34.0			
	3 x 460 V	53.5 - 70.0			
	3 x 575 V	84.5 - 110			
UPS 40-40/4	1 x 115 V		11.4 - 15.0	2.95 - 3.85	5.60 - 7.35
	1 x 230 V		50.5 - 66.5	14.0 - 18.4	25.5 - 34.0
	3 x 208 - 230 V	118 - 154			
	3 x 460 V	234 - 310			
	3 x 575 V	360 - 475			
UPS 40-80/2	1 x 115 V		5.60 - 7.35	1.84 - 2.42	4.50 - 5.90
	1 x 230 V		11.0 - 14.4	3.95 - 5.20	8.55 - 11.2
	3 x 208 - 230 V	32.0 - 42.0			
	3 x 460 V	64.0 - 84.0			
	3 x 575 V	102 - 132			
UPS 40-80/4	1 x 115 V		4.15 - 5.45	1.94 - 2.55	3.30 - 4.35
	1 x 230 V		8.10 - 10.6	3.05 - 4.00	4.60 - 6.05
	3 x 208 - 230 V	46.5 - 61.0			
	3 x 460 V	90.5 - 118			
	3 x 575 V	164 - 216			
UPS 40-160/2	1 x 115 V		2.85 - 3.75	1.10 - 1.44	1.94 - 2.55
	1 x 230 V		5.60 - 7.35	2.02 - 2.66	3.75 - 4.95
	3 x 208 - 230 V	22.8 - 30.0			
	3 x 460 V	45.5 - 59.5			
	3 x 575 V	72.0 - 95.0			
UPS 40-240/2	1 x 230 V		6.80 - 8.95	2.02 - 2.65	3.70 - 4.85
	3 x 208 - 230 V	11.0 - 14.4			
	3 x 460 V	22.0 - 29.0			
	3 x 575 V	35.0 - 45.5			

Pump type	Voltage	[Ω] 68 °F - 122 °F (20 °C - 50 °C)			
		R	RA	RS ₁	RS ₂
UPS 50-40/4	1 x 115 V		6.55 - 8.55	2.12 - 2.80	4.30 - 5.65
	1 x 230 V		25.0 - 33.0	8.30 - 10.8	15.0 - 19.8
	3 x 208 - 230 V	57.5 - 75.0			
	3 x 460 V	114 - 148			
	3 x 575 V	184 - 242			
UPS 50-80/2	1 x 115 V		4.15 - 5.45	1.20 - 1.56	2.65 - 3.50
	1 x 230 V		8.30 - 10.80	2.20 - 2.90	5.05 - 6.65
	3 x 208 - 230 V	26.0 - 34.0			
	3 x 460 V	33.5 - 70.0			
	3 x 575 V	84.5 - 110			
UPS 50-80/4	1 x 115 V		2.75 - 3.60	1.74 - 2.30	2.85 - 3.75
	1 x 230 V		5.50 - 7.25	2.65 - 3.50	4.95 - 6.50
	3 x 208 - 230 V	37.0 - 49.0			
	3 x 460 V	79.0 - 104			
	3 x 575 V	120 - 156			
UPS 50-160/2	1 x 230 V		6.80 - 8.95	2.02 - 2.65	3.70 - 4.85
	3 x 208 - 230 V	12.4 - 16.2			
	3 x 460 V	24.2 - 31.5			
	3 x 575 V	37.5 - 49.5			
UPS 50-240/2	3 x 208 - 230 V	7.80 - 10.2			
	3 x 460 V	15.6 - 20.6			
	3 x 575 V	25.0 - 33.0			
UPS 53-55/57	1 x 115 V		4.15 - 5.45	1.20 - 1.56	2.65 - 3.50
	1 x 230 V		8.30 - 10.80	2.20 - 2.90	5.05 - 6.65
	3 x 208 - 230 V	26.0 - 34.0			
	3 x 460 V	33.5 - 70.0			
UPS 75-69	3 x 575 V	84.5 - 110			
	1 x 230 V		6.80 - 8.95	2.02 - 2.65	3.70 - 4.85
	3 x 208 - 230 V	12.4 - 16.2			
UPS 80-40/4	3 x 460 V	24.2 - 31.5			
	3 x 575 V	37.5 - 49.5			
	3 x 208 - 230 V	46.5 - 61.0			
UPS 80-80/4	3 x 460 V	90.5 - 118			
	3 x 575 V	164 - 216			
UPS 80 -160/2	3 x 208 - 230 V	23.6 - 31.0			
	3 x 208 - 230 V	7.80 - 10.2			
	3 x 460 V	15.6 - 20.6			
UPS 100-40/4	3 x 575 V	25.0 - 33.0			
	3 x 208 - 230 V	27.5 - 36.0			
	3 x 460 V	54.5 - 71.5			
	3 x 575 V	86.0 - 114			

7. Replacing components

7.1 Removing the pump head

1. Disconnect or TURN OFF the power supply.
2. Close any isolation valves on either side of the pump to avoid draining the system of liquid.
3. Disconnect the electrical leads from the terminal box.
4. Disconnect and remove the conduit from the terminal box.
5. Loosen and remove the four allen-head screws (8 or 10 mm) which connect the pump head housing to the pump housing.
6. Remove the pump head from the pump housing.
7. Clean the machined surfaces in the pump housing of any foreign material.

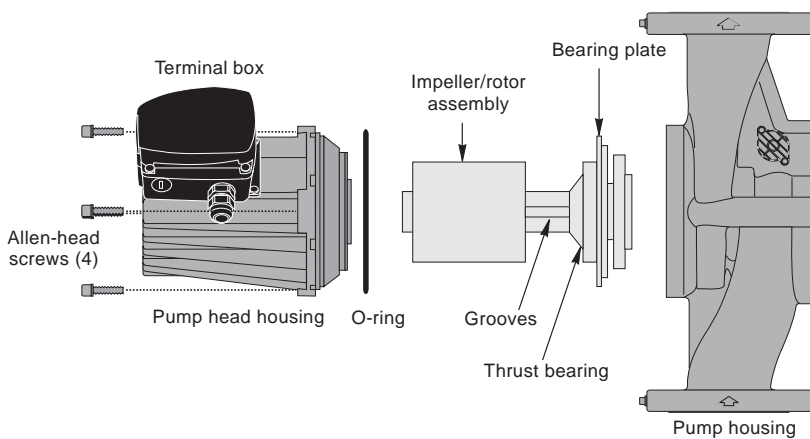


Fig. 20 Removing and fitting the pump head

7.2 Fitting the pump head

1. Carefully remove the new pump head assembly from its packaging. Separate the impeller/rotor assembly from the new pump head.
2. While holding the thrust bearing, carefully place the impeller/rotor assembly into the pump housing. The bearing plate should fit snugly into the lowest machined surface in the pump housing.
3. Make sure that the impeller/rotor assembly can rotate freely.
4. Place the O-ring over the rotor and locate it into the inner diameter of the pump housing.
5. Carefully place the pump head housing over the rotor and rotate it so the terminal box is in the position you wish, see section 4.1 under *Terminal box position*.
6. Make sure the pump head housing is properly seated on the pump housing. **Do not force the two together** - if there is binding, disassemble them and repeat steps 2 to 6. Tighten the allen-head screws evenly to secure the pump head.
Torque to:
8 mm.....15 ft lb
10 mm.....25 ft lb.
7. Check to make sure the motor shaft turns freely, as explained in section 4.1 under *Rotating the terminal box*.

TM03 7292 4706

7.3 Replacing the terminal box or capacitor

If the terminal box is replaced, make certain the electrical information listed on the new box matches the information listed on the old box, and that it is compatible with the pump and incoming electrical supply.

For all terminal boxes, it is very important to tightly secure the frame grounding screw through the terminal box, so that a proper connection between the terminal box and motor is made.

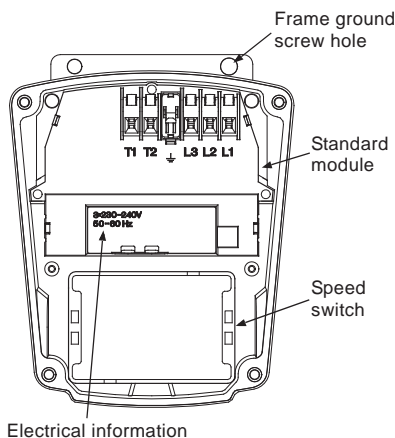


Fig. 21 Terminal box

TM03 7742 4806

All	1.	Before replacing the terminal box or capacitor, make sure the power is OFF.
	2.	Remove the terminal box cover by completely loosening all four torx/standard screws.
	3.	Remove the speed switch (noting its position) by pulling firmly and evenly on both sides of it. (Not for 460/575 V).
Capacitor	a.4.	Capacitor replacement, single-phase pumps only: Disconnect the two connector clips from the capacitor and unscrew the complete plastic strain relief nut. Remove capacitor wire and strain relief.
	a.5.	Screw in new complete strain relief nut and connect new clip connectors. Pull excess sheathed cable out of terminal box, being sure to leave at least 1/8" of sheath inside of terminal box.
Terminal box	b.4.	Terminal box replacement: Disconnect all wiring, remove the three phillips-head screws holding the terminal box in place and remove the terminal box by pulling firmly and evenly on both sides.
	b.5.	Check that the clear rubber gasket is in place around the terminal box connector stem, carefully press the terminal box into the stator socket, replace the three phillips-head terminal box screws and replace wiring.
All	6.	Replace the speed switch to its proper position, making sure to push it all the way in. (Not for 460/575 V).
	7.	Replace the terminal box cover and tighten all four torx/standard screws.
	8.	Switch on electrical power supply. The pump is now ready for operation.

8. Disposal

This product or parts of it must be disposed of in an environmentally sound way:

1. Use the public or private waste collection service.
2. If this is not possible, contact the nearest Grundfos company or service workshop.

Subject to alterations.

SOMMAIRE

	Page
1. Garantie Limitée	19
2. Introduction	20
2.1 Vertissements de sécurité	20
3. Liste de vérification pour la préinstallation	20
3.1 Assurez-vous d'avoir la bonne pompe	20
3.2 Vérifiez l'état de la pompe	20
3.3 Vérifiez les exigences électriques	20
3.4 Conditions ayant trait au liquide pompé	21
4. Procédure d'installation	21
4.1 Préparation aux travaux électriques	21
4.2 Tuyauterie	22
4.3 Raccordement de la pompe	22
4.4 Connexions électriques	22
5. Démarrage de la pompe	25
5.1 Expulser l'air du système de tuyauterie	25
5.2 Vérifier le sens de rotation de l'arbre	25
5.3 Sélection de la vitesse	25
6. Résolution des problèmes	27
6.1 Tableau de recherche de défauts	27
6.2 Mesurer la tension d'alimentation	29
6.3 Mesure du courant	30
6.4 Résistance d'isolement (entre le fil et la masse)	30
6.5 Résistance d'enroulement (phase à phase)	31
6.6 Tableau de résistance d'enroulement	33
7. Remplacement de composantes	35
7.1 Démontage de la tête de pompe	35
7.2 Montage de la tête de pompe	35
7.3 Remplacer le boîtier de raccordement ou le condensateur	36
8. Mise au rebut	36

1. Garantie Limitée

Les produits fabriqués par GRUNDFOS PUMPS CORPORATION (Grundfos) sont couverts par une garantie à l'utilisateur initial à l'effet qu'ils sont exempts de vices attribuables aux matériaux et à la fabrication pour une période de 24 mois après la date d'installation, mais sans excéder une période de 30 mois après la date de fabrication. Selon les termes de cette garantie, la responsabilité de Grundfos se limitera à réparer ou à remplacer sans frais, à la discrétion de Grundfos et FAB de l'usine de Grundfos ou d'un poste de service autorisé, tout produit provenant de l'usine de Grundfos. Grundfos ne sera pas responsable des frais d'enlèvement, d'installation, de transport, ou de tous les autres frais pouvant être encourus dans le cadre d'une demande d'indemnité concernant la garantie. Les produits vendus, mais qui ne sont pas fabriqués par Grundfos, sont couverts par la garantie offerte par les fabricants de ces produits, et ils ne sont pas couverts par la garantie de Grundfos. Grundfos ne sera pas responsable de la détérioration des produits ou des produits endommagés dans les cas suivants: conditions d'utilisation anormales, accidents, abus, mauvais usage, modification ou réparation non autorisée, ou lorsque le produit n'a pas été installé conformément aux instructions écrites de Grundfos concernant l'installation et l'exploitation.

Pour obtenir un service selon les termes de cette garantie, vous devez retourner le produit défectueux au distributeur ou au fournisseur de produits Grundfos qui vous a vendu le produit, incluant la preuve d'achat et la date d'installation, la date de la défaillance, et les informations concernant l'installation. Sauf disposition contraire, le distributeur ou le fournisseur contactera Grundfos ou un poste de service autorisé pour obtenir les instructions. Tout produit défectueux doit être retourné "fret payé à l'avance" à Grundfos ou à un poste de service. Les documents décrivant la demande d'indemnité aux termes de la garantie et/ou une autorisation de retour de marchandise doivent être inclus si exigé.

GRUNDFOS NE SERA PAS RESPONSABLE DES DOMMAGES INDIRECTS OU CONSÉCUTIFS, DES PERTES, OU DES FRAIS DÉCOULANT DE L'INSTALLATION, L'UTILISATION, OU DE TOUTE AUTRE CAUSE. IL N'EXISTE AUCUNE GARANTIE EXPRESSE OU IMPLICITE, INCLUANT LA QUALITÉ MARCHANDE OU L'ADAPTATION À UNE FIN PARTICULIÈRE, QUI OUTREPASSE LES GARANTIES DÉCRITES OU RÉFÉRENCÉES CI-DESSUS.

Certaines juridictions ne permettent pas l'exclusion ou la limitation des dommages indirects ou consécutifs, et certaines juridictions ne permettent pas de limiter la durée des garanties implicites. Il est donc possible que les

Advertissement!

Avant l'installation, lisez ces Notice d'installation et de fonctionnement. Installation et fonctionnement doivent être conformes aux réglementations locales et les codes acceptés de bonnes pratiques.



Ce livret doit être remis au propriétaire de la pompe pour référence future et des informations concernant son fonctionnement.

limitations ou que les exclusions mentionnées précédemment ne s'appliquent pas à vous. Cette garantie vous accorde des droits légaux spécifiques, et vous pouvez également avoir d'autres droits qui varient d'une juridiction à l'autre.

2. Introduction

2.1 Vertissements de sécurité

2.1.1 Lisez ce manuel

Ce manuel est destiné à aider l'installateur certifié à installer, faire fonctionner et réparer la pompe Grundfos UPS. Le manuel devrait être laissé au propriétaire de la pompe pour référence future. Si la pompe présente des problèmes, communiquez avec un professionnel certifié.

2.1.2 Travaux électriques

Advertissement!

Tout travail électrique doit être effectué par un électricien qualifié en vertu de la dernière édition du National Electrical Code (É.-U.) ou du Code national de l'électricité (Canada) en plus des codes et des règlements locaux.



Advertissement!

Un moteur ou des câbles défectueux peuvent entraîner des chocs électriques pouvant être fatals lorsque touchés directement ou mis en contact avec de l'eau. C'est pourquoi une mise à la terre efficace de la pompe sur la borne de la source d'alimentation est nécessaire pour assurer une installation et une utilisation sans danger.



Dans toutes les installations, les pièces de plomberie en métal situées au-dessus du sol doivent être raccordées à la mise à la terre de la source d'alimentation tel que précisé dans l'article 250-80 du National Electrical Code (É.-U.) ou dans le règlement 10-406 du Code national de l'électricité (Canada).

3. Liste de vérification pour la préinstallation

3.1 Assurez-vous d'avoir la bonne pompe

- Lisez la plaque signalétique de la pompe pour vérifier qu'il s'agit bien de celle que vous avez commandée.
- Comparez les données de la plaque signalétique et la courbe de rendement de la pompe (débit, hauteur d'aspiration, gal/min., etc.) avec les demandes qu'elle devra rencontrer.
- Assurez-vous que la pompe puisse répondre à vos besoins.

3.2 Vérifiez l'état de la pompe

Le carton dans lequel vous avez reçu votre pompe est spécialement conçu pour épouser la forme de celle-ci. Il est disposé autour d'elle en cours de production afin de prévenir les dommages.

En guise de précaution, laissez la pompe dans le carton jusqu'à son installation. À ce moment, examinez la pompe pour tout dommage qu'elle aurait pu subir au cours du transport.

Examinez également toute autre pièce pour vérifier s'il y a un bris.

3.3 Vérifiez les exigences électriques

La vérification de la source d'alimentation doit être effectuée pour s'assurer que la tension, la phase et la fréquence correspondent à celles du moteur de la pompe. Ces données sont indiquées sur la plaque signalétique de la pompe.

Le moteur est conçu pour fonctionner à une tension située à + / - 10 % de la tension énoncée sur la plaque signalétique.

Les schémas de câblage se trouvent à l'intérieur du couvercle du boîtier de raccordement, et plus loin dans ce manuel. Si les variations de la tension sont supérieures à + / - 10 %, ne faites pas fonctionner la pompe.

3.4 Conditions ayant trait au liquide pompé

ATTENTION : La pompe UPS est destinée à pomper uniquement de l'eau.

Il peut s'agir d'eau

- chaude et potable
- pour système de chauffage à eau chaude
- de refroidissement
- Il est recommandé d'utiliser des pompes en bronze (modèle UPS) dans les systèmes d'eau domestique où la dureté de l'eau est inférieure à 14 grains par gallon impérial. Pour de l'eau avec une dureté supérieure, une pompe à moteur ventilé type TP est recommandée.
- Si la pompe est installée dans un système de chauffage, l'eau devra répondre aux critères de normes admises concernant la qualité de l'eau dans les installations de chauffage.

La pompe comporte un rotor immergé qui est lubrifié et refroidi par le liquide pompé. Le liquide doit donc demeurer en circulation. De longues périodes sans circulation causeront une usure prématurée des roulements, qui pourrait entraîner une surchauffe du moteur. Le liquide pompé doit répondre aux critères suivants :

Pressions minimales à l'orifice d'aspiration (pendant le fonctionnement)

Modèle UPS	À ces températures de liquide					
	167°F/ 75°C		194°F/ 90°C		230°F/ 110°C	
	[psi]	hf	[psi]	hf	[psi]	hf
32-40/4	0,7	1,6	2,2	5,1	21,0	48,5
32-80/2	0,7	1,6	5,1	11,8	23,9	55,2
32-160/2	11,6	26,8	16,0	37,0	34,1	78,8
40-40/4	0,7	1,6	4,4	10,2	23,2	53,6
40-80/4	0,7	1,6	1,5	3,5	18,1	41,8
40-80/2	6,5	15,0	10,9	25,2	29,0	67,0
40-160/2	5,1	11,8	9,4	21,7	27,6	63,8
40-240/2	11,6	26,8	16,0	37,0	34,1	78,8
50-40/4	0,7	1,6	2,9	6,7	21,8	50,4
50-80/4	0,7	1,6	4,4	10,2	23,2	53,6
50-80/2	4,4	10,2	8,7	20,1	26,8	61,9
50-160/2	11,6	26,8	16,0	37,0	34,1	78,8
50-240/2	10,2	23,6	14,5	33,5	32,6	75,3
53-55/57	4,4	10,2	8,7	20,1	26,8	61,9
75-69	11,6	26,8	16	37	34,1	78,8
80-40/4	11,6	26,8	16,0	37,0	34,1	78,8
80-80/4	14,5	33,5	18,9	43,7	37,0	85,5
80-160/2	21,8	50,4	26,1	60,3	43,5	100,5
100-40/4	27,6	63,8	31,9	73,7	50,0	115,5

Étendue des températures du liquide

En circulation continue :

14 °F (-10 °C) jusqu'à 230 °F (110 °C).

En circulation intermittente :

< 284°F (140°C) pour de courtes périodes de temps.

Circulation de l'eau chaude domestique:

<140 °F (60 °C).

4. Procédure d'installation



Advertissment!

N'effectuez jamais de travaux électriques dans le boîtier de raccordement à moins que l'alimentation ait été coupée.

4.1 Préparation aux travaux électriques

Position du boîtier de raccordement

Le boîtier de raccordement doit être orienté pour permettre l'écoulement d'eau condensée par les 8 (huit) orifices de drainage situés au bas du stator (près du corps). Les orifices de drainage ne doivent pas être bloqués. Ces orifices DOIVENT être orientés vers le bas. Le boîtier de raccordement sera donc orienté vers le haut tel qu'illustré à la fig. 1. Les positions s'appliquent à la fois pour les tuyauteries verticales et horizontales.



Fig. 1 Positions possibles du boîtier de raccordement

Rotation du boîtier de raccordement

Pour changer la position du boîtier de raccordement, suivez les étapes suivantes :

Advertissment!

Si la pompe est déjà installée dans le système, il faut drainer le système ou fermer les vannes d'isolation situées de chaque côté de la pompe avant le retrait des vis creuses, car le liquide pompé peut être brûlant et/ou sous pression.



Ne mettez pas la pompe en marche à moins que le système ait été rempli de liquide et éventé.

1. Retirez les 4 (quatre) vis creuses qui retiennent la tête de pompe au corps de pompe.

- Soulevez prudemment la tête de pompe en la tournant afin de placer le boîtier de raccordement à l'endroit désiré. **NE PLACEZ PAS** le boîtier sous la pompe. Assurez-vous que le joint torique soit bien placé dans le corps de pompe.
- Replacez la tête de pompe sur le corps.
- Serrez les vis creuses au couple suivant, de façon égale :
8 mm : 15 pi/lb
10 mm : 25 pi/lb.
- Vérifiez que le rotor peut tourner librement en retirant le bouchon d'aération situé au milieu de la plaque signalétique de la pompe. Insérez un tournevis moyen à tête plate dans la fente à l'extrémité exposée de l'arbre, et tournez-le doucement. Si l'arbre ne tourne pas facilement, répétez les étapes 1 à 4 ci-dessus.
- La plaque signalétique peut être déplacée en soulevant le bord extérieur à l'aide d'un tournevis. Tournez-la vers la position désirée, et appuyez ensuite pour la remettre en place.
- Consultez les p. 35 et p. 36 pour obtenir des instructions supplémentaires.

4.2 Tuyauterie

Avant d'installer la pompe, nettoyez la tuyauterie en profondeur afin d'éliminer toute saleté et tout sédiment.

Emplacement sur la ligne

La pompe ne devrait JAMAIS être située au point le plus bas du système, car la saleté et les sédiments s'y accumulent. De même, elle ne devrait JAMAIS être placée au point le plus haut, car l'air s'y accumule.

Positions de montage

Les flèches situées sur le corps de pompe indiquent la direction de l'écoulement à travers la pompe. La pompe UPS peut être installée sur des sections de tuyauterie à la verticale ou à l'horizontale, mais son arbre moteur doit demeurer sur le plan horizontal comme indiqué dans les fig. 1 et fig. 2.

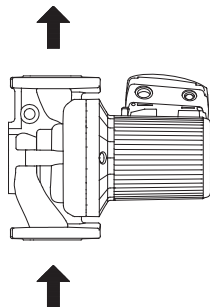


Fig. 2 Direction de l'écoulement à travers la pompe

NOTA : Les pompes installées à l'extérieur DOIVENT être protégées par une housse ventilée et à l'épreuve de l'eau, afin d'empêcher l'accumulation de poussière et l'humidité.



Avertissement!
L'emplacement de la pompe devrait empêcher tout contact accidentel avec ses surfaces chaudes.

4.3 Raccordement de la pompe

Installez la pompe dans le système de tuyauterie.

Grundfos recommande que des jauges à pression soient installées sur les brides ou tuyaux d'aspiration et d'écoulement pour que l'utilisateur puisse effectuer des vérifications périodiques du rendement du système et de la pompe.

4.4 Connexions électriques

Les connexions et la mise à la terre devraient être effectuées par un électricien qualifié en vertu de la dernière édition du National Electrical Code ou du Code national de l'électricité et des règlements fédéraux et locaux.



Avertissement!
Coupez toujours l'alimentation avant d'effectuer des connexions au boîtier de raccordement de la pompe.

La pompe doit être mise à la terre. La pompe doit être raccordée à un interrupteur externe d'alimentation principale.

La tension et la fréquence d'opération figurent sur la plaque signalétique de la pompe. Assurez-vous que le moteur convient à la source d'alimentation.

Effectuez une mise à la terre appropriée afin de prévenir le contact indirect : un disjoncteur de fuite à la terre peut être utilisé pour assurer une protection supplémentaire.

Pompe à plusieurs vitesses (monophasée)

Toutes les pompes monophasées sont équipées d'un dispositif de protection intégré à réenclenchement automatique contre les surcharges thermiques. La pompe est protégée aux trois vitesses de fonctionnement.

Pompe à plusieurs vitesses (triphasee)

La pompe doit être connectée à la source d'alimentation électrique via un contacteur extérieur. Le contacteur doit être connecté aux bornes T1 et T2 (3 x 208-230 V) ou aux bornes P1 et P2 (3 x 460 V et 575 V) du commutateur intégré de surcharge thermique pour protéger la pompe contre les surcharges aux trois vitesses de fonctionnement.

TM03 7290 4706

OU : Si la pompe est protégée au moyen d'un démarreur de moteur, le démarreur doit être réglé à la consommation de courant de la pompe à la vitesse sélectionnée. Le réglage du démarreur de moteur doit être modifié à CHAQUE FOIS qu'on modifie la vitesse de la pompe. La consommation de courant aux différentes vitesses de fonctionnement est indiquée sur la plaque signalétique de la pompe. Les fig. 4, 6, 7, 9 et 10 indiquent les connexions possibles.

4.4.1 Boîtier de raccordement de la pompe UPS 1 x 115 V et 230 V

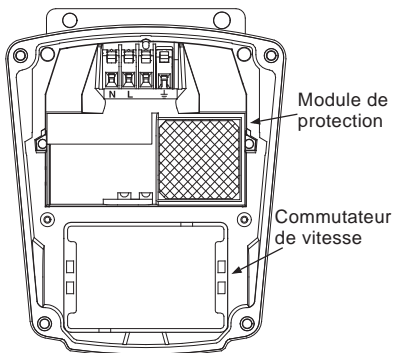


Fig. 3 Boîtier de raccordement UPS 1 x 115 V et 1 x 230 V

Toutes les pompes UPS monophasées sont équipées d'un module de protection et d'un commutateur de vitesse, tel qu'illustré à la fig. 3. Toutes les pompes sont équipées d'un dispositif de protection intégré à réenclenchement automatique contre les surcharges thermiques. La pompe est protégée aux trois vitesses de fonctionnement.

Schémas de câblage

La fig. 4 montre les connexions électriques pour une pompe monophasée avec module de protection.

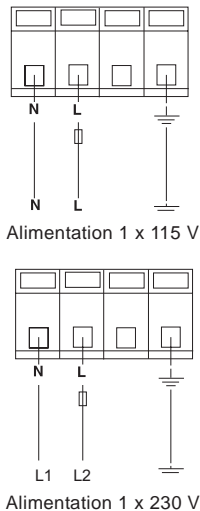


Fig. 4 Alimentation 1 x 115 V et 1 x 230 V

NOTA : On doit installer un disjoncteur électrique et un dispositif de protection contre les surintensités de courant conformément aux codes électriques locaux.

K = Contacteur extérieur dont la capacité est compatible avec l'intensité de courant des pompes FL et LR.

4.4.2 Boîtier de raccordement de la pompe UPS 3 x 208-230 V

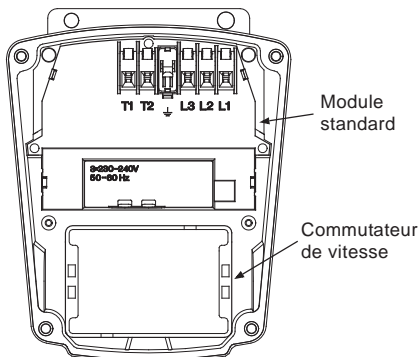


Fig. 5 Boîtier de raccordement UPS 3 x 208-230 V

Toutes les pompes UPS dotées de boîtiers de raccordement de trois phases x 208-230 V sont équipées d'un module standard et d'un commutateur de vitesse, tel qu'illustré à la fig. 5. Toutes les pompes sont équipées d'un commutateur intégré de surcharge thermique (bornes T1 et T2 à connecter à un contacteur extérieur) pour protéger la pompe aux trois vitesses de fonctionnement.

TM03 7744 4806

TM03 7743 4806

TM03 7742 4806

Schémas de câblage

La fig. 6 montre les connexions électriques applicables lorsqu'on utilise un contact de basculement extérieur (circuit de sécurité) au poste de commande à boutons-poussoirs d'arrêt/marche.

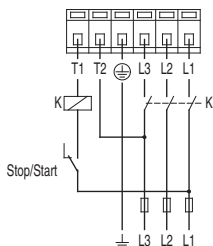


Fig. 6 Contact de basculement extérieur

Contacts auxiliaires dont la capacité est compatible avec la source d'alimentation électrique.

La fig. 7 montre les connexions électriques applicables lorsqu'on utilise des contacts d'impulsion extérieurs (contacts momentanés) au poste de commande à boutons-poussoirs d'arrêt/marche.

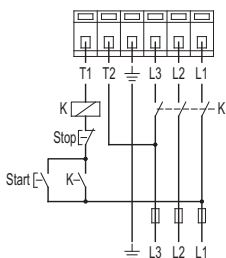


Fig. 7 Contacts d'impulsion extérieurs

4.4.3 Boîtier de raccordement de la pompe UPS 3 x 460 V et 575 V

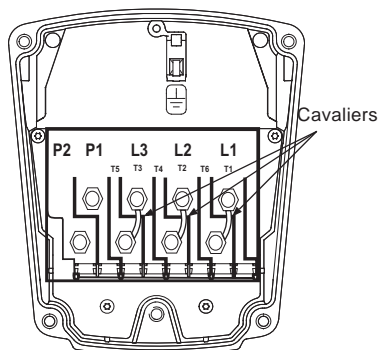


Fig. 8 Boîtier de raccordement UPS 3 x 460 V et 575 V

TM03 7892 5106

TM03 7740 4806

TM03 7739 4806

Toutes les pompes UPS dotées de boîtiers de raccordement de trois phases x 460 V et 575 V (fig. 8) sont équipées d'un boîtier de raccordement spécial à deux vitesses. La vitesse est modifiée par l'orientation des cavaliers comme indiqué sur la p. 26. Toutes les pompes sont équipées d'un commutateur intégré de surcharge thermique (bornes P1 et P2) à connecter au contacteur extérieur.

Schémas de câblage

La fig. 9 montre les connexions électriques applicables lorsqu'on utilise un contact de basculement extérieur (circuit de sécurité) au poste de commande à boutons-poussoirs d'arrêt/marche.

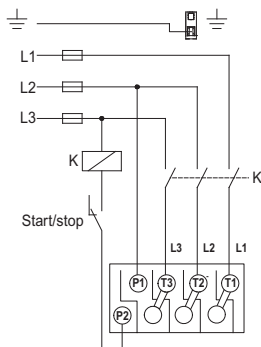


Fig. 9 Contact de basculement extérieur

Contacts auxiliaires dont la capacité est compatible avec la source d'alimentation électrique.

La fig. 10 montre les connexions électriques applicables lorsqu'on utilise des contacts d'impulsion extérieurs (contacts momentanés) au poste de commande à boutons-poussoirs d'arrêt/marche.

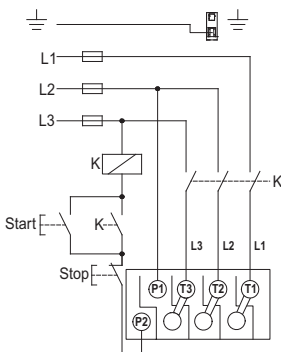


Fig. 10 Contacts d'impulsion extérieurs

TM03 7738 5106

TM03 7737 4806

5. Démarrage de la pompe

5.1 Expulser l'air du système de tuyauterie

Après avoir installé la pompe et après avoir effectué les connexions électriques, on doit expulser l'air du système de tuyauterie.

ATTENTION : N'utilisez jamais la pompe sans liquide; on doit d'abord remplir le système de liquide et expulser l'air.

NOTA : N'expulsez pas l'air du système de tuyauterie en utilisant la pompe.

Suivez plutôt les étapes suivantes :

1. Remplissez et pressurisez le système avec du liquide, et expulsez entièrement l'air qui se trouve dans la tuyauterie en utilisant des moyens appropriés.
2. Si des vannes d'isolation sont utilisées, assurez-vous qu'elles sont OUVERTES.

Advertissement!

Soyez vigilants lorsque vous desserrez la vis d'aération car le liquide qui peut s'en échapper est possiblement brûlant. Il pourrait en résulter des blessures ou des dommages au composantes de la pompe (voir la fig. 12).



5.2 Vérifier le sens de rotation de l'arbre

S'applique seulement aux modèles à deux vitesses 460 V et 575 V

(Vérifiez le sens de rotation des pompes à trois vitesses en utilisant le tableau de recherche de défauts, p. 27 et p. 28).

1. Assurez-vous que la pompe est HORS TENSION.
2. Dévissez et retirez le bouchon d'aération situé au centre de la plaque signalétique.
3. Insérez un petit tournevis à lame plate dans la fente située à l'extrémité de l'arbre du moteur (voir la fig. 12). Faites tourner l'arbre avec le tournevis pour vous assurer qu'il tourne librement.
4. Faites démarrer brièvement puis arrêtez la pompe et observez le sens de rotation de l'arbre. L'arbre doit tourner dans le sens antihoraire tel qu'indiqué sur la plaque signalétique (voir la fig. 11).
5. Si l'arbre de la pompe tourne dans le mauvais sens, coupez l'alimentation électrique et échangez deux fils d'alimentation quelconques dans le boîtier de raccordement.
6. Répétez l'opération pour vérifier le sens de la rotation. Si l'arbre tourne adéquatement dans le sens antihoraire, remettez le bouchon d'aération en place.



Fig. 11 Bouchon d'aération et sens de rotation

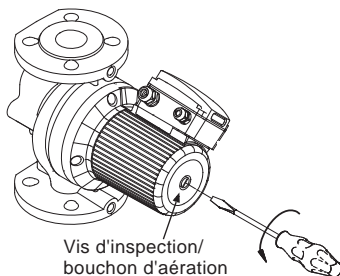


Fig. 12 Retirant le bouchon d'aération

5.3 Sélection de la vitesse

5.3.1 Pompes à trois vitesses, tous les modèles, sauf les modèles 3 x 460 V et 575 V

On peut tourner le commutateur de vitesse dans le boîtier de raccordement pour le sélectionner une des 3 (trois) vitesses. La vitesse correspondant à chacune des trois positions est indiquée dans le tableau ci-dessous (voir aussi la fig. 13).

Position du commutateur	Vitesse en % de la vitesse maximale	
	Pompes monophasées	Pompes triphasées
1	environ 60%	environ 70%
2	environ 80%	environ 85%
3	100%	100%

La sélection d'une vitesse inférieure permet une réduction considérable de la consommation d'énergie et une baisse du bruit dans l'installation.

TM03 7750 4806

TM03 7277 4706

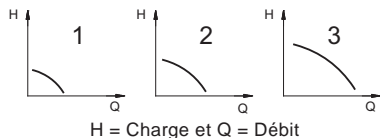


Fig. 13 Rendement de la pompe aux différents réglages de la vitesse



Advertissement!
N'effectuez jamais de connexions dans le boîtier de raccordement si l'alimentation électrique n'a pas été coupée.

Modifiez le rendement de la pompe comme suit :

1. Coupez l'alimentation électrique de la pompe en utilisant le disjoncteur principal. L'indicateur lumineux vert dans le boîtier de raccordement doit être éteint.
2. Retirez le couvercle du boîtier de raccordement en desserrant les quatre vis du couvercle.
3. Retirez le module de commutation des vitesses et remettez-le en place de façon à ce que la vitesse désirée soit visible par la fenêtre du boîtier de raccordement (voir la fig. 14).

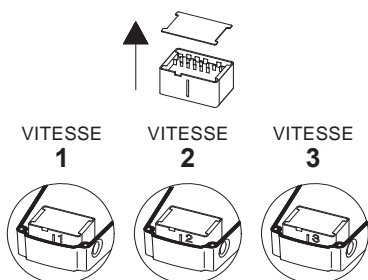


Fig. 14 Commutateur de vitesse

NOTA : Lors du passage vers ou depuis la vitesse 1, on doit retirer le couvercle du module de commutation des vitesses et le remettre en place sur l'autre côté du commutateur.

4. Remettez le couvercle en place sur le boîtier de raccordement et serrez les quatre vis du couvercle.
5. Mettez la pompe sous tension. Assurez-vous que l'indicateur lumineux vert est continuellement allumé ou qu'il clignote.

NOTA : On ne doit jamais utiliser le module de commutation des vitesses comme un commutateur marche/arrêt.

TM03 7736 4806

TM03 7735 4806

5.3.2 Pompes à deux vitesses, 3 x 460 V et 575 V

On peut tourner le commutateur de vitesse dans le boîtier de raccordement pour le placer à deux réglages de vitesse possible, tel qu'indiqué dans le tableau ci-dessous (voir aussi fig. 13 à la p. 26).

Échelonnement des vitesses	Vitesse en % de la vitesse maximale
1	environ 75%
2	100%



Advertissement!
Coupez toujours l'alimentation électrique avant d'effectuer des connexions au boîtier de raccordement.

Modifiez le rendement de la pompe comme suit :

La vitesse est modifiée par la position des cavaliers dans les bornes. Les cavaliers sont placés comme suit :

- figure 15 pour la vitesse 1 – vitesse lente
- figure 16 pour la vitesse 2 – vitesse rapide.

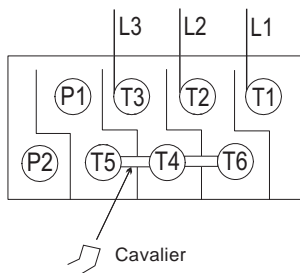


Fig. 15 Vitesse 1 (pour la vitesse lente)

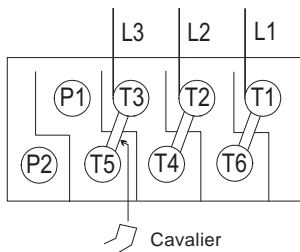


Fig. 16 Vitesse 2 (pour la vitesse rapide)

TM03 7734 4806

TM03 7733 4806

6. Résolution des problèmes

6.1 Tableau de recherche de défauts



Advertissement!

Avant de retirer le couvercle du boîtier de raccordement, assurez-vous que l'alimentation électrique a été coupée, et qu'il n'y a aucun risque que l'alimentation soit rétablie par accident.

Le liquide pompé peut être brûlant et sous haute pression. Avant tout retrait ou démontage de la pompe, le système doit être purgé ou les deux vannes d'isolation, de chaque coté de la pompe, doivent être fermées.

Problème	Cause	Solution
1. La pompe ne fonctionne pas. Les indicateurs lumineux sont tous éteints.	a) Un fusible du système est grillé.	Remplacez le fusible grillé.
	b) Le disjoncteur extérieur est en position hors tension.	Réinitialisez le disjoncteur.
	c) Le disjoncteur de fuite à la terre de courant/tension a été déclenché.	Réparez les défauts d'isolant et réinitialisez le disjoncteur.
	d) Le commutateur thermique intégré de la surcharge de la pompe a été coupé (module standard seulement).	Assurez-vous que la température du liquide est conforme à la plage spécifiée. Grâce au contact de basculement marche/arrêt extérieur : La pompe redémarrera automatiquement lorsqu'elle aura refroidi par attendre la température normale. Grâce aux contacts d'impulsion marche/arrêt extérieurs : La pompe peut être redémarrée lorsqu'elle aura refroidi par attendre la température normale.
2. La pompe ne fonctionne pas. L'indicateur lumineux vert est allumé.	a) Le rotor est bloqué, mais la pompe n'a pas été mise hors circuit par le commutateur de surcharge thermique.	Coupez l'alimentation électrique et nettoyez/réparez la pompe.
	b) Le module de commutation des vitesses n'a pas été installé.	Coupez l'alimentation électrique en utilisant le disjoncteur extérieur et mettez le module de commutation des vitesses en place.
3. Pompes triphasées seulement : La pompe fonctionne. Les indicateurs lumineux rouge et vert sont allumés.	a) La pompe tourne dans le mauvais sens.	Coupez l'alimentation électrique en utilisant le disjoncteur extérieur et échangez deux phases (fils) quelconques dans le boîtier de raccordement de la pompe.
4. Le système est bruyant. L'indicateur lumineux vert est allumé.	a) Il y a de l'air dans le système.	Expulsez l'air du système.
	b) Le débit de la pompe est trop élevé.	Réduisez le rendement de la pompe.
	c) La pression est trop élevée.	Réduisez le rendement de la pompe.
5. La pompe est bruyante. L'indicateur lumineux vert est allumé.	a) Il y a de l'air dans la pompe.	Expulsez l'air de la pompe.
	b) La pression d'entrée est trop faible.	Augmentez la pression d'entrée et/ou vérifiez le volume d'air dans le réservoir d'expansion (s'il a été installé).

Problème	Cause	Solution
6. Chaleur insuffisante à certains endroits du système de chauffage.	a) Le rendement de la pompe est trop faible.	Augmentez le rendement de la pompe, si possible, ou remplacez la pompe par une pompe à débit supérieur.
7. Pompes avec module de protection seulement : La pompe ne fonctionne pas. L'indicateur lumineux rouge est allumé. L'indicateur lumineux vert est éteint.	a) La pompe a été mise hors circuit par le commutateur de surcharge thermique, ceci est causé par la température élevée du liquide, ou le rotor est bloqué.	Assurez-vous que la température du liquide est conforme à la plage spécifiée. La pompe redémarrera automatiquement lorsqu'elle aura refroidi pour atteindre la température normale. NOTA : Si la pompe a été mise hors circuit par le commutateur de surcharge thermique trois fois pendant une période courte, la pompe doit être réenclenchée manuellement en coupant l'alimentation électrique.
	b) Le module de commutation des vitesses n'a pas été installé.	Coupez l'alimentation électrique en utilisant le disjoncteur extérieur principal et mettez le module de commutation des vitesses en place.

6.2 Mesurer la tension d'alimentation

Tension d'alimentation

Utilisez un voltmètre pour vérifier la tension d'alimentation du moteur.



Advertissement!

Soyez prudent puisque la pompe est toujours alimentée. Ne permettez pas aux sondes du voltmètre de se toucher pendant qu'elles sont connectées aux fils d'alimentation.

Évaluation

Lorsque le moteur est sous charge, la tension devrait se maintenir à 10 % (+ ou -) de la tension indiquée sur la plaque signalétique. Toute variation de tension excédant 10% peut indiquer une alimentation électrique de mauvaise qualité, ce qui peut endommager les enroulements du moteur. On ne devrait pas utiliser le moteur dans ces conditions. Contactez votre fournisseur d'énergie électrique pour corriger le problème ou utilisez un autre moteur qui peut être alimenté par la tension électrique que vous recevez.

Moteurs monophasés

Connectez une sonde du voltmètre à chacun des fils électriques qui alimentent les bornes de la pompe :

- L et N pour les circuits 115 V
- L1 et L2 pour les circuits 230 V.

Moteurs triphasés

Connectez les sondes du voltmètre comme suit :

- Fils d'alimentation L1 et L2
- Fils d'alimentation L2 et L3
- Fils d'alimentation L3 et L1.

Ces vérifications doivent indiquer la tension du réseau.

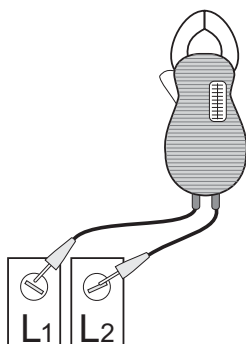


Fig. 17 Vérification de l'alimentation électrique monophasée

TM03 7749 4806

6.3 Mesure du courant

Utilisez un ampèremètre pour vérifier le courant.

Pour le faire, suivez les étapes suivantes :

1. Assurez-vous que la pompe fonctionne.
2. Réglez l'ampèremètre à l'échelle appropriée.
3. Placez les pincettes de l'ampèremètre sur les conducteurs que vous voulez mesurer.
4. Comparez les résultats avec les données d'intensité de courant indiquées sur la plaque signalétique.
5. Répétez la procédure pour les autres conducteurs.

Évaluation

Si l'intensité de courant excède les données d'intensité de courant indiquées sur la plaque signalétique, ou si le déséquilibre de courant excède 5% entre chaque tige desunitéstriphasées, alors vérifiez les paramètres suivants :

- La tension fournie à la pompe pourrait être trop élevée ou trop faible.
- Les contacts du démarreur du moteur peuvent être brûlés.
- Les bornes du démarreur ou du boîtier de raccordement peuvent être desserrées.
- Les enroulements peuvent être défectueux. Vérifiez les enroulements et la résistance d'isolement.
- Les enroulements du moteur peuvent être en court-circuit ou en circuit ouvert.
- La pompe peut être endommagée ou causer une surcharge du moteur.
- Un problème d'alimentation en tension ou d'équilibre de la tension peut être présent.

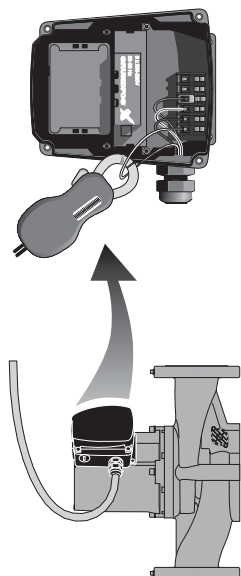


Fig. 18 Vérification du courant

6.4 Résistance d'isolement (entre le fil et la masse)

Utilisez un mégohmmètre pour vérifier la résistance d'isolement (entre le fil et la masse).

Pour le faire, suivez les étapes suivantes :

1. COUPEZ l'alimentation électrique.
2. Déconnectez tous les fils électriques du moteur.
3. Réglez le sélecteur d'échelle du mégohmmètre à R x 100K, connectez les sondes ensemble, et réglez l'indicateur à zéro.
4. Connectez individuellement les sondes du mégohmmètre à chacun des fils du moteur et à la masse (c.-à-d. L1 à la masse; L2 à la masse, etc.).

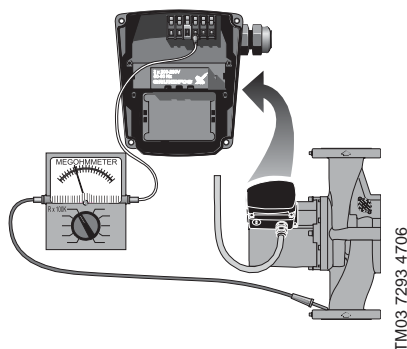


Fig. 19 Vérification de la résistance d'isolement

Évaluation

Les valeurs de résistance pour les moteurs neufs doivent excéder 1.000.000 ohms. Si ce n'est pas le cas, remplacez le moteur.

6.5 Résistance d'enroulement (phase à phase)

Utilisez un mégohmmètre pour vérifier la résistance des enroulements du moteur.

Pour le faire, suivez les étapes suivantes :

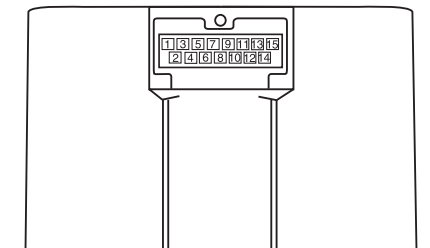
1. COUPEZ l'alimentation électrique.
2. Déconnectez tous les fils électriques du moteur.
3. Réglez le sélecteur d'échelle du mégohmmètre à $R \times 1$, connectez les sondes ensemble, et réglez l'indicateur à zéro.
4. En utilisant les tableaux ci-dessous comme référence, connectez les sondes du mégohmmètre à la paire appropriée de conducteurs. Vérifiez toutes les paires du moteur, prenez note des résultats étiquetez (RA, RS₁, RS₂, R) toutes les lectures.
5. Comparez vos lectures aux données du tableau de ce manuel qui correspondent au modèle, à la phase et à la tension, voir les p. 33 et p. 34.

Évaluation

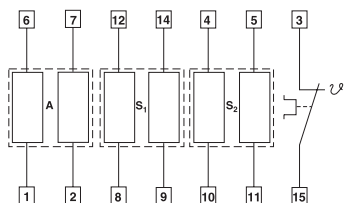
Les valeurs de résistance doivent être conformes aux tolérances indiquées à la p. 33 ou p. 34. Si ce n'est pas le cas, remplacez le moteur.

Câblage interne UPS

Fiche de raccordement du stator



Monophasé



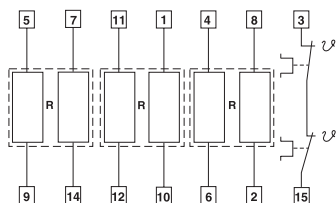
RA : 6-1	ou	6-1, 7-2
RS ₁ : 12-8	ou	12-8, 14-9
RS ₂ : 4-10	ou	4-10, 5-11

RA : Enroulement principal

RS₁ : Enroulement auxiliaire

RS₂ : Enroulement auxiliaire

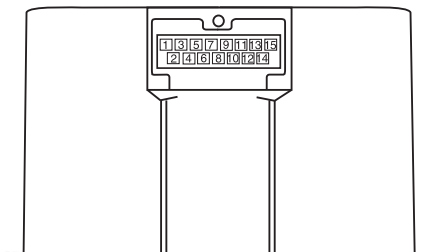
Triphasé 208-230 V



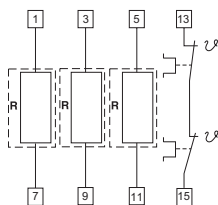
R : 5-9	ou	5-9, 7-14
R : 11-12	ou	11-12, 1-10
R : 4-6	ou	4-6, 8-2

Câblage interne
UPS

Fiche de raccordement du stator



Triphasé 460/575 V



6.6 Tableau de résistance d'enroulement

60 Hz

Modèle de la pompe	Tension	[Ω] 68°F - 122°F (20°C - 50°C)			
		R	RA	RS ₁	RS ₂
UPS 32-40/4	1 x 115 V		17,8 - 23,2	3,95 - 5,20	9,40 - 12,4
	1 x 230 V		70,0 - 91,5	17,0 - 22,2	39,5 - 52,0
	3 x 208 - 230 V	180 - 236			
	3 x 460 V	360 - 470			
	3 x 575 V	575 - 750			
UPS 32-80/2	1 x 115 V		9,55 - 12,6	3,05 - 4,00	6,70 - 8,80
	1 x 230 V		19,4 - 25,5	5,45 - 7,10	12,6 - 16,4
	3 x 208 - 230 V	44,0 - 57,5			
	3 x 460 V	83,5 - 110			
	3 x 575 V	132 - 174			
UPS 32-160/2	1 x 115 V		4,15 - 5,45	1,20 - 1,56	2,65 - 3,50
	1 x 230 V		8,30 - 10,8	2,20 - 2,90	5,05 - 6,65
	3 x 208 - 230 V	26,0 - 34,0			
	3 x 460 V	53,5 - 70,0			
	3 x 575 V	84,5 - 110			
UPS 40-40/4	1 x 115 V		11,4 - 15,0	2,95 - 3,85	5,60 - 7,35
	1 x 230 V		50,5 - 66,5	14,0 - 18,4	25,5 - 34,0
	3 x 208 - 230 V	118 - 154			
	3 x 460 V	234 - 310			
	3 x 575 V	360 - 475			
UPS 40-80/2	1 x 115 V		5,60 - 7,35	1,84 - 2,42	4,50 - 5,90
	1 x 230 V		11,0 - 14,4	3,95 - 5,20	8,55 - 11,2
	3 x 208 - 230 V	32,0 - 42,0			
	3 x 460 V	64,0 - 84,0			
	3 x 575 V	102 - 132			
UPS 40-80/4	1 x 115 V		4,15 - 5,45	1,94 - 2,55	3,30 - 4,35
	1 x 230 V		8,10 - 10,6	3,05 - 4,00	4,60 - 6,05
	3 x 208 - 230 V	46,5 - 61,0			
	3 x 460 V	90,5 - 118			
	3 x 575 V	164 - 216			
UPS 40-160/2	1 x 115 V		2,85 - 3,75	1,10 - 1,44	1,94 - 2,55
	1 x 230 V		5,60 - 7,35	2,02 - 2,66	3,75 - 4,95
	3 x 208 - 230 V	22,8 - 30,0			
	3 x 460 V	45,5 - 59,5			
	3 x 575 V	72,0 - 95,0			
UPS 40-240/2	1 x 230 V		6,80 - 8,95	2,02 - 2,65	3,70 - 4,85
	3 x 208 - 230 V	11,0 - 14,4			
	3 x 460 V	22,0 - 29,0			
	3 x 575 V	35,0 - 45,5			
	UPS 50-40/4	1 x 115 V		6,55 - 8,55	2,12 - 2,80
1 x 230 V			25,0 - 33,0	8,30 - 10,8	15,0 - 19,8
3 x 208 - 230 V		57,5 - 75,0			
3 x 460 V		114 - 148			
3 x 575 V		184 - 242			

[Ω] 68°F - 122°F (20°C - 50°C)					
Modèle de la pompe	Tension	R	RA	RS ₁	RS ₂
UPS 50-80/2	1 x 115 V		4,15 - 5,45	1,20 - 1,56	2,65 - 3,50
	1 x 230 V		8,30 - 10,80	2,20 - 2,90	5,05 - 6,65
	3 x 208 - 230 V	26,0 - 34,0			
	3 x 460 V	33,5 - 70,0			
	3 x 575 V	84,5 - 110			
UPS 50-80/4	1 x 115 V		2,75 - 3,60	1,74 - 2,30	2,85 - 3,75
	1 x 230 V		5,50 - 7,25	2,65 - 3,50	4,95 - 6,50
	3 x 208 - 230 V	37,0 - 49,0			
	3 x 460 V	79,0 - 104			
	3 x 575 V	120 - 156			
UPS 50-160/2	1 x 230 V		6,80 - 8,95	2,02 - 2,65	3,70 - 4,85
	3 x 208 - 230 V	12,4 - 16,2			
	3 x 460 V	24,2 - 31,5			
	3 x 575 V	37,5 - 49,5			
	3 x 208 - 230 V	7,80 - 10,2			
UPS 50-240/2	3 x 460 V	15,6 - 20,6			
	3 x 575 V	25,0 - 33,0			
UPS 53-55/57	1 x 115 V		4,15 - 5,45	1,20 - 1,56	2,65 - 3,50
	1 x 230 V		8,30 - 10,80	2,20 - 2,90	5,05 - 6,65
	3 x 208 - 230 V	26,0 - 34,0			
	3 x 460 V	33,5 - 70,0			
	3 x 575 V	84,5 - 110			
UPS 75-69	1 x 230 V		6,80 - 8,95	2,02 - 2,65	3,70 - 4,85
	3 x 208 - 230 V	12,4 - 16,2			
	3 x 460 V	24,2 - 31,5			
	3 x 575 V	37,5 - 49,5			
	3 x 208 - 230 V	46,5 - 61,0			
UPS 80-40/4	3 x 460 V	90,5 - 118			
	3 x 575 V	164 - 216			
UPS 80-80/4	3 x 208 - 230 V	23,6 - 31,0			
	3 x 208 - 230 V	7,80 - 10,2			
UPS 80 -160/2	3 x 460 V	15,6 - 20,6			
	3 x 575 V	25,0 - 33,0			
	3 x 208 - 230 V	27,5 - 36,0			
UPS 100-40/4	3 x 460 V	54,5 - 71,5			
	3 x 575 V	86,0 - 114			

7. Remplacement de composantes

7.1 Démontage de la tête de pompe

1. Débranchez ou COUPEZ l'alimentation électrique.
2. Fermez les vannes d'isolation situées de chaque côté de la pompe pour éviter de drainer le liquide du système.
3. Déconnectez tous les fils électriques du boîtier de raccordement.
4. Déconnectez et enlevez le conduit du boîtier de raccordement.
5. Desserrez et enlevez les quatre vis creuses (8 ou 10 mm) qui retiennent le boîtier de la tête de pompe au corps de pompe.
6. Enlevez la tête de pompe du corps de pompe.
7. Nettoyez les surfaces usinées du corps de pompe pour éliminer toute matière étrangère.

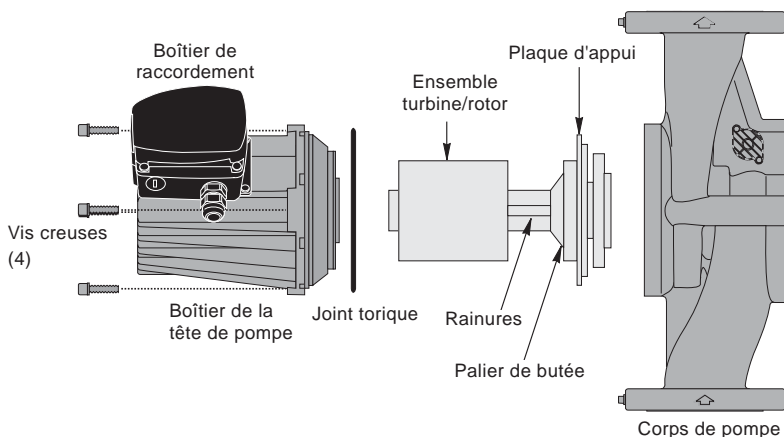


Fig. 20 Démontage et montage de la tête de pompe

7.2 Montage de la tête de pompe

1. Enlevez prudemment le nouvel ensemble de tête de pompe de son emballage. Séparez l'ensemble turbine/rotor de la nouvelle tête de pompe.
2. Tout en tenant le palier de butée, placez prudemment l'ensemble turbine/rotor dans le corps de pompe. La plaque d'appui devrait s'insérer parfaitement dans la surface usinée inférieure du corps de pompe.
3. Assurez-vous que l'ensemble turbine/rotor peut tourner librement.
4. Déposez le joint torique sur le rotor et placez-le dans le diamètre intérieur du corps de pompe.
5. Placez prudemment le boîtier de la tête de pompe sur le rotor et tournez-le pour que le boîtier de raccordement soit dans la position que vous désirez, tel qu'expliqué à la section 4.1 sous "Position du boîtier de raccordement".
6. Assurez-vous que le boîtier de la tête de pompe est adéquatement placé dans le corps de pompe.
N'appliquez pas trop de pression pour réunir les pièces ensemble; si elles collent l'une à l'autre, démontez-les et répétez les étapes 2 à 6. Serrez les vis creuses uniformément pour fixer la tête de pompe.
 Serrez à :
 8 mm 15 lb-pi
 10 mm 25 lb-pi.
7. Vérifiez que l'arbre du moteur peut tourner librement, tel qu'expliqué à la section 4.1 sous "Rotation du boîtier de raccordement".

TM03 7292 4706

7.3 Remplacer le boîtier de raccordement ou le condensateur

Si le boîtier de raccordement est remplacé, assurez-vous que les données électriques indiquées sur le nouveau boîtier correspondent aux données indiquées sur l'ancien boîtier, et qu'il est compatible avec la pompe et la source d'alimentation électrique.

Pour tous les boîtiers de raccordement, il est très important de fixer solidement la vis de mise à la terre du châssis via le boîtier de raccordement, de façon à obtenir une bonne connexion entre le boîtier de raccordement et le moteur.

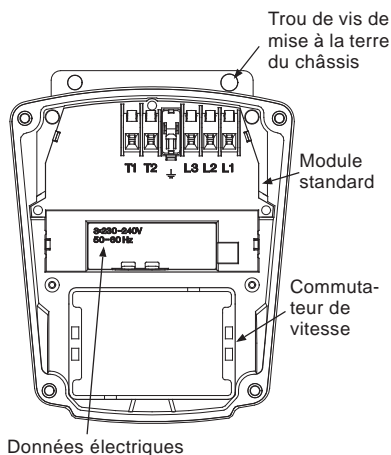


Fig. 21 Boîtier de raccordement

TM03 7742 4806

Toutes	1.	Avant de remplacer le boîtier de raccordement ou le condensateur, assurez-vous que l'alimentation électrique a été COUPÉE.
	2.	Retirez le couvercle du boîtier de raccordement en desserrant complètement les quatre vis standard torx.
	3.	Enlevez le module de commutation des vitesses (en prenant note de sa position) en tirant fermement et uniformément sur les deux côtés du module. (Non applicable pour 460 V/575 V).
Condensateur	a.4.	Remplacement du condensateur, pompes monophasées seulement : Déconnectez les deux colliers d'attaches du condensateur et dévissez l'écrou de serrage en plastique. Enlevez le fil du condensateur et le collier de serrage.
	a.5.	Vissez un nouvel écrou de serrage et connectez de nouveaux colliers d'attache. Retirez le câble à gaine du boîtier de raccordement en vous assurant de laisser au moins 1/8 po. de gaine à l'intérieur du boîtier de raccordement.
Boîtier de raccordement	b.4.	Remplacement du boîtier de raccordement : Déconnectez tout le câblage, enlevez les trois vis cruciformes qui retiennent le boîtier de raccordement en place et enlevez le boîtier de raccordement en tirant fermement et uniformément sur les deux côtés.
	b.5.	Assurez-vous que le joint en caoutchouc clair est en place autour de la tige d'attache du boîtier de raccordement, poussez délicatement le boîtier de raccordement dans la douille du stator, remettez en place les trois vis cruciformes du boîtier de raccordement et le câblage.
Toutes	6.	Réinstallez le commutateur de vitesse à la bonne place en vous assurant de le pousser complètement à l'intérieur. (Non applicable pour 460 V/575 V).
	7.	Remettez en place le couvercle du boîtier de raccordement et serrez les quatre vis standard torx.
	8.	Mettez la pompe sous tension. La pompe est maintenant prête pour l'utilisation.

8. Mise au rebut

Ce produit ou des parties de celui-ci doit être mis au rebut tout en préservant l'environnement:

1. Utiliser le service local public ou privé de collecte des déchets.

2. Si ce n'est pas possible, envoyer ce produit à Grundfos ou au réparateur agréé Grundfos le plus proche.

Nous nous réservons tout droit de modifications.

This page intentionally left blank.

This page intentionally left blank.

U.S.A.

GRUNDFOS Pumps Corporation
17100 West 118th Terrace
Olathe, Kansas 66061
Phone: +1-913-227-3400
Telefax: +1-913-227-3500

Canada

GRUNDFOS Canada Inc.
2941 Brighton Road
Oakville, Ontario
L6H 6C9
Phone: +1-905 829 9533
Telefax: +1-905 829 9512

México

Bombas GRUNDFOS de
México S.A. de C.V.
Boulevard TLC No. 15
Parque Industrial Stiva
Aeropuerto
Apodaca, N.L.C.P. 66600
Phone: +52-81-8144 4000
Telefax: +52-81-8144 4010

96459998 10.11

L-UPS-TL-001 10.11	US
Repl. L-UPS-TL-01 0207	

© 2003, 2007, 2011 Grundfos Pumps Corp.

The name Grundfos, the Grundfos logo, and the payoff
Be-Think-Innovate are registered trademarks owned by Grundfos
Management A/S or Grundfos A/S, Denmark. All rights reserved.