
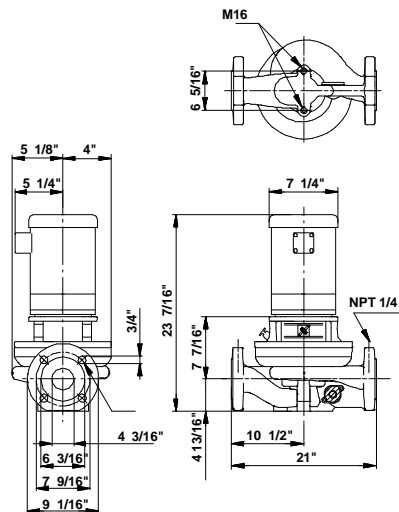
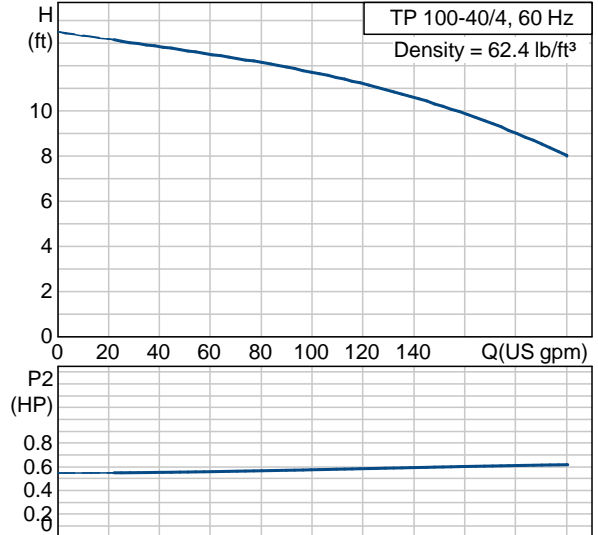




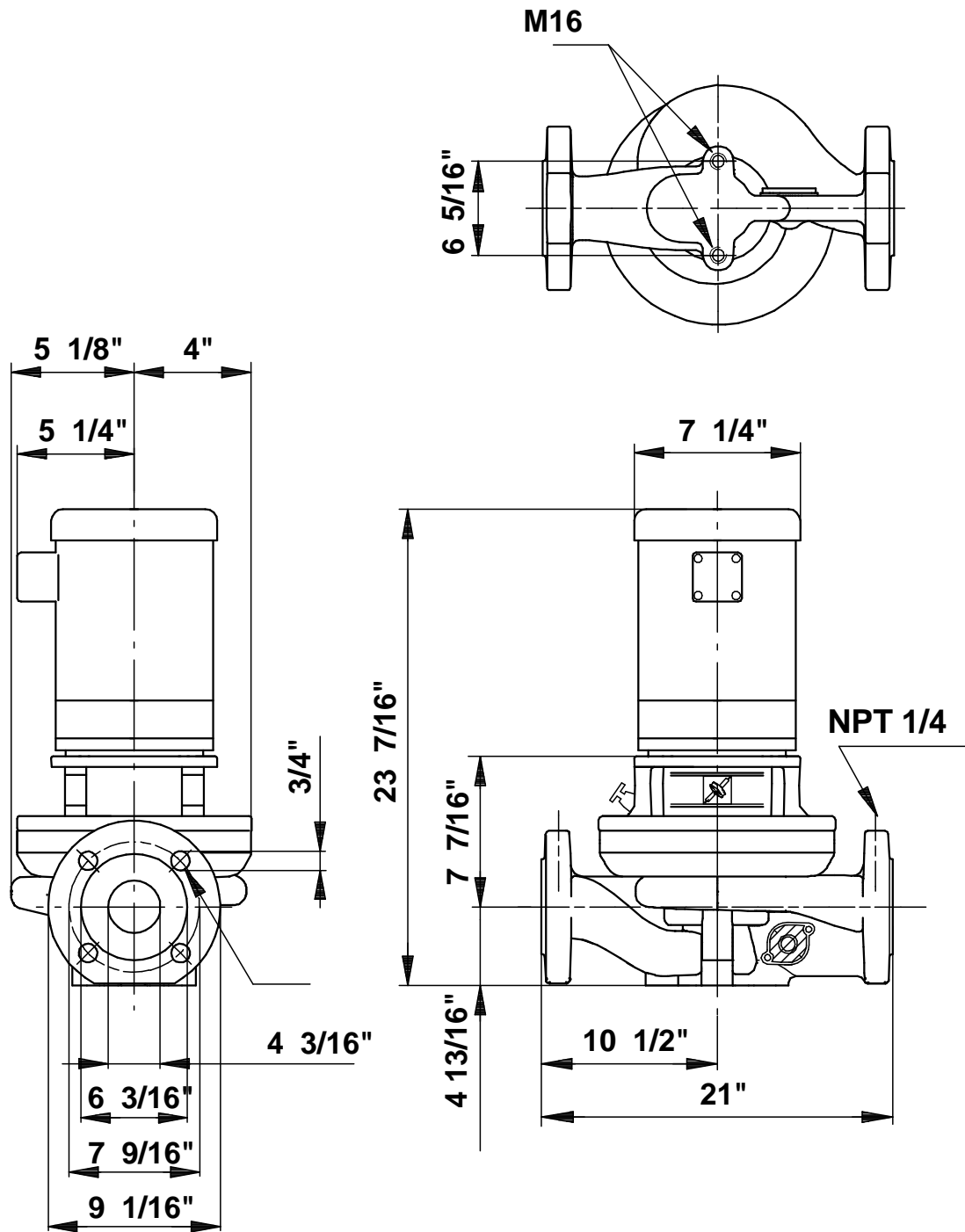
Position	Count	Description	Unit price
	-1	<p>TP 100-40/4 U-G-A-BUBE</p>  <p>Product photo could vary from the actual product</p> <p>Product No.: 96411842 Single-stage centrifugal in-line single-head pump.</p> <p>The in-line design with opposite suction and discharge ports enables mounting in pipework or on a concrete foundation.</p> <p>The shaft seal is a corrosion-resistant maintenance-free mechanical seal.</p> <p>The motor is a 1-phase AC motor.</p> <p>Liquid: Liquid temperature range: 5 .. 284 °F Density: 62.4 lb/ft³</p> <p>Technical: Speed for pump data: 1770 rpm Rated flow: 181 US gpm Rated head: 9.19 ft Shaft seal: BUBE Maximum operating pressure: 145 psi Approvals on motor nameplate: UL Recognized Component, CSA</p> <p>Materials: Pump housing: Cast iron EN-JL1040 ASTM 25 B Impeller: Stainless steel DIN W.-Nr. 1.4301 AISI 304</p> <p>Installation: Maximum ambient temperature: 104 °F Maximum operating pressure: 145 psi Flange standard: ANSI Pipe connection: 4" Pressure stage: 125 Lb.</p>	On request

Position	Count	Description	Unit price
		<p>Electrical data:</p> <p>Motor type: Baldor, TEFC Number of poles: 4 Rated power - P2: 1.01 HP Main frequency: 60 Hz Rated voltage: 1 x 115/208-230 V Service factor: 1,15 Rated current: 12,8/7-6,4 A Starting current: 74/40,9-37 A Cos phi - power factor: 73 Rated speed: 1725 rpm Motor efficiency at full load: 67 % Insulation class (IEC 85): B</p> <p>Others:</p> <p>Net weight: 148 lb Gross weight: 157 lb Shipping volume: 4.98 ft³</p>	

Description	Value
Product name:	TP 100-40/4 U-G-A-BUBE U-G-A-BUBE
Product Number:	96411842
EAN number:	5700390525828
Technical:	
Speed for pump data	1770 rpm
Rated flow:	181 US gpm
Rated head:	9.19 ft
Head max:	13.1 ft
Shaft seal:	BUBE
Maximum operating pressure	145 psi
Approvals on motor nameplate:	UL Recognized Component, CSA
Pump Number:	96405277
Pump version:	U
Materials:	
Pump housing:	Cast iron EN-JL1040 ASTM 25 B
Impeller:	Stainless steel DIN W.-Nr. 1.4301 AISI 304
Material code:	A
Installation:	
Maximum ambient temperature:	104 °F
Maximum operating pressure	145 psi
Flange standard:	ANSI
Connect code:	G
Pipe connection:	4"
Pressure stage:	125 Lb.
Liquid:	
Liquid temperature range	5 .. 284 °F
Density:	62.4 lb/ft ³
Electrical data:	
Motor type:	Baldor, TEFC
Number of poles:	4
Rated power - P2:	1.01 HP
KVA code:	K
Main frequency:	60 Hz
Rated voltage:	1 x 115/208-230 V
Service factor:	1,15
Rated current:	12,8/7-6,4 A
Starting current	74/40,9-37 A
Load current:	15/8,1-7,5 A
Cos phi - power factor:	73
Rated speed:	1725 rpm
Motor efficiency at full load:	67 %
Insulation class (IEC 85):	B
Motor protection:	CONTACT
Thermal protec:	internal
Motor Number:	85701004
Others:	
Net weight:	148 lb
Gross weight:	157 lb
Shipping volume:	4.98 ft ³
Country code:	Namreg



96411842 TP 100-40/4 60 Hz



Note! All units are in [mm] unless others are stated.
 Disclaimer: This simplified dimensional drawing does not show all details.