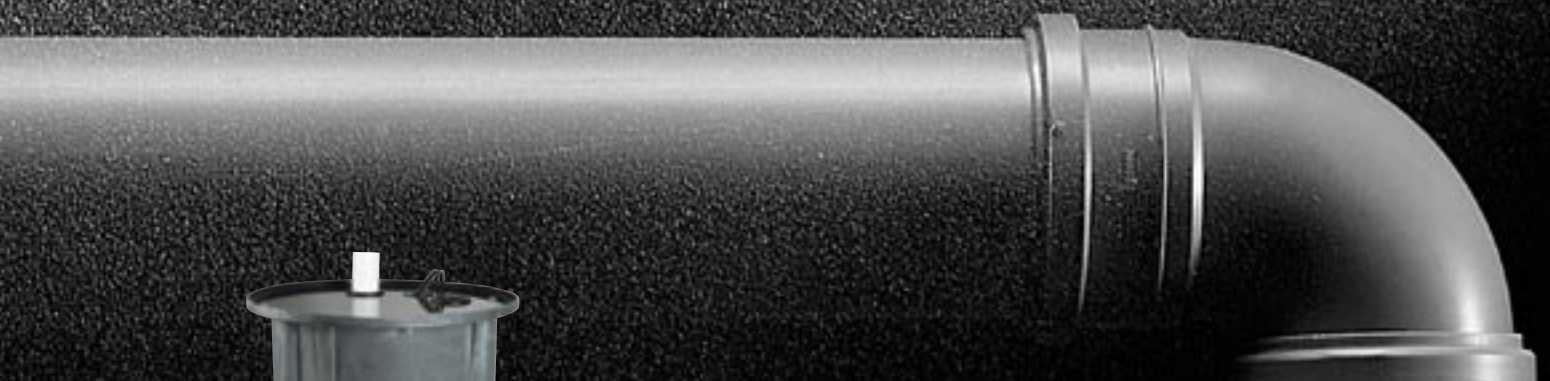


SUMP, SEWAGE & EFFLUENT



Products and Accessories

KP 150 250 350



APPLICATIONS

- Basement Sumps
- Dewatering
- Water transfer

PUMP MODELS

KP150

- 1/4 hp, 115 volt, 1-phase

KP250

- 1/3 hp, 115 volt, 1-phase

KP350

- 1/2 hp, 115 volt, 1-phase

SPECIFICATIONS

- Capacity to 62 GPM
- Heads to 31 feet
- Discharge size 1-1/4" female NPT
- Power Cord 10' or 25'
- Solids 3/8" maximum

MATERIALS OF CONSTRUCTION

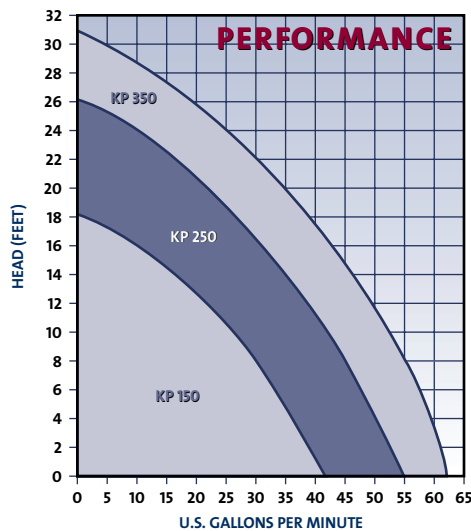
Stainless Steel

FEATURES & BENEFITS

- Lightweight
- Corrosion resistant
- Manual or automatic operation
- Field replaceable power cords
- Continuous duty
- Fluid Temp. Range: 32°F (0°C) min. 122°F (50°C) max.
- Minimum pumping level 1/2"

AGENCY LISTINGS

- UL Listed
- Canadian Standard Association



PERFORMANCE IN GALLONS PER MINUTE			
TDH	KP 150	KP 250	KP 350
5	35	50	59
10	25	43	52
15	12	33	44
20	-	23	35
25	-	7	22
30	-	-	4

AP12



APPLICATIONS

- Basement Sumps
- Dewatering
- Water transfer

SPECIFICATIONS

- 1/2 hp, 115 volt, 1-phase
- Capacity to 78 GPM
- Heads to 33 feet
- Discharge size 1-1/2" female NPT
- Power Cord 10' or 25'
- Solids 7/16" maximum

MATERIALS OF CONSTRUCTION

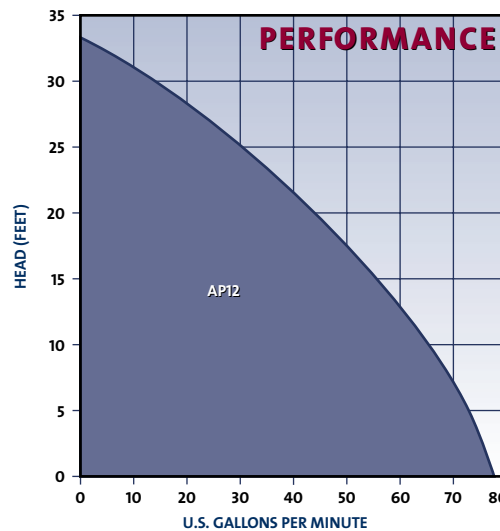
Stainless Steel

FEATURES & BENEFITS

- Lightweight
- Corrosion resistant
- Manual or automatic operation
- Field replaceable power cords
- Continuous duty when fully submerged
- Fluid Temp. Range: 32°F (0°C) min. 131°F (55°C) max.
- Minimum pumping level 1-3/8"

AGENCY LISTINGS

- UL Listed
- Canadian Standard Association



PERFORMANCE IN GALLONS PER MINUTE	
TDH	AP 12
5	72
10	64
15	55
20	43
25	31
30	15

SU25



APPLICATIONS

- Basement Sumps
- Dewatering
- Water transfer

SPECIFICATIONS

- 1/4 hp, 115 volt, 1-phase
- Capacity to 37 GPM
- Heads to 16 feet
- Discharge size 1-1/2" female NPT
- Power Cord 8'
- Solids 3/16" maximum

MATERIALS OF CONSTRUCTION

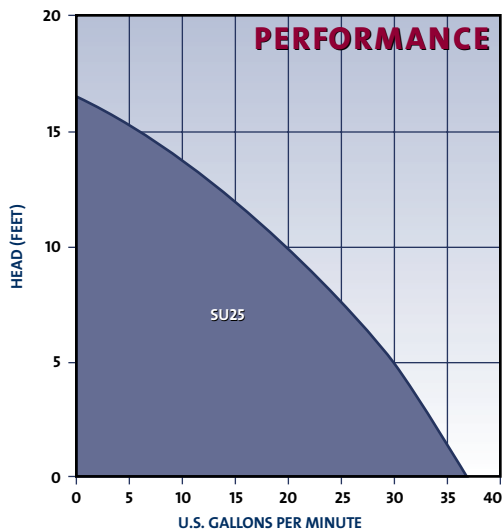
Engineered Composite

FEATURES & BENEFITS

- Lightweight
- Corrosion resistant
- Manual or automatic operation
- Swing or vertical switch options
- Impact resistant
- Continuous duty when fully submerged
- Fluid Temp. Range: 40°F (4.4°C) min. 120°F (48.9°C) max.

AGENCY LISTINGS

- UL Listed
- Canadian Standard Association



SERIES II SU



APPLICATIONS

- Basement Sumps
- Water transfer

PUMP MODELS

SU252

1/4 hp, 115 volt, 1-phase

SU332

1/3 hp, 115 volt, 1-phase

SPECIFICATIONS

- Capacity to 45 GPM
- Heads to 24 feet
- Discharge size 1-1/2" female NPT
- Power Cord 10' or 20'
- Solids 5/16" maximum (SU252)
- Solids 1/2" maximum (SU332 & SU332AV)

MATERIALS OF CONSTRUCTION

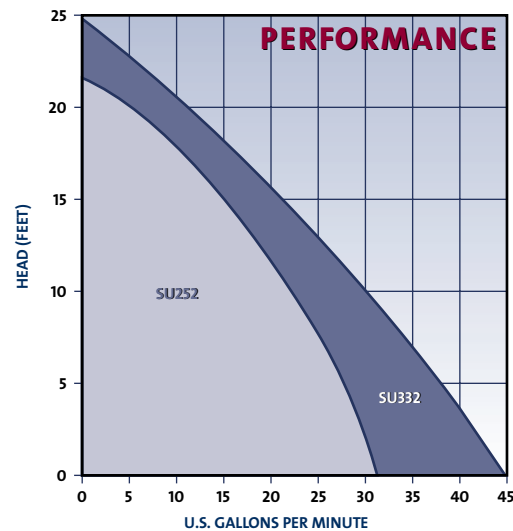
Stainless Steel
Engineered Composite

FEATURES & BENEFITS

- Lightweight
- Corrosion resistant
- Manual or automatic operation
- Swing or vertical switch options
- Field replaceable power cords
- Continuous duty when fully submerged
- Fluid Temp. Range: 32°F (0°C) min. 104°F (40°C) max.

AGENCY LISTINGS

- UL Listed
- UL Listed to Canadian safety standards



EF25



MATERIALS OF CONSTRUCTION

Engineered Composite

APPLICATIONS

- Graywater pumping
- Septic Tanks Effluent
- STEP Systems
- Water transfer
- Dewatering
- Basement Sumps

SPECIFICATIONS

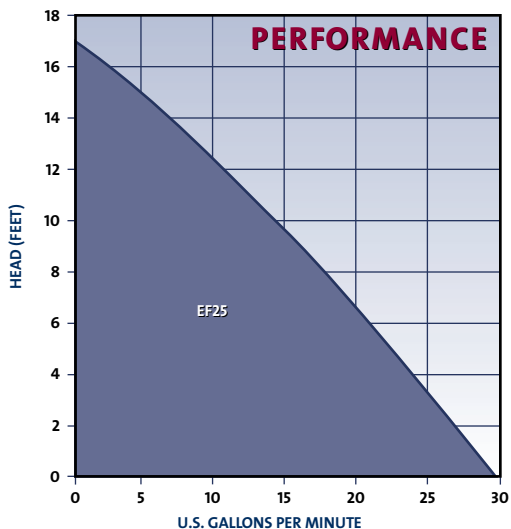
- 1/4 hp, 115 volt, 1-phase
- Capacity to 29 GPM
- Heads to 17 feet
- Discharge size 1-1/4" female NPT and 3/4" adjustable hose fitting (included)
- Power Cord 8'
- Solids 1/4" convertible to 1/2" maximum

FEATURES & BENEFITS

- Lightweight
- Corrosion resistant
- Manual or automatic operation
- Swing or vertical float option
- Impact resistant
- Continuous duty when fully submerged
- Fluid Temp. Range: 40°F (0°C) min. 120°F (48.9°C) max.

AGENCY LISTINGS

- UL Listed
- Canadian Standard Association



PERFORMANCE IN GALLONS PER MINUTE	
TDH	EF 25
2	26
4	23.5
6	20.5
8	17.5
10	14
12	10.5
14	6.5

SERIES II EF



APPLICATIONS

- Graywater pumping
- Septic Tanks Effluent
- STEP Systems
- Water transfer
- Basement Sumps

PUMP MODELS

- EF302**
 - 3/10 hp, 115 volt, 1-phase
- EF332**
 - 1/3 hp, 115 volt, 1-phase
- EF402**
 - 4/10 hp, 115 volt, 1-phase

SPECIFICATIONS

- Capacity to 59 GPM
- Heads to 31 feet
- Discharge size 1-1/2" female NPT
- Power Cord 10' or 20'
- Solids 1/2" maximum (EF302)
- Solids 3/4" maximum (EF332 & EF402)

MATERIALS OF CONSTRUCTION

Stainless Steel

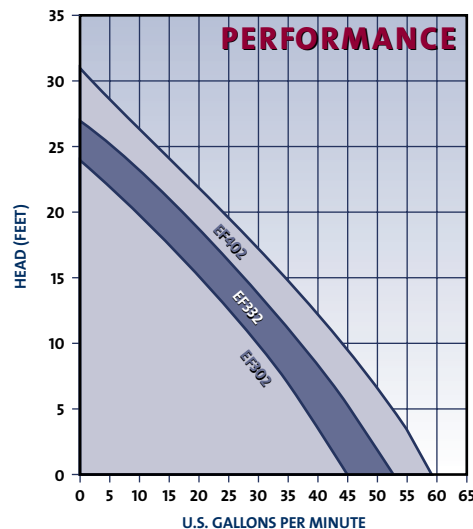
Engineered Composite

FEATURES & BENEFITS

- Lightweight
- Corrosion resistant
- Manual or automatic operation
- Swing or vertical float option
- Field replaceable power cords
- Continuous duty when fully submerged
- Fluid Temp. Range: 32°F (0°C) min. 104°F (40°C) max.

AGENCY LISTINGS

- UL Listed
- UL Listed to Canadian safety standards



PERFORMANCE IN GALLONS PER MINUTE			
TDH	EF 302	EF 332	EF 402
5	38	45	52
10	31	36	44
15	22	26	34
20	11	15.5	23
25			12

EF33E



MATERIALS OF CONSTRUCTION

Stainless Steel
Engineered Composite

FEATURES & BENEFITS

- Lightweight
- Corrosion resistant
- Manual or automatic operation
- Field replaceable power cords
- Continuous duty when fully submerged
- Fluid Temp. Range: 32°F (0°C) min. 104°F (40°C) max.

AGENCY LISTINGS

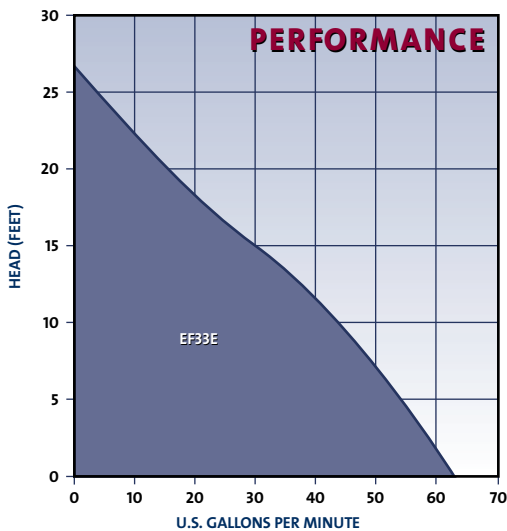
- UL Listed
- UL Listed to Canadian safety standards

APPLICATIONS

- Graywater pumping
- Septic Tanks Effluent
- STEP Systems
- Water transfer

SPECIFICATIONS

- 1/3 hp, 115 or 230 volt, 1-phase
- Capacity to 64 GPM
- Heads to 27 feet
- Discharge size 1-1/2" female NPT
- Power Cord 10' or 20'
- Solids 3/4" maximum



PERFORMANCE IN GALLONS PER MINUTE	
TDH	EF 33E
5	56
10	44
15	30
20	16

EF



- Capacity to 120 GPM
- Heads to 90 feet
- Discharge size 2" female NPT
- Power cord 10' or 20'
- Solids 3/4" maximum

MATERIALS OF CONSTRUCTION

Stainless Steel
Engineered Composite

APPLICATIONS

- Graywater pumping
- Septic Tanks Effluent
- STEP Systems
- Water transfer

PUMP MODELS

- EF33** • 1/3 hp, 115 or 230 volt, 1-phase
- EF50** • 1/2 hp, 115 or 230 volt, 1-phase
- EF75** • 3/4 hp, 230 volt, 1-phase
- EF100** • 1 hp, 230 volt, 1-phase
- EF150** • 1-1/2 hp, 230 volt, 1-phase

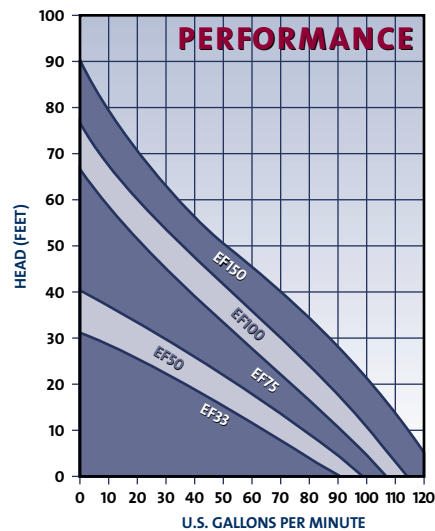
FEATURES & BENEFITS

- Lightweight
- Corrosion resistant
- Manual or automatic operation
- Field replaceable power cords
- Continuous duty when fully submerged
- Fluid Temp. Range: 32°F (0°C) min. 104°F (40°C) max.

AGENCY LISTINGS

- UL Listed
- UL Listed to Canadian safety standards

SPECIFICATIONS



PERFORMANCE IN GALLONS PER MINUTE						
TDH	EF 33	EF 50	EF 75	EF 100	EF 150	
5	82	92	100	108	120	
10	70	82	92	102	114	
15	58	72	86	94	108	
20	40	60	76	88	102	
25	22	46	66	80	94	
30		30	58	70	87	
35		16	46	60	78	
40			36	52	70	
45			28	42	60	
50			20	34	50	
55				26	42	
60				20	34	
65					25	

SE



APPLICATIONS

- Home Wastewater Systems
- Sewage Systems
- Light Commercial
- Water transfer

PUMP MODELS

SE40 = 4/10 hp, 115 or 230 volt, 1-phase

SE50 = 1/2 hp, 115 or 230 volt, 1-phase

SE75 = 3/4 hp, 230 volt, 1-phase

SE100 = 1 hp, 230 volt, 1-phase

SE150 = 1-1/2 hp, 230 volt, 1-phase

SPECIFICATIONS

- Capacity to 170 GPM
- Heads to 47.5 feet
- Discharge size 2" female NPT
- Power Cord 10' or 20'
- Solids 2" maximum

MATERIALS OF CONSTRUCTION

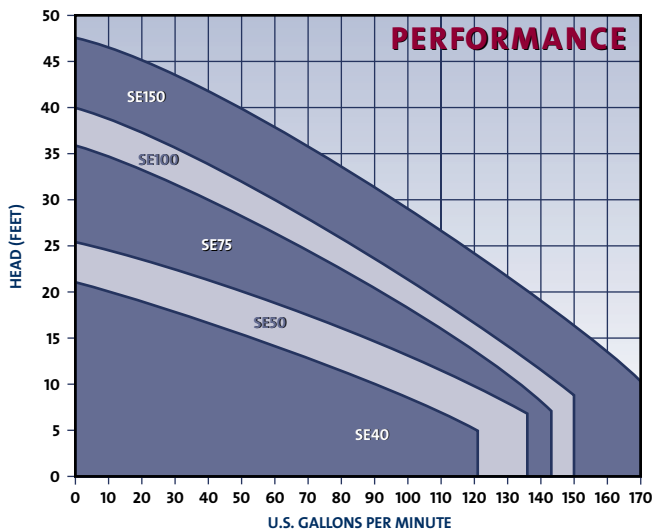
- Stainless steel
- Engineered Composite

FEATURES & BENEFITS

- Lightweight
- Corrosion resistant
- Manual or automatic operation
- Field replaceable power cords
- Continuous duty when fully submerged
- Fluid Temp. Range: 32°F (0°C) min. 104°F (40°C) max.

AGENCY LISTINGS

- UL Listed
- UL Listed to Canadian safety standards



PERFORMANCE IN GALLONS PER MINUTE					
TDH	SE 40	SE 50	SE 75	SE 100	SE 150
5	122				
10	90	122	134	146	170
15	56	90	112	126	154
20	10	50	90	104	136
25			67	84	116
30			40	60	97
35				34	76
40					50
45					20

SINK-PAQ™



MATERIALS OF CONSTRUCTION

Pump:
Stainless Steel
Engineered Composite

Basin & Cover:
Polypropylene

Discharge Pipe:
PVC (included)

Check Valve:
PVC (included)

FEATURES & BENEFITS

- Lightweight
- Corrosion resistant
- Automatic operation
- Compact size: Able to put sinks where there are no drains, no need to break cement to install.
- Fluid Temp. Range: 32°F (0°C) min. 104°F (40°C) max.

AGENCY LISTINGS

- Built using UL listed pumps and UL recognized switches.

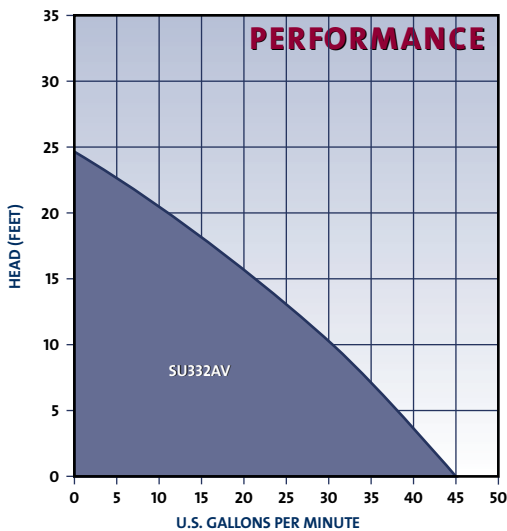
APPLICATIONS

- Laundry trays
- Bar sinks
- Drinking fountains
- Dehumidifiers
- Air conditioning condensate

SPECIFICATIONS

SU332AV

- 1/3 hp, 115 volt, 1-phase
- Capacity to 45 GPM
- Heads to 24 feet
- Discharge 1-1/2" female NPT
- Power Cord 10'
- Solids 1/2" maximum



E-PAQ™



MATERIALS OF CONSTRUCTION

Pump:
Stainless Steel
Engineered Composite

Basin:
Polyethylene

Cover:
Steel

Discharge Pipe:
PVC (included)

Check Valve:
PVC (included)

FEATURES & BENEFITS

- Lightweight
- Corrosion resistant
- Automatic operation
- Field replaceable power cords
- Fluid Temp. Range: 32°F (0°C) min. 104°F (40°C) max.
- Vents 2" or 3"

AGENCY LISTINGS

- Built using UL listed pumps and UL recognized switches.

APPLICATIONS

- Home wastewater system
- Sewage lift station
- Dewatering
- Water transfer

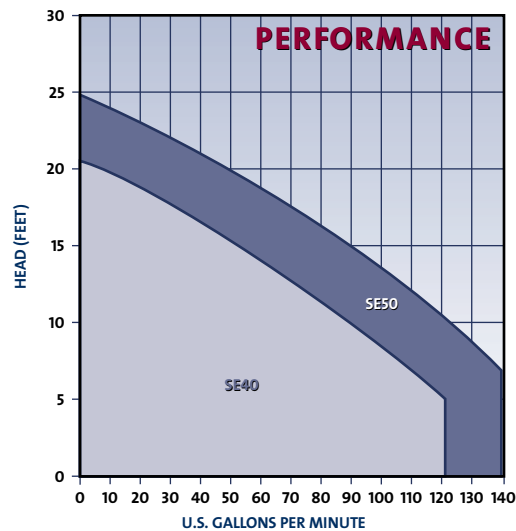
PUMP MODELS

SE40 • 4/10 hp, 115 or 230 volt, 1-phase

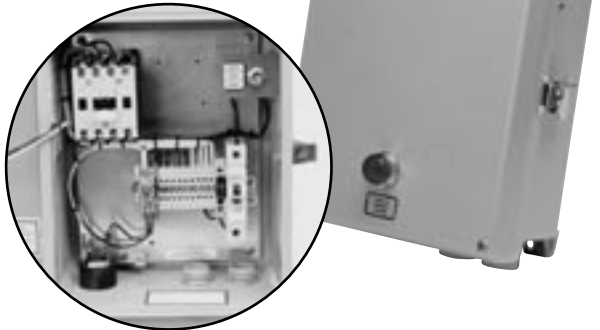
SE50 • 1/2 hp, 115 or 230 volt, 1-phase

SPECIFICATIONS

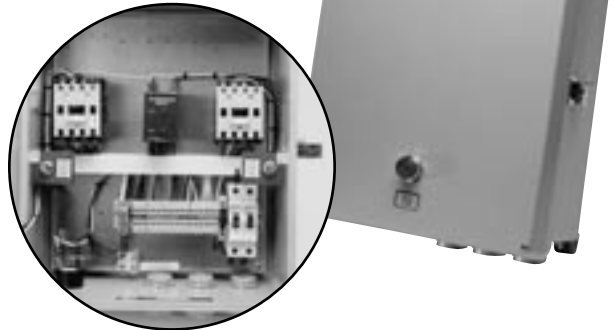
- Capacity to 138 GPM
- Heads to 25 feet
- Discharge size 2" female NPT
- Power Cord 10' or 20'
- Solids 2" maximum



Simplex Panel



Duplex Panel



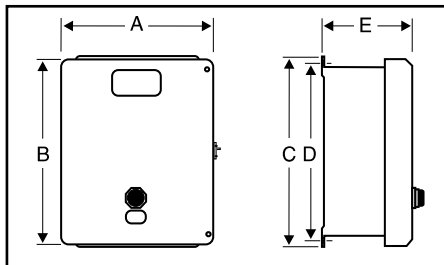
Standard Features

LISTING: Underwriters Laboratories, UL 508.
 RATINGS: Model S1 rated up to 120 VAC, 1 Hp, 16 A, Single Phase, 60 Hz. Model S2 rated at 230 VAC, 1-1/2 Hp, 16 A, Single Phase, 60 Hz.
 MOTOR-START CONTRACTOR: Rated for 24 FLA, Single Phase, 60 Hz.
 CURRENT LIMITING CIRCUIT BREAKER: 20 amp, OFF/ON switch, DIN rail mounting with thermal magnetic tripping characteristics. (Single Pole/120 V; Double Pole/240V)
 TOGGLE SWITCH: A SPDT HOA switch with a 10 A 115V/20A 230V motor rating.
 FUSE DISCONNECT: 5 amp (10,000 AIC) fuse with DIN rail mount.
 AUDIBLE ALARM: Panel mount with a minimum of 80 db sound pressure at 24 inches, warble tone sound.
 VISUAL ALARM: NEMA 4-rated, 7/8 inch diameter, red lens, oil-tight with push-to-silence feature.
 AUDIO-ALARM SILENCE RELAY: 120 VAC, automatic reset, with DIN rail mount socket base.
 ALARM CIRCUIT: 120 VAC, wired separately from pump circuit, so that if the pump's internal overload switch or current-limiting circuit breaker is tripped the alarm system remains functional.
 ENCLOSURE: NEMA 4X-rated, fiberglass with hinged cover. Noncorroding. External mounting ears.
 PADLOCKABLE LATCH: Constructed of noncorroding stainless steel.

Standard Features

LISTING: Underwriters Laboratories, UL 508 Listed.
 RATINGS: Model D1 rated up to 120 VAC, 1 Hp, 16 A, Single Phase, 60 Hz. Model D2 rated at 240 VAC, 1-1/2 Hp, 16 A, Single Phase, 60 Hz.
 MOTOR-START CONTRACTOR: Rated for 24 FLA, Single Phase, 60 Hz.
 CURRENT LIMITING CIRCUIT BREAKER: 20 amp, OFF/ON switch, DIN rail mounting with thermal magnetic tripping characteristics. (Single Pole/120 V; Double Pole/240V)
 TOGGLE SWITCH: A SPDT HOA switch with a 20 amp motor rating.
 FUSE DISCONNECT: 5 amp (10,000 AIC) fuse with DIN rail mount.
 DUPLEX ALTERNATOR: Cross wired style for independent lag pump function.
 AUDIBLE ALARM: Panel mount with a minimum of 80 db sound pressure at 24 inches, warble tone sound.
 VISUAL ALARM: NEMA 4-rated, 7/8 inch diameter, red lens, oil-tight with push-to-silence feature.
 AUDIO-ALARM SILENCE RELAY: 120 VAC, automatic reset, with DIN rail mount socket base.
 ALARM CIRCUIT: Wired separately from pump circuit, so that if the pump's internal overload switch or current-limiting circuit breaker is tripped the alarm system remains functional.
 ENCLOSURE: NEMA 4X-rated, fiberglass with hinged cover. Noncorroding. External mounting ears.
 PADLOCKABLE LATCH: Constructed of noncorroding stainless steel.

Dimensional Drawing



Sensor Floats

Part Number	Length
96001030	10'
96001031	20'

Dimensions

Part Number	Panel Type	Model	Phase	Voltage	Horsepower	A	B	C	D	E
96001032	Simplex	S1	1	115	1/3 - 1	9 ⁵ / ₁₆	11 ⁵ / ₁₆	11 ¹ / ₂	10 ³ / ₄	5 ¹ / ₂
96001040	Simplex	S2	1	230	1/3 - 1 1/2	9 ⁹ / ₁₆	11 ⁷ / ₁₆	11 ¹ / ₂	10 ³ / ₄	5 ¹ / ₂
96001033	Duplex	D1	1	115	1/3 - 1	13 ³ / ₁₆	15 ⁵ / ₁₆	15 ¹ / ₂	14 ³ / ₄	8 ¹ / ₄
96001041	Duplex	D2	1	230	1/3 - 1 1/2	13 ⁷ / ₁₆	15 ⁷ / ₁₆	15 ¹ / ₂	14 ³ / ₄	8 ¹ / ₄

GRUNDFOS HIGH LEVEL TANK ALARMS

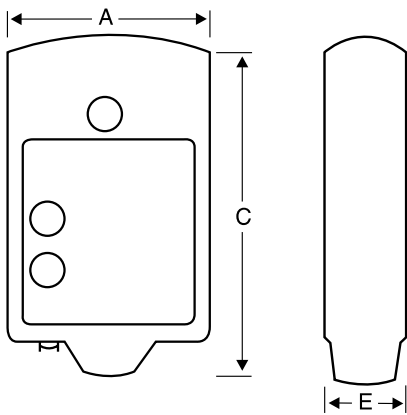
Tank Alert AB



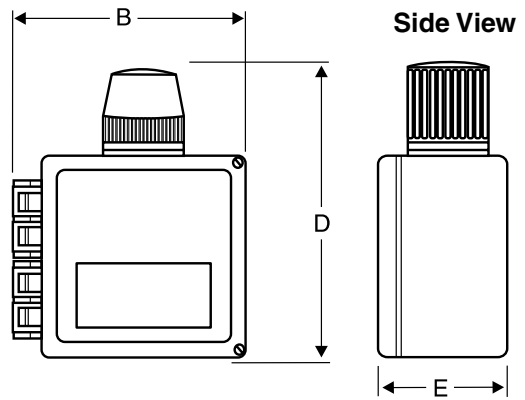
Tank Alert 4X



Dimensional Drawing



Dimensional Drawing



Specifications

MODEL: Tank Alert AB

ALARM PANEL: The NEMA 1 plastic panel features a red alarm light, a green "power on" light, alarm "test" switch, and a horn silence switch.

FLOAT SWITCH: SJE's SignalMaster[®] control switch with mounting clamp.

SPLICE KIT: (optional) This UL Listed splice kit provides a safe means to make a strong, waterproof splice connection if additional cable length is required.

VOLTAGE: Primary 120 V. 60 Hz. Secondary 9 V. 60 Hz.

WATTS: 2.4 Watts max.

ALARM SWITCH CONNECTION TERMINAL: 1 Amp, 24 V.A.C.

FLOAT HOUSING: 3.38 in. diameter x 4.55 in. long, high impact resistant, non-corrosive PVC plastic with internal stabilizing weight. For use in liquids up to 140°F (60°C).

MECHANICAL TILT SWITCH: Mechanically-activated, features heavy-duty contacts.

FLOAT SWITCH CABLE: 15 ft. long, 16 gauge, 2 conductor, SJOW-A water resistant, Neoprene.

Specifications

MODEL: Tank Alert 4X

ALARM PANEL: The NEMA 4X non-corrosive, indoor-outdoor alarm panel features a large, red light, specially designed non-corrosive horn, silence switch (with automatic reset feature) and alarm test switch. Thermoplastic enclosure.

ALARM FLOAT: SJE's Pump Master[®] Pump/Control Switch.

VOLTAGE: 120 V.A.C.

NOTE: Power to the alarm must be 120 V.A.C. only.

WATTS: 40 watts max. (alarm condition).

AUXILIARY ALARM CONTACTS (Optional): 5 Amps, 120 V.A.C.

FLOAT HOUSING: 3.38 in. diameter x 4.55 in. long, high impact resistant, non-corrosive PVC plastic for use in liquids up to 140°F (60°C).

MECHANICAL TILT SWITCH: Mechanically-activated, features heavy-duty contacts.

FLOAT SWITCH CABLE: 15 ft. long, 18 gauge, 2 conductor, SJOW-A water resistant, Neoprene.

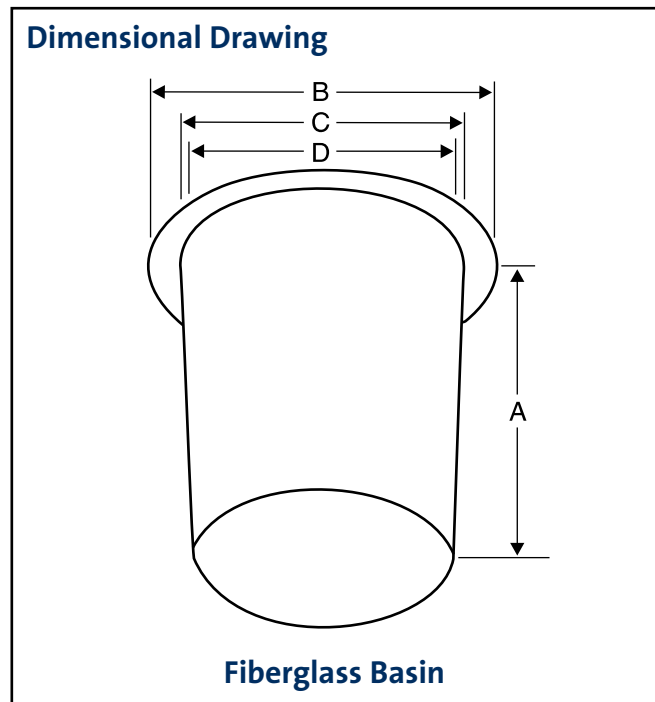
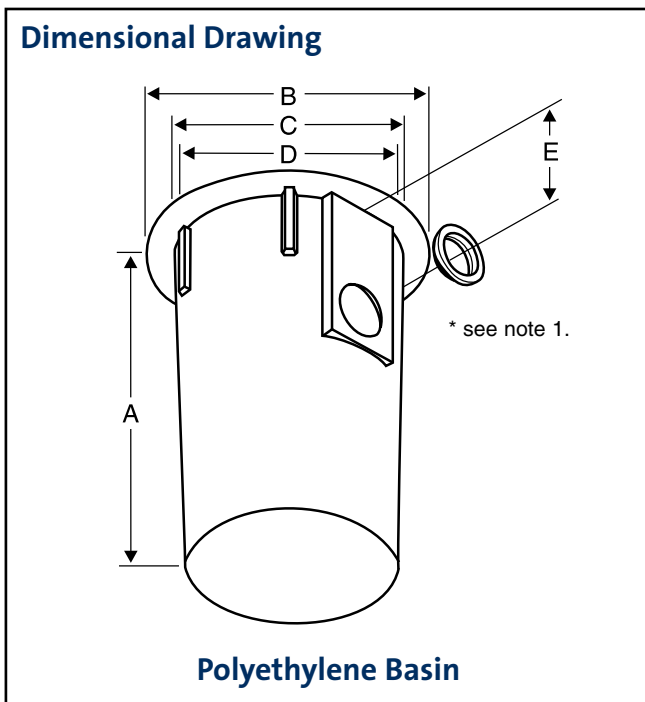
Dimensions

Part Number	Type	A	B	C	D	E
96001042	Tank Alert AB	6"	—	4"	—	2 1/4"
96001043	Tank Alert 4X	—	5 3/10"	—	6 2/5"	5 1/4"

Ejector Basin/Polyethylene



Ejector Basin/Fiberglass



*1. 18" and 24" Basin provided with 4" Adapt-A-Flex Fitting.

2. Fiberglass Basins require that a hole be cut for inlet fitting. See Hubs and Fittings (page 4) for proper hole sizing.

Dimensions

Part Number	Type	Size Diameter x Depth	Capacity	Weight	Wall Thickness	A	B	C	D	E	Materials of Construction
96001004	Ejector Basin	18" x 30"	30 gallons	10½ lbs.	3/16"	30"	22"	18 ³ / ₁₆ "	18"	10 ¹ / ₂ "	Polyethylene
96001005	Ejector Basin	24" x 36"	71 gallons	26 lbs.	1/4"	36"	29 ¹ / ₂ "	24 ¹ / ₂ "	24"	10 ¹ / ₂ "	Polyethylene
96001006	Ejector Basin	30" x 36"	110 gallons	35 lbs.	5/16"	36"	36 ¹ / ₂ "	30 ¹ / ₂ "	30"	–	Fiberglass
96001007	Ejector Basin	36" x 36"	159 gallons	45 lbs.	5/16"	36"	40"	36 ³ / ₄ "	36"	–	Fiberglass

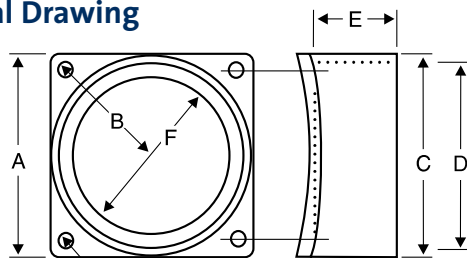
Caulking Hubs



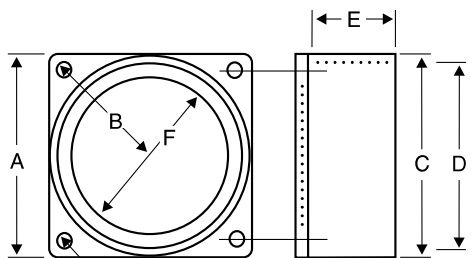
Adapt-A-Flex Fittings



Dimensional Drawing

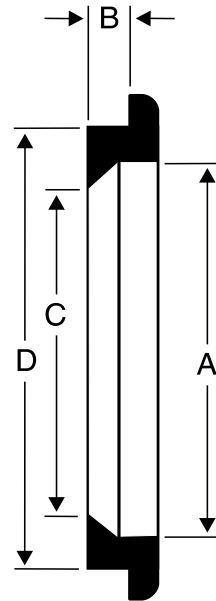


Four $\frac{5}{16}$ " mounting holes
Size: 3", 4" & 6" (for Fiberglass Basins)



Four $\frac{5}{16}$ " mounting holes
Size: 4" only (for Polyethylene Basins)

Dimensional Drawing

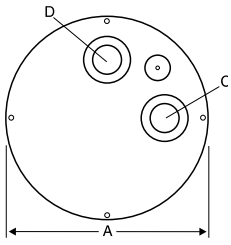


Size: 3", 4" & 6"

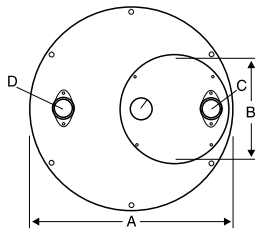
Dimensions

Part Number	Type	Sizes Available	A	B	C	D	E	F	Hole Saw Size
96001507	Hub	3"	4 $\frac{3}{4}$ "	2 $\frac{5}{8}$ "	4 $\frac{5}{8}$ "	4"	2 $\frac{1}{8}$ "	3"	—
96001508	Hub	4"	6"	3 $\frac{3}{8}$ "	5 $\frac{7}{8}$ "	5 $\frac{1}{8}$ "	2 $\frac{1}{4}$ "	4 $\frac{1}{8}$ "	—
96001509	Hub	6"	8"	4 $\frac{5}{8}$ "	7 $\frac{3}{4}$ "	7 $\frac{1}{8}$ "	2 $\frac{1}{4}$ "	6 $\frac{1}{8}$ "	—
96001510	Hub	4"	5 $\frac{3}{4}$ "	3 $\frac{3}{8}$ "	5 $\frac{7}{8}$ "	5	2 $\frac{1}{4}$ "	3 $\frac{3}{4}$ "	—
96001504	Fitting	3"	3 $\frac{15}{32}$ "	$\frac{1}{4}$ "	3 $\frac{1}{8}$ "	4 $\frac{1}{32}$ "	—	—	4"
96001505	Fitting	4"	4 $\frac{15}{32}$ "	$\frac{1}{4}$ "	4 $\frac{1}{8}$ "	5 $\frac{1}{16}$ "	—	—	5"
96001506	Fitting	6"	6 $\frac{23}{32}$ "	$\frac{9}{32}$ "	6 $\frac{13}{32}$ "	7 $\frac{1}{8}$ "	—	—	7"

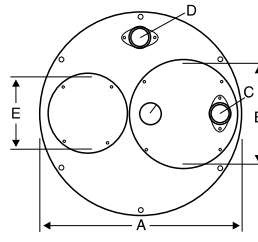
Dimensional Drawings



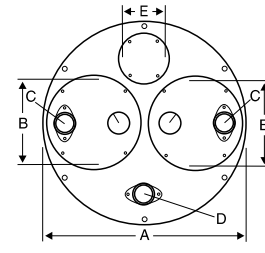
Simplex



Simplex with Pump Access



Simplex with Inspection and Pump Access



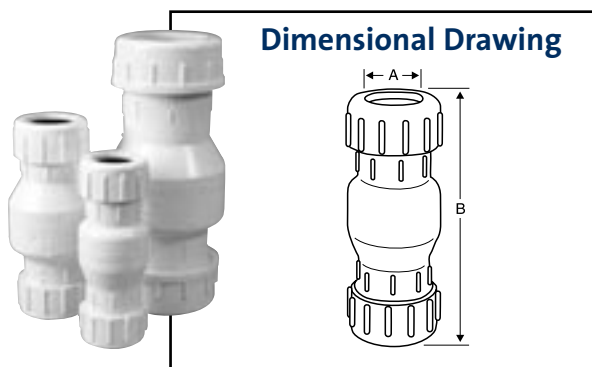
Duplex with Inspection and Pump Access

Dimensions

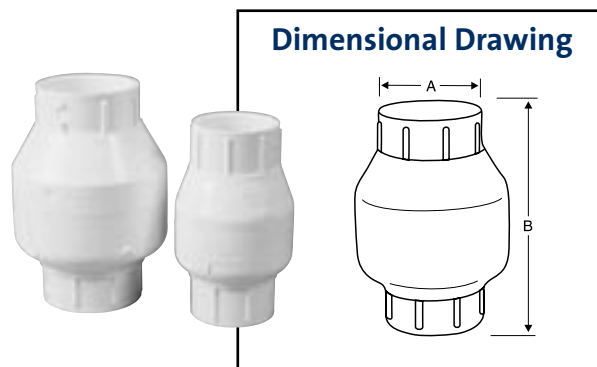
Part Number	Cover Type	Basin Size I.D.	Standard Bolt Circle -Holes	A	B	C	D	E	Cover Thickness	Approx. Wt. (lbs.)	Materials of Const.	Gasket & Bolt Pack
				Cover O.D.	Pump Access I.D.	Discharge Size	Vent Size	Inspection I.D.				
96001008	simplex	18"	19 1/4"-4	20 1/2"	none	2"	2"	none	7 ga.	17	steel	96001010
96001009		18"				2"	3"					96001011
96001012	simplex	24"	26 1/2"-6	28"	16"	2"	2"	none	1/4"	48	steel	96001014
96001013		24"				2"	3"					96001014
96001016	simplex	30"	32 1/2"-6	34"	16"	2"	2"	8"	1/4"	64	steel	96001014
96001017		30"				2"	3"					96001014
96001020	duplex	30"	32 1/2"-6	34"	14"	2"	2"	8"	1/4"	66	steel	96001015
96001021		30"				2"	3"					96001015
96001024	simplex	36"	38 1/2"-6	40"	16"	2"	2"	8"	1/4"	93	steel	96001014
96001025		36"				2"	3"					96001014
96001028	duplex	36"	38 1/2"-6	40"	16"	2"	2"	8"	1/4"	95	steel	96001015
96001029		36"				2"	3"					96001015

GRUNDFOS CHECK VALVES

Compression



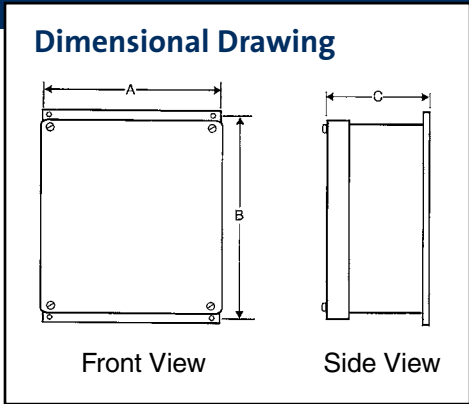
Solvent Weld



Dimensions

Part Number	Type	A	B	Box Qty.	Materials of Construction
96001644	Compression	1 1/2"		1	PVC, Buna-N
96001645	Compression	2"		1	PVC, Buna-N
96001048	Compression	1 1/2"	7 1/2"	5	PVC, Buna-N
96001049	Compression	2"	9 3/4"	8	PVC, Buna-N
96001050	Compression	3"	14"	2	PVC, Buna-N
96001046	Solvent Weld	1 1/2"	5 3/4"	12	PVC, Buna-N
96001047	Solvent Weld	2"	6"	12	PVC, Buna-N

GRUNDFOS JUNCTION BOX



Specifications

MATERIALS: Lid and box are made from a flame retardant, ultra-violet resistant, reinforced PVC.

GASKET: Polyethylene foam.

SCREWS: 304 stainless steel.

ENCLOSURE: NEMA 4X

Dimensions

Part Number	A	B	C	Volume (cubic inches)
96001051	6"	6"	4 ³ / ₈ "	157

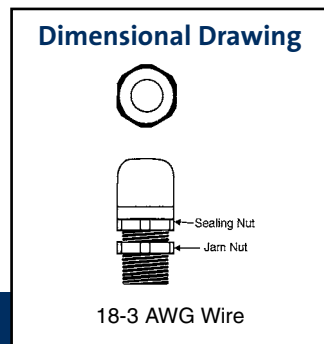
GRUNDFOS ACCESSORY & REPLACEMENT FLOAT SWITCHES

Switch Model	Description	Cord Length	Approx. Ship. Wt. (lbs./oz.)	Product Number	List Price (\$)
TF-10	Tether Float Switch (for Models SU & EF 25)	10'	2	96001643	34.00
VF-10	Vertical Float Switch (for Model EF25)	10'	2	96001642	41.00
FS-10	Wide Angle Mechanical Float Switch, Piggyback Design, Boxed (for Models KP & AP)	10'	2	ID3799	43.00
FS-25	Wide Angle Mechanical Float Switch Piggyback Design, Boxed (for Models KP & AP)	25'	3	ID3800	47.00

GRUNDFOS VERTICAL SWITCH

Switch Model	Description	Max. Run Amps	Cord Length	Approx. Ship. Wt. (lbs./oz.)	Product Number	List Price (\$)
VFS	Vertical Float Switch	13	10'	1	96030395	50.00

GRUNDFOS CORD GRIPS



Dimensions

Part Number	Hole/Wire Gauge Requirement	AWG
96001052	1/2" NPT	18-3
96001053	1/2" NPT	16-3

BE > THINK > INNOVATE >

Being responsible is our foundation
Thinking ahead makes it possible
Innovation is the essence

L-SE-SL-001	Rev. 03/04
PRINTED IN USA	

Grundfos Pumps Corporation
17100 W. 118th Terrace
Olathe, Kansas 66061
Telephone: (913) 227-3400

www.grundfos.com

Grundfos Canada, Inc.
2941 Brighton Rd.
Oakville, Ontario L6H 6C9
Telephone: (905) 829-9533
Fax: (905) 829-9512

Bombas Grundfos de Mexico, S.A. de C.V.
Boulevard TLC #15, Parque Industrial Stiva Aeropuerto
C.P. 66600 Apodaca, N.L. Mexico
Telephone: 52-8-144-4000
Fax: 52-8-144-4010

GRUNDFOS 