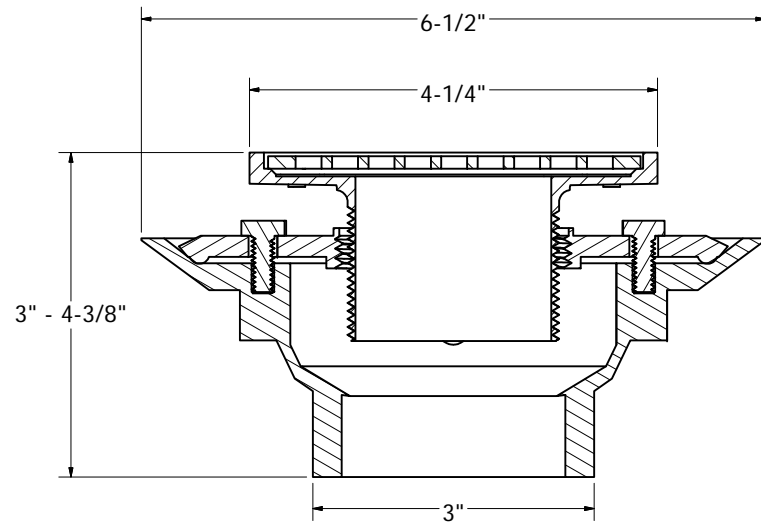
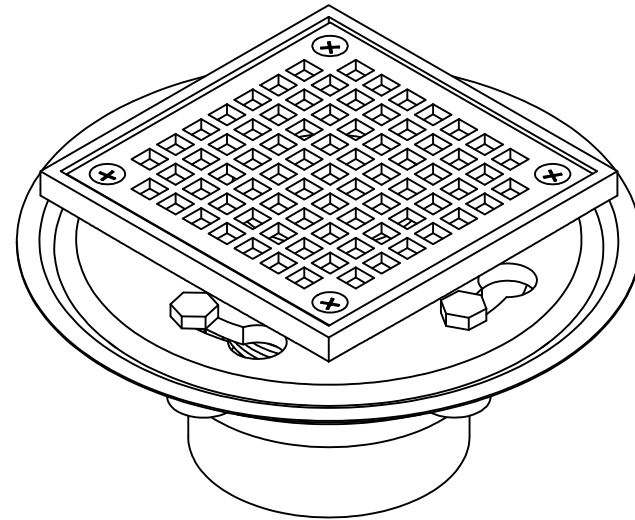
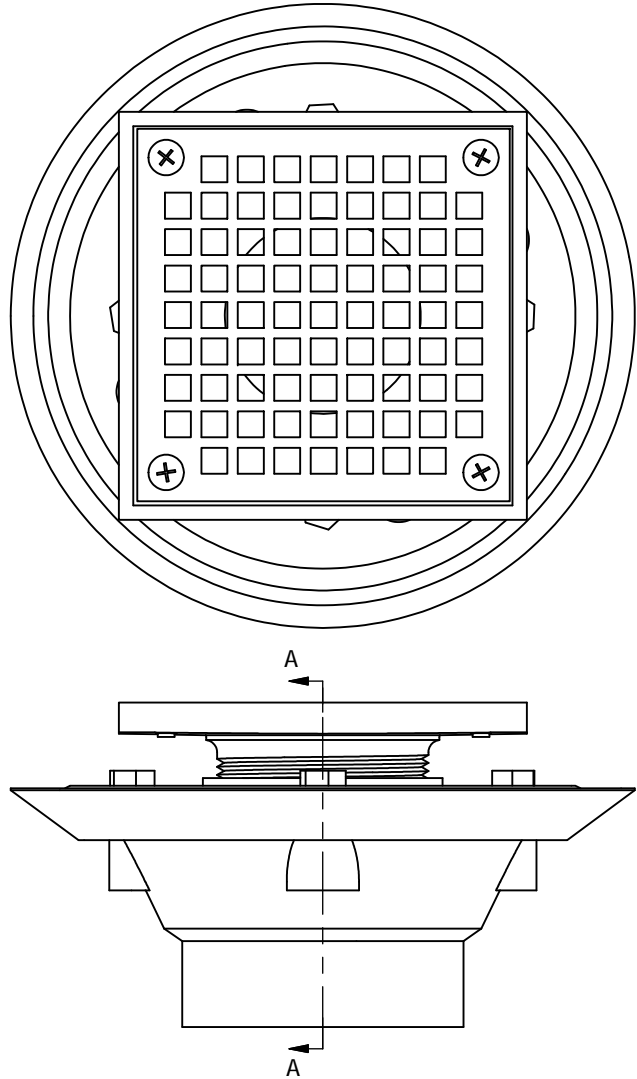


# 2" X 3" SHOWER DRAIN WITH 2" BRASS SPUD AND 4-1/4" SQUARE STRAINER



PHONE NUMBER  
1-800-355-6637  
FAX NUMBER  
1-800-462-6991  
SCALE 1 : 1 DATE 11-30-12  
SHEET 1 OF 1  
DRAWN BY  
ASHLEY KRALOVEC

PART NO.	D50942	D5094BN	D5094RB	D5094WB
FINISH	CHROME PLATED	BRUSHED NICKEL	OIL RUBBED BRONZE	OLD WORLD BRONZE
CTN QTY	1	1	1	1