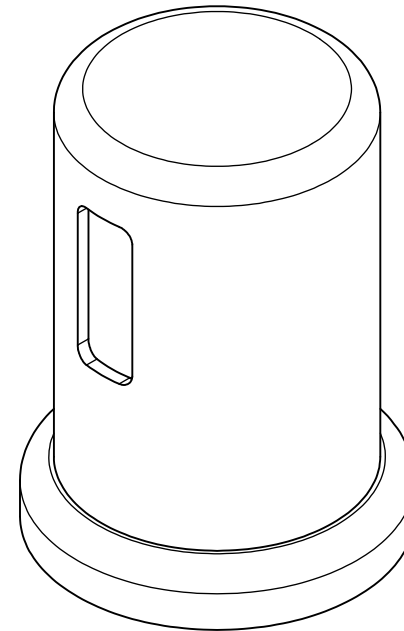
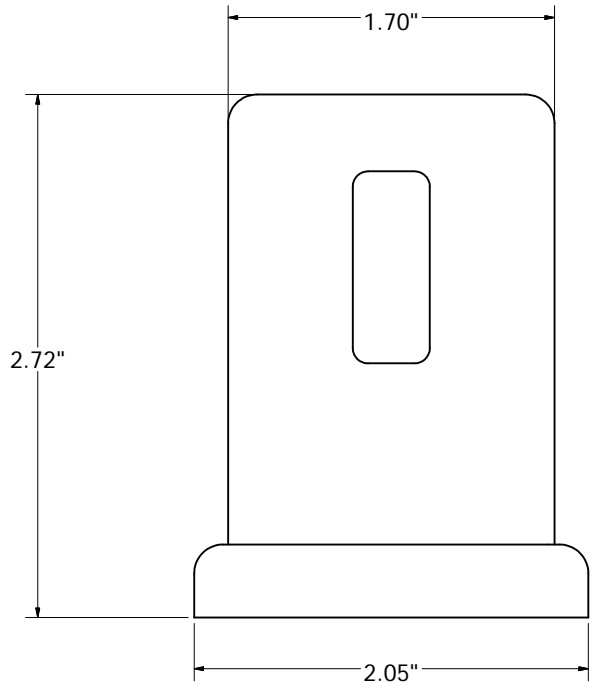
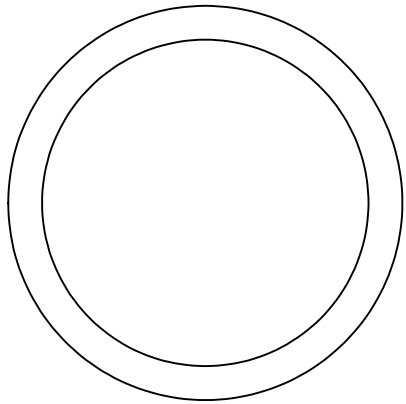


DECORATIVE AIR GAP COVER



- MANUFACTURED OF CELCON WILL NOT CRACK, CHIP, OR PEEL
- REPLACES CHROME COVER ON MOST AIR GAPS
- BLISTER CARD PACKAGING



PHONE NUMBER 1-800-355-6637	
FAX NUMBER 1-800-462-6991	
SCALE 2 : 1	DATE 8-26-11
SHEET 1 OF 1	
DRAWN BY ASHLEY KRALOVEC	

PART NO.	A10015	A10016	A10017	A10018	A10019	
FINISH	CHROME	GOLD	OIL RUBBED BRONZE	BRUSHED NICKEL	OLD WORLD BRONZE	