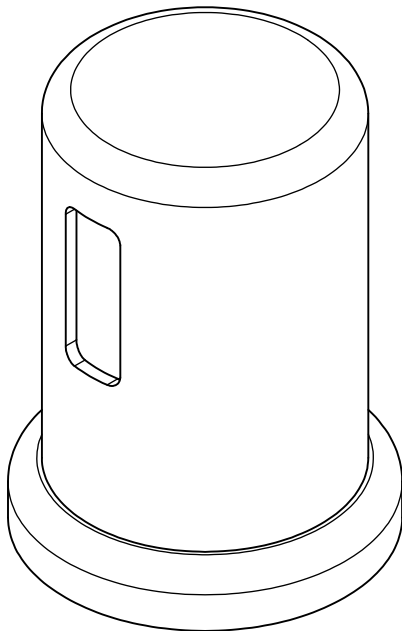
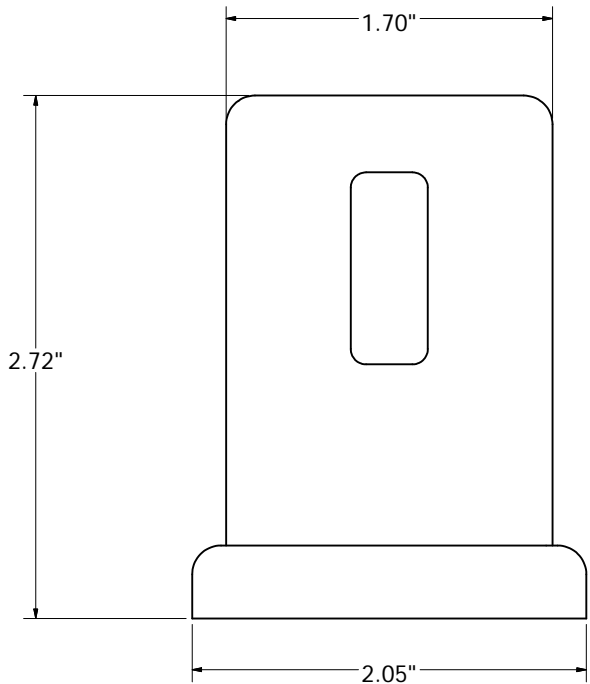
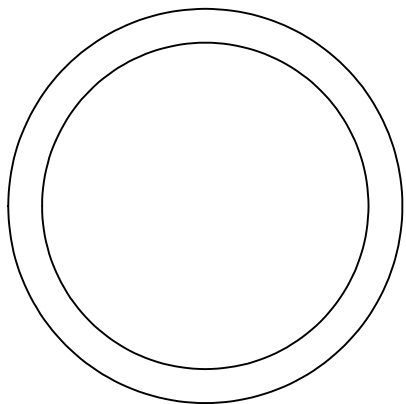


# DECORATIVE AIR GAP COVER



- MANUFACTURED OF CELCON WILL NOT CRACK, CHIP, OR PEEL
- REPLACES CHROME COVER ON MOST AIR GAPS
- BLISTER CARD PACKAGING



PHONE NUMBER  
**1-800-355-6637**  
 FAX NUMBER  
**1-800-462-6991**  
 SCALE: 2 : 1      DATE: 8-26-11  
 SHEET  
**1 OF 1**  
 DRAWN BY  
**ASHLEY KRALOVEC**

|          |        |        |                   |                |                  |  |
|----------|--------|--------|-------------------|----------------|------------------|--|
| PART NO. | A10015 | A10016 | A10017            | A10018         | A10019           |  |
| FINISH   | CHROME | GOLD   | OIL RUBBED BRONZE | BRUSHED NICKEL | OLD WORLD BRONZE |  |
|          |        |        |                   |                |                  |  |