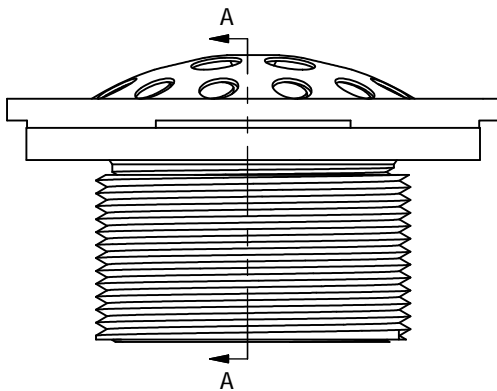
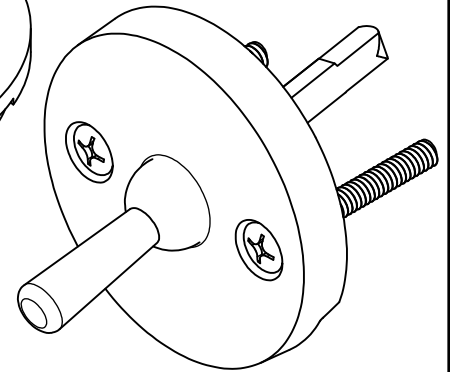
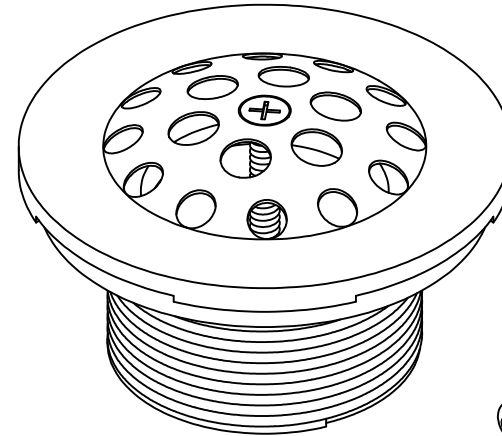
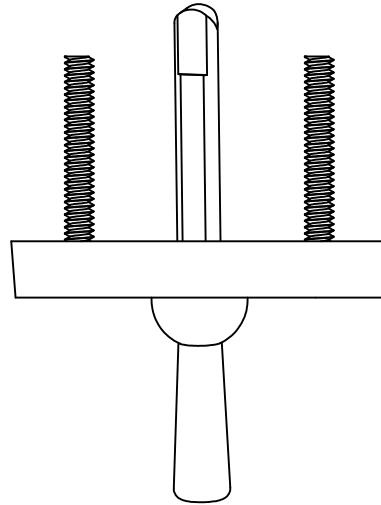
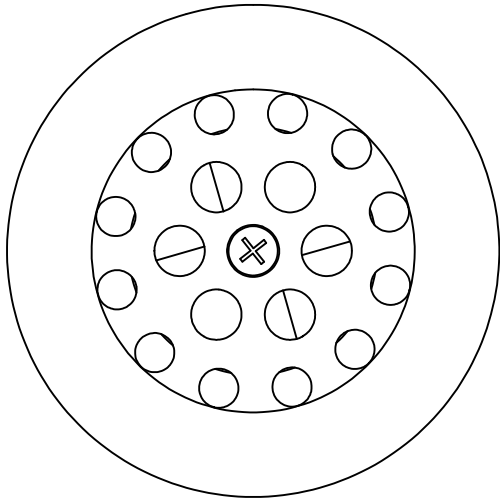
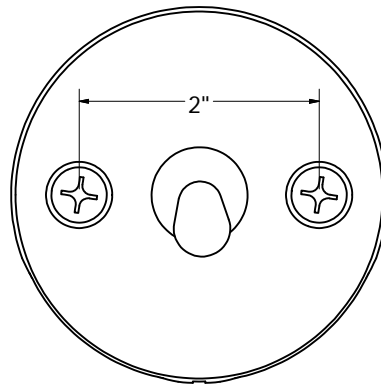


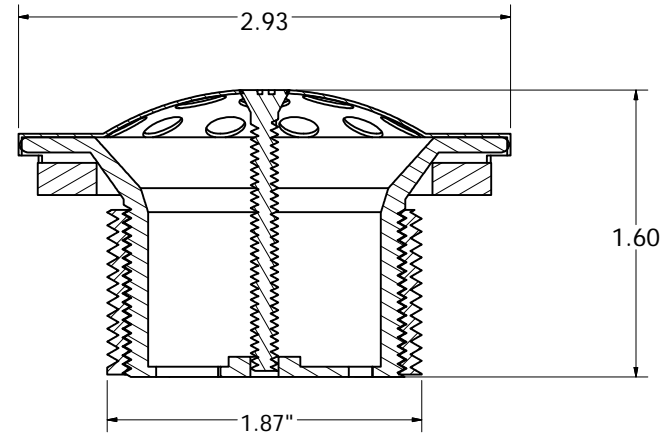
# TRIP LEVER CONVERSION KITS



SCALE - 2 : 1



SCALE 1.25 : 1



SECTION A-A  
SCALE 1.75



PHONE NUMBER  
**1-800-355-6637**  
FAX NUMBER  
**1-800-462-6991**  
SCALE \_\_\_\_\_ DATE 8-19-11  
SHEET  
**1 OF 1**  
DRAWN BY  
ASHLEY KRALOVEC

PART NO.	B51015	B5112AP	B5112BI	B5112BB	B5112BN
#HOLES	2	2	2	2	2
FINISH	CHROME PLATED	ANTIQUPE PEWTER	BISCUIT	BRUSHED BRONZE	BRUSHED NICKEL