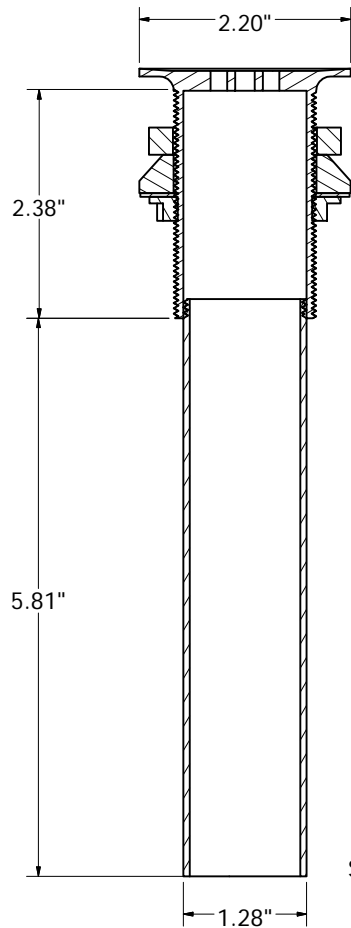
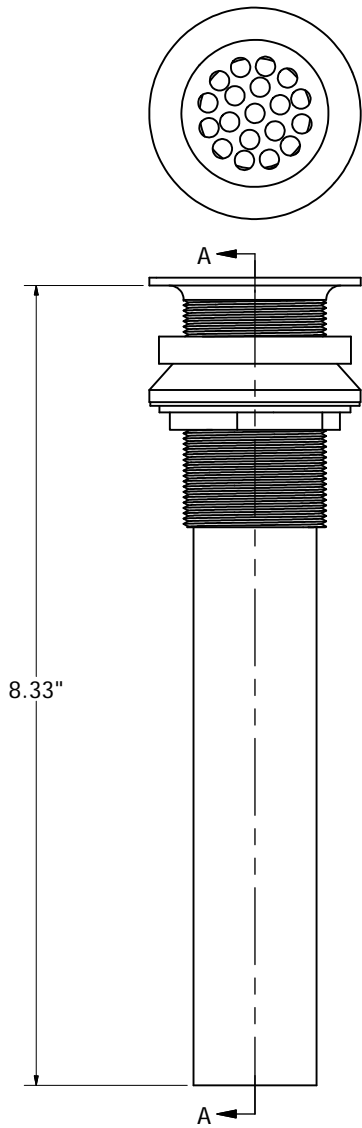
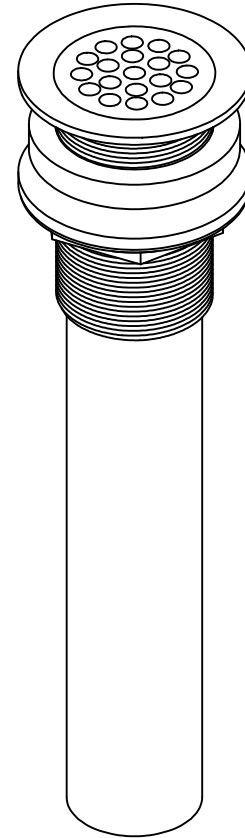


# LAV DRAIN WITHOUT OVERFLOW



SECTION A-A  
SCALE 1 : 1



- FOR VESSEL SINKS
- BLISTER CARD PACKING



PHONE NUMBER  
**1-800-355-6637**  
FAX NUMBER  
**1-800-462-6991**  
SCALE 1 : 1      DATE 8-19-11  
SHEET  
**1 OF 1**  
DRAWN BY  
**ASHLEY KRALOVEC**

|          |               |                |              |                |                   |                  |
|----------|---------------|----------------|--------------|----------------|-------------------|------------------|
| PART NO. | D70105        | D7010BN        | D7010NP      | D7010PB        | D7010RB           | D7010WB          |
| FINISH   | CHROME PLATED | BRUSHED NICKEL | PEARL NICKEL | POLISHED BRASS | OIL RUBBED BRONZE | OLD WORLD BRONZE |
|          |               |                |              |                |                   |                  |