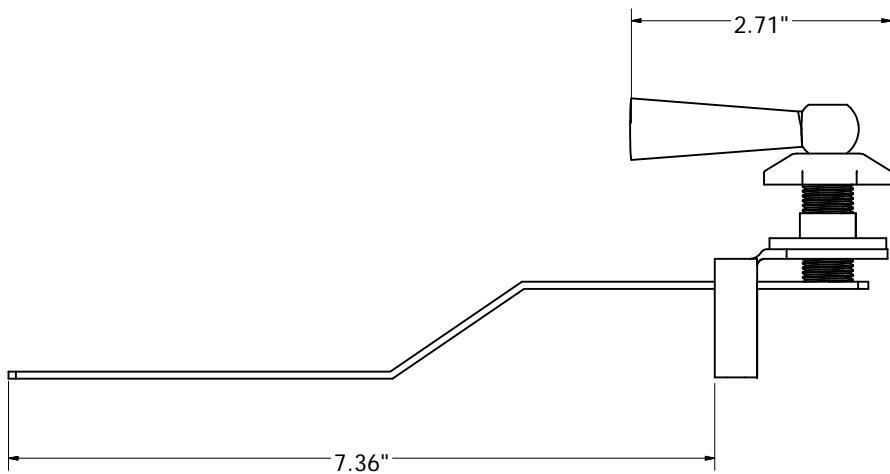
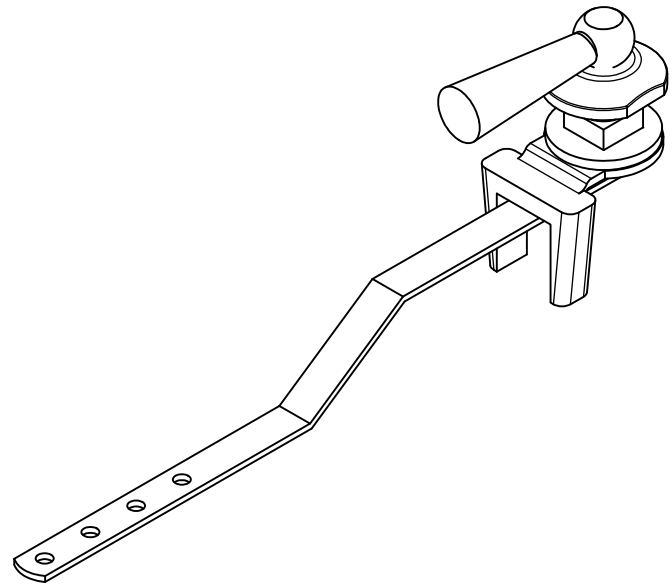
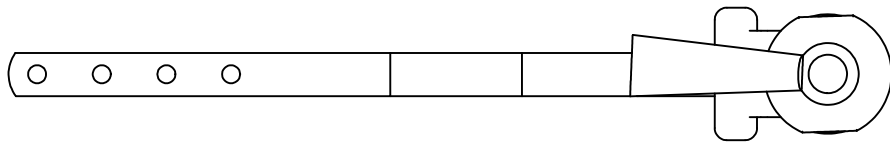


UNIVERSAL DECORATIVE CLOSET FLUSH LEVER



PHONE NUMBER
1-800-355-6637
 FAX NUMBER
1-800-462-6991
 SCALE 1 : 1 DATE 8-19-11
 SHEET
1 OF 1
 DRAWN BY
ASHLEY KRALOVEC

PART NO.	T01000	T0100BN	T0100NP	T0100PB	T0100RB	T0100WB
FINISH	CHROME PLATED	BRUSH NICKEL	PEARL NICKEL	POLISH BRASS	OIL RUBBED BRONZE	OLD WORLD BRONZE