

Seat shall be Comfort[™] Seats

Model Number C8048

Consumer Package Model # C3B3R2

Deluxe Plastic - Euro Design Toilet Seat

Round Closed Front with Cover

Category

RESIDENTIAL

Features

- Injection molded durable polypropylene plastic with UV protection
- Telescoping cover - Euro-design
- Molded in bumpers
- Matching adjustable hinge
- Stainless steel pintel for durability
- Corrosion proof POM nuts, bolts and washers
- Rubberized non-skid pads
- Top mount design

Seat Color/Finish

Specify, white, bone or biscuit

Hinge Color/Finish

Specify, white, bone or biscuit

Product Specifications

Hinge Design: Color-matched hinge containing stainless steel pintels

Ring Thickness: 3/4"

Ring Thickness with Bumper: 1"

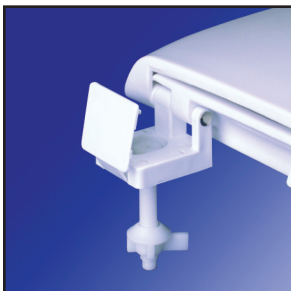
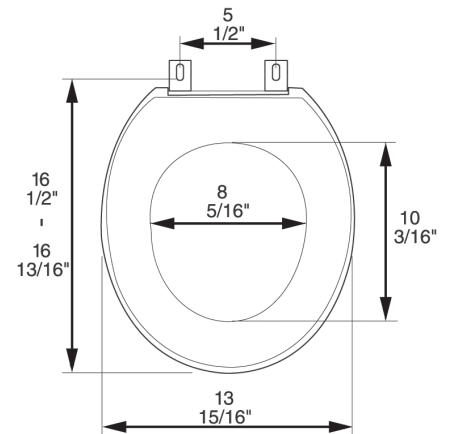
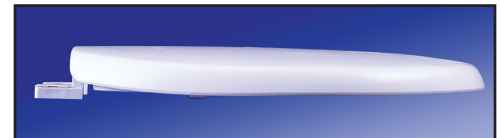
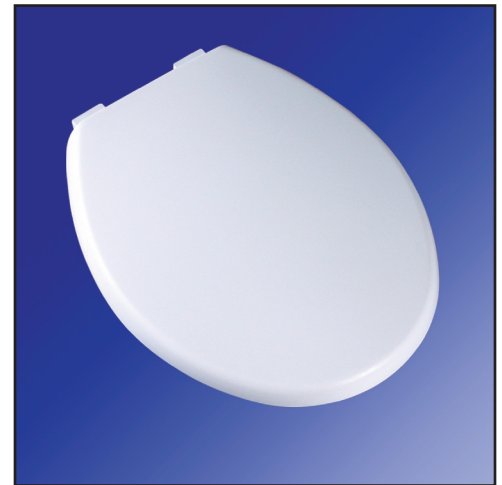
Height of Seat with Cover: 2"

Size: ANSI Standard Toilet - Meets Z124.5 Section 5.1.2

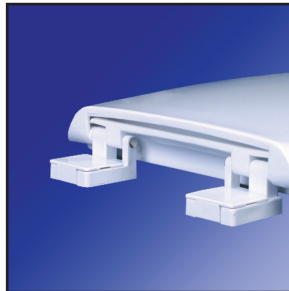
Additional Information

Stainless Steel (Model #C200-HPSS) or Metal (Model #C200-HPM) installation hardware for commercial/hospitality installations.

All seats feature UV protection.



Corrosion proof, self-aligning hardware



Factory-installed "living" hinge covers with stainless steel pintels