

Seat shall be Comfort™ Seats

## Model Number C8032-O

### Standard Plastic Toilet Seat

Round Open Front with Cover

#### Category

HOSPITALITY

#### Features

- Injection molded durable polypropylene plastic with UV protection
- Molded in bumpers
- Matching adjustable hinge
- Corrosion proof POM nuts, bolts and washers
- Rubberized non-skid pads
- Top mount design
- Extra-large pintels for stability

#### Seat Color/Finish

Specify white, bone and biscuit

#### Hinge Color/Finish

Specify white, bone and biscuit

#### Product Specifications

Hinge Design: Slip-fit hinge

Ring Thickness: 5/8"

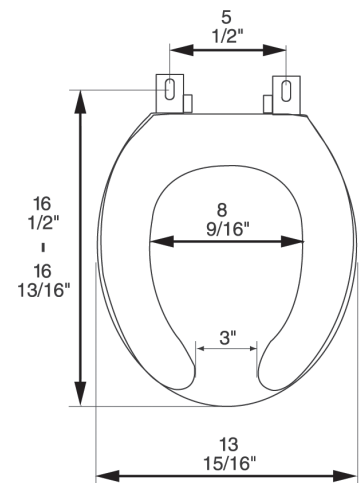
Ring Thickness with Bumper: 3/4"

Height of Seat with Cover: 1 3/8"

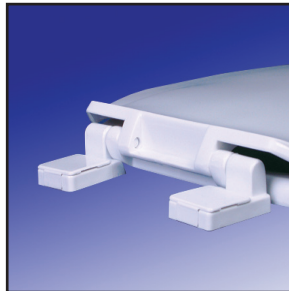
Size: ANSI Standard Toilet - Meets Z124.5 Section 5.1.2

#### Additional Information

All seats feature UV protection.



Corrosion proof, self-aligning hardware



Slip-fit "living" hinge covers