

Wastewater

10S-CIA Series

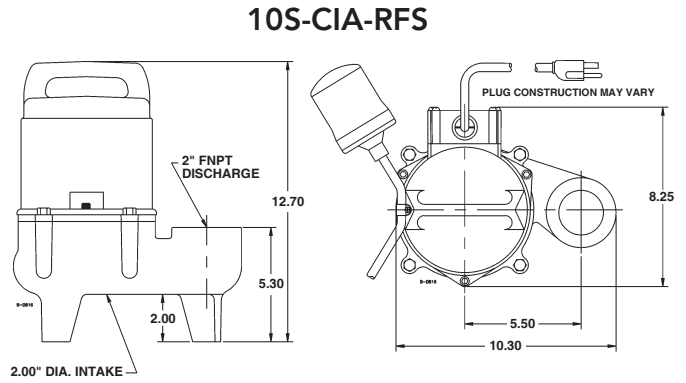
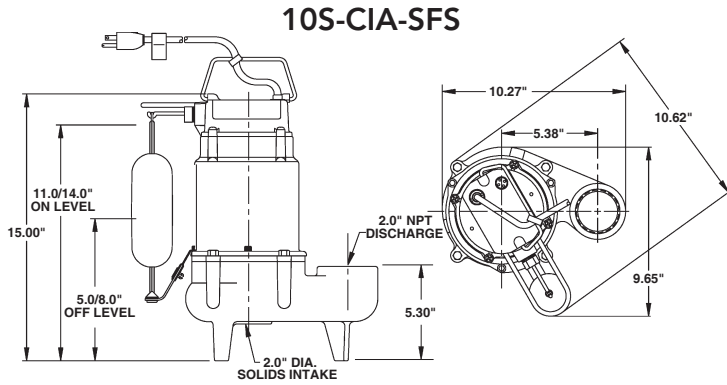


Features

- Handles Liquids and solid waste materials up to 2" diameter
- Cast iron pump housing with protective epoxy coating for corrosion resistance
- Oil-filled motor housing for lifetime lubrication and rapid heat dissipation
- Stainless steel screws, bolts, handle and switch guard
- Mechanical seals (stainless steel spring, nitrile parts, carbon and ceramic faces)
- Thermal overload protection
- Integral snap-action float switch — Automatic operation has 11" to 14" "On" level range and 5" to 8" "Off" level range
- Piggyback mechanical float switch — Automatic operation has 15" to 17" "On" level range and 8" to 10" "Off" level range
- PSC type motor with upper and lower ball bearings on 10S-CIA-SFS
- Split-phase type motor on 10S-CIA-RFS



Dimensional Outline



* Note: Mechanical Float Switch to be installed by customer. Installation at 3.5" tether length float switch will activate pump at 15"-17" on level and 8"-10" off level.

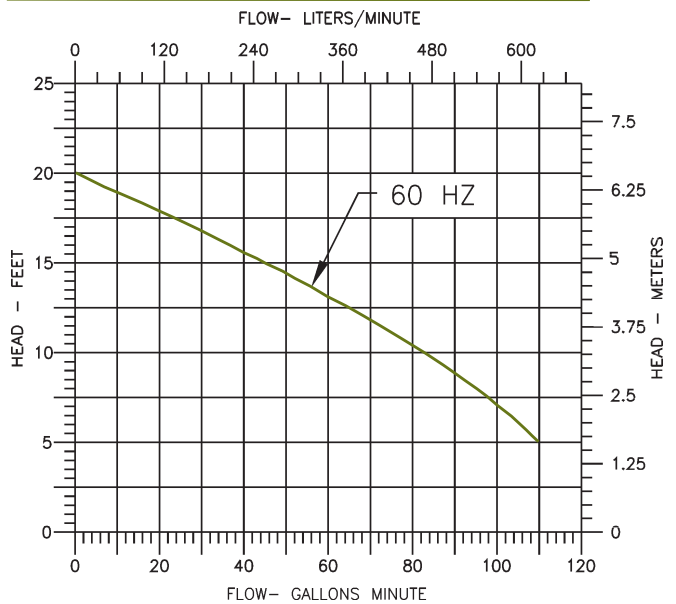
Specifications

Model No.	Item No.	Listings	HP	Volts/Hz	Solids Size (Dia. in.)	Running Amps/Watts	Performance (GPM@Head)			Shut Off		Pwr. Cord (ft.)	Weight (lbs.)	Dimensions (H x L x W)
							5'	10'	15'	Feet	PSI			
10S-CIA-SFS	511550	UL/CSA	1/2	115	2	9.2/1086	110	85	45	20	8.7	10	46	15 x 10.3 x 9.65
10S-CIA-SFS	511555	UL/CSA	1/2	115	2	9.2/1086	110	85	45	20	8.7	25	46	15 x 10.3 x 9.65
10S-CIA-SFS	511565	UL/CSA	1/2	230	2	4.6/1086	110	85	45	20	8.7	25	47	15 x 10.3 x 9.65
10S-CIA-RFS	511500	UL/CSA	1/2	115	2	12/1000	110	85	45	20	8.7	15	45	12.7 x 10.3 x 8.25

Construction

Motor Housing	Epoxy Coated Cast Iron
Impeller Material	Glass Filled Nylon
Impeller Type	Vortex
Volute	Epoxy Coated Cast Iron
Power Cord	16 - 3 SJTW
Mechanical Shaft Seal	Nitrile parts with carbon and ceramic faces
Fasteners	Stainless steel
Shaft	Steel
Bearings	Upper & lower ball bearings

Performance Data



P.O. Box 12010
Oklahoma City, OK 73157-2010
Phone: 1.800.701.7894
Fax: 1.800.678.7867
www.LittleGiantPump.com



©2008 Franklin Electric Co., Inc.
Little Giant® is a registered trademark of Franklin Electric Co., Inc.
Form 995204 - 04/08