

137CTK ProFit®3

Complete Toilet Kit, Elongated Front, SmartHeight™, Vitreous China, Two-Piece Toilet



Features

- Complete toilet package
- 3 bolt tank-to-bowl connection
- 1.6 gpf / 6.0 lpf low water consumption
- Elongated front SmartHeight™ (16-3/4") bowl
- 2" flush tower
- Anti-siphon ballcock
- Chrome trip lever
- 2" glazed trapway
- The Mansfield® limited lifetime warranty
- Available in White, Bone and Biscuit





Elongated Front



Model 137CTK

Components

Model #	Description	Codes/Standards
137CTK	Elongated front, SmartHeight™, two-piece toilet kit. Includes: toilet seat, wax ring, floor bolts, caps, and multi-lingual installation instructions. Water supply hardware not included. Specify color.	 
137LTCTK	Same as above model, with lined tank and color match trip lever.	



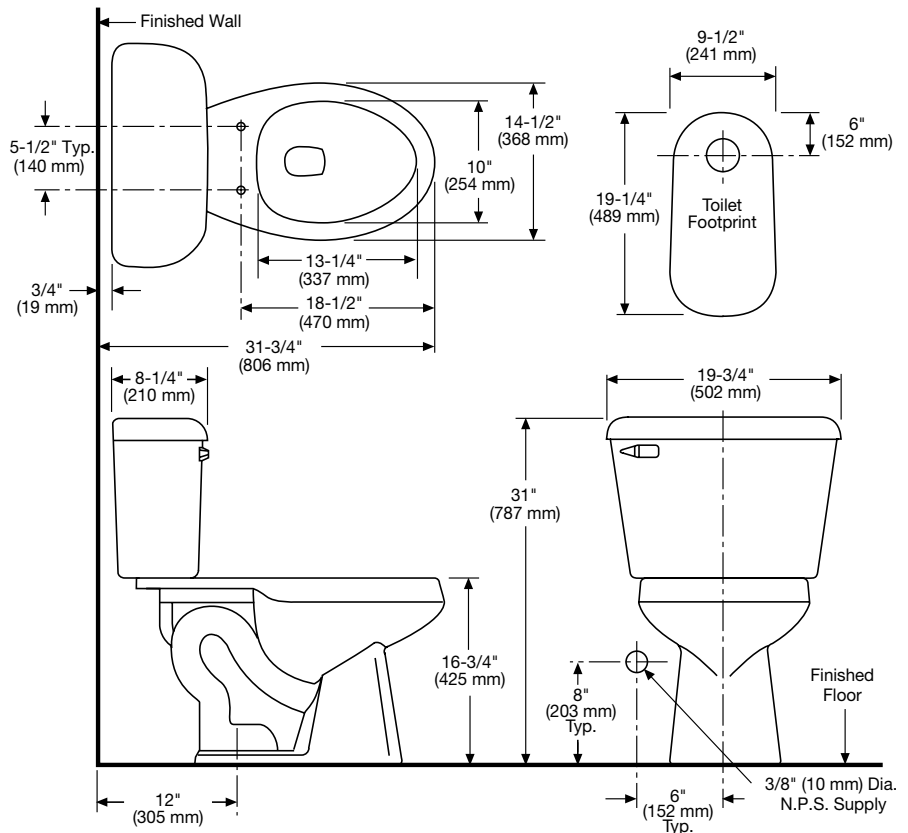
MADE IN USA

Specifications

Model #	Description	Codes/Standards
137CTK	Elongated front, SmartHeight™, (1.6 gpf/6.0 lpf) two-piece toilet with parts.	

Specification	Description	Specification	Description
Material	Vitreous China	Trap Diameter	2"
Water Pressure Range	20 to 80 PSI	Trap Seal	2-5/8"
Flush System	2" flush tower	Rough-in	12"
Water Usage	1.6 gpf / 6.0 lpf	Shipping Weight	92 lbs. / 41.8 kg
Water Surface Area	9-1/8" x 10-3/4"	Warranty	Vitreous China - Limited Lifetime Tank Trim - Limited One Year
MaP Rating	800 grams		

Technical Information



See our complete line of acrylic and vitreous china bathroom fixtures, plastic tank trim and plumbing products.

These dimensions are nominal and subject to change without notice.

Fixture performance and specifications meet or exceed ASME A112.19.2-2008/CSA B45.1-08 standards, and other state and local codes.



MADE IN USA