

# 384-3386

## Summit™ Dual Flush

Elongated Front, SmartHeight™, Vitreous China, Two-Piece Toilet



### Features

- Dual flush technology with 3" flush tower
- 3 bolt tank-to-bolt connection
- 1.1 Gpf / 1.6 Gpf (4.0 Lpf / 6.0 Lpf)
- Elongated front, 16-3/4" SmartHeight™
- Pilot operated anti-siphon fill valve
- 12" rough-in
- Chrome push button actuator
- Wide 2-1/8" glazed trapway
- The Mansfield® limited lifetime warranty
- Available in white and standard colors: biscuit and bone







Model 384-3386  
Toilet seat not included



\*Also available as a complete toilet package.

### Components

Model #	Description	Codes/Standards
384-3386	Elongated front, SmartHeight™ two-piece dual flush toilet. Less toilet seat and supply. Specify color.	   
384	Elongated front, SmartHeight™ toilet bowl only. Less toilet seat. Specify color.	
3386	Tank and cover only with chrome push button actuator. Less supply. Specify color.	
*4384CTK	Elongated front, SmartHeight™ dual flush complete toilet kit. Includes toilet seat, tank and bowl, flange bolts, wax ring with polyethylene flange instructions.	
SB400	Elongated, SmartClose™ toilet seat. Specify color.	



**MADE IN USA**

384-3386

# Summit™ Dual Flush

Elongated Front, SmartHeight™, Vitreous China, Two-Piece Toilet

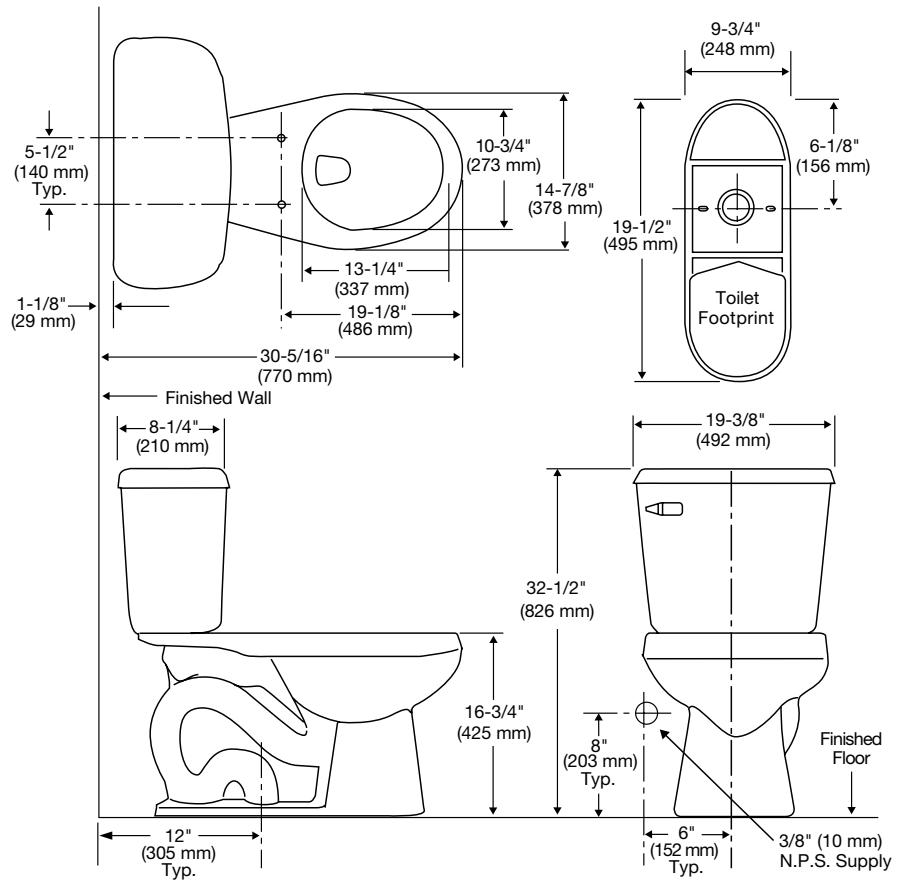


## Specifications

Model #	Description	Codes/Standards
384-3386	Elongated front, SmartHeight™ (1.1 or 1.6 gpf) two-piece, dual flush toilet	

Specification	Description	Specification	Description
Material	Vitreous china	Trap Diameter	2-1/8"
Water Pressure Range	20 to 80 PSI	Trap Seal	2-1/2"
Flush System	Dual flush w/3" flush tower	Rough-in	12"
Water Usage	1.1 / 1.6 gpf	Shipping Weight	Model 384 - 57 lbs., Model 3386 - 34 lbs., Model 4384CTK - 95 lbs.
Water Surface Area	10" X 8"		
MaP Rating	800 grams	Warranty	Vitreous china - Limited Lifetime Tank trim - Limited One Year

## Technical Information



See our complete line of acrylic and vitreous china bathroom fixtures, plastic tank trim and plumbing products.

These dimensions are nominal and subject to change without notice.

Fixture performance and specifications meet or exceed ASME A112.19.2-2008/CSA B45.1-08 standards, and other state and local codes.



MADE IN USA