

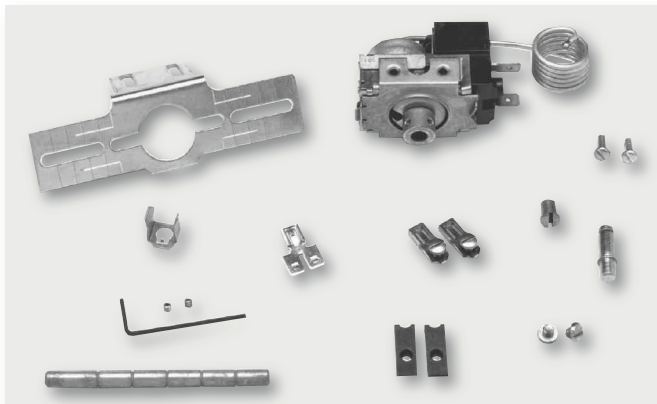
Super-Fit™ Refrigeration Cold Controls—Constant Differential

MARS Super-Fit™ constant differential refrigeration cold controls always maintain the same difference between on and off temperature over the entire dial range. The knob selects the operating temperature.

MARS Super-Fit™ constant differential controls are complete with brackets, hardware and instructions, and available in a wide selection of temperature ranges and capillary lengths to match almost any requirement.

Individually boxed and clearly labeled with all necessary information.

MARS NO.	WARM ON	MID ON	OFF	COLD OFF	CAP. LENGTH
26255	19.3	0	-14	-21	42"
26256	27.4	-2	-10	-20.5	42"
26244	42.0	20	9	-24	42"
26238	49.8	37	30	14.5	76"
26252	51.8	35	19	-5.5	30"



Super-Fit™ Room Air Conditioner Controls

MARS Super-Fit™ air conditioner controls are designed to replace GE, Ranco, Cutler Hammer, Robertshaw and most other OEM controls. Packaged with brackets, hardware and complete instructions, MARS Super-Fit™ RAC controls are available in a wide selection of temperature ranges, capillary lengths and styles. Clearly labeled with all necessary information.

MARS NO.	RANGE °F WARM ON	COLD OFF	DIFFERENTIAL °F	CAP. LENGTH	SWITCH	RATING FLA	LRA
26002	91.5	40.0	6.0	39" bulb	SPDT	25	80
26003	93.0	52.0	6.0	31" bulb	SPDT	25	80
26004	93.0	52.0	6.0	48" st. cap	SPST	30	125

Cold Control Cross Reference

RANCO-MARS CROSS REFERENCE

RANCO	MARS	RANCO	MARS
A22-1113	26004	A10-311	26255
A22-2451	26003	A10-312	26256
A22-2453	26002	A10-313	26256
A30-119	26238	A10-314	26256 ⁽¹⁾
A30-120	26244	A10-315	26256
A30-127	26256	A10-316	26256
A30-180	26244	A10-393	26256 ⁽²⁾
A30-185	26244	A10-394	26256 ⁽²⁾
A30-203	26252	A30-451	26004
A30-261	26272	A30-X451	26004
A30-262	26273	K-607	26256
A30-263	26274	K-608	26255

(1) 42" cap length (2) No alarm circuit

GEM-MARS CROSS REFERENCE

GEM	MARS	GEM	MARS
GA222451	26003	GC501	26244
GA222453	26002	GC505	26238
GA30180	26244	GC506	26252
GA30185	26244	GC604	26255
GA30261	26272	GC607	26256
GA30262	26273	GC608	26255
GA30263	26274	GC702	26004
GA30311	26255	GC708	26003
GA30312	26256	GC709	26004
GA30313	26256	GC714	26004
GA30314	26256	GC902	26273
GA30451	26004	GC903	26272
GC108	26256	GC904	26238
GC115	26272	GC905	26274
GC180	26244		