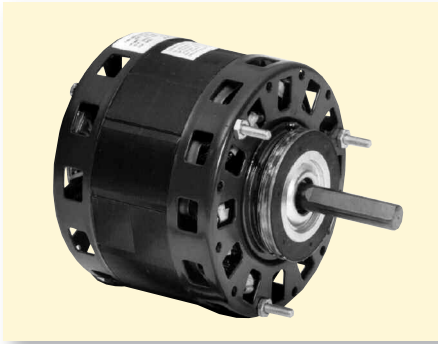


Direct Drive Blower Motors - Shaded Pole

5 inch dia. MARS SERIES **108**



MARS Shaded Pole Direct Drive Furnace Blower Motors

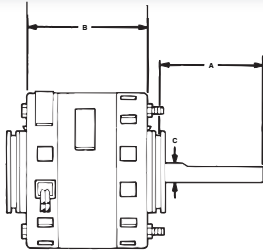
MARS shaded pole direct drive furnace blower motors are excellent, economic choices for a wide variety of direct drive blower applications. These class "B" insulated motors will provide long life and quiet operation.

Features:

- Sleeve bearings
- Resilient ring mounting
- Extended studs
- CCW lead end rotation
- NEMA 42 (29) frame
- All angle mounting

Specifications:

- Automatic thermal overload protection
- Class "B" insulation
- 60 Hertz
- Fan duty continuous air over
- U.L. and C.S.A. approved



1050 RPM - Three Speed

MARS NO.	HP	VOLTS	AMPS	ROT OSE	DIMENSIONS		
					A	B	C
10809	1/8	115	5.8	CCW	3.12	4.42	1/2
10810	1/5	115	6.5	CCW	4.75	5.17	1/2



Fan Coil Motors - Shaded Pole

5 inch dia. MARS SERIES **108**

MARS fan coil replacement motor

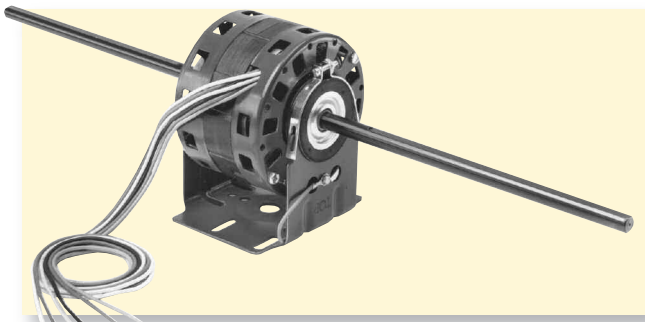
The MARS fan coil replacement motor, with removable resilient mounting base is used for a wide range of dual blower wheel fan/coil assemblies. This motor is especially suited for P-TACs (package terminal air conditioning). The 10889 replaces a large number of OEM designs.

Features:

- Thermal protection
- Includes resilient mounting base
- Includes female 1/4" spade terminals
- Quiet sleeve bearings

Specifications:

- Single phase, 60 Hertz
- Fan duty continuous air over
- Open enclosure



Cross Reference:

REPLACES		MARS NO.
A.O. Smith	DBL6409	10889
Fasco	D289	10889
GE	2089	10889
Magnetek/UE	89	10889

1050 RPM - Five Speed

MARS NO.	HP	VOLTS	AMPS	ROT LE	A	DIMENSIONS		
						B	C	D
10889	1/10	115	3.5	CCW	10.3	3.34	10.3	1/2