



# SERVICE PARTS LIST

## 1-1/4" TWO SPEED DRILL

**Catalog No. 4292-1**

Starting Serial No. **504-1001**

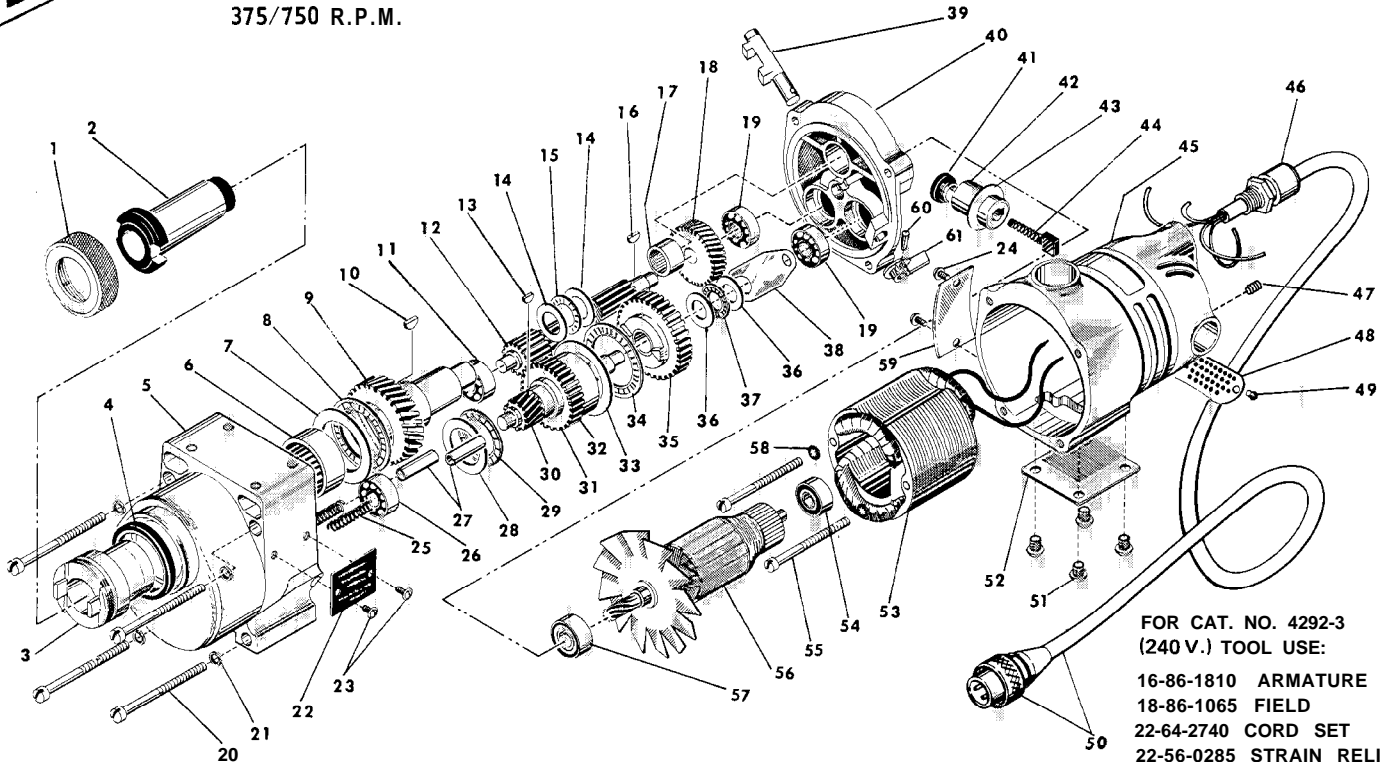
**BUL.54-14-4200**

REVISED BUL. DATE  
June '75

WIRING INSTRUCTIONS  
**58-01-0371**

Specify Catalog and Serial No. when ordering parts

375/750 R.P.M.



FOR CAT. NO. 4292-3  
(240 V.) TOOL USE:  
16-86-1810 ARMATURE  
18-86-1065 FIELD  
22-64-2740 CORD SET  
22-56-0285 STRAIN RELIEF

FIG.	PART NO.	DESCRIPTION OF PART	NO.REQ.	FIG.	PART NO.	DESCRIPTION OF PART	NO.REQ.
2	45-34-0050 42-52-0050	Taper Socket Cap #3 Taper Socket	(1)	32	32-10-0061	Clutch Gear Assembly	(1)
3	38-50-4651	Spindle	(1)	33	45-88-0530	Thrust Bearing Washer	(1)
4	45-06-0100	Oil Seal	(1)	34	02-80-5000	Thrust Bearing	(1)
5	28-14-1221	Gear Case	(1)	35	32-1 O-0051	Clutch Gear Assembly	(1)
6	02-50-9975	Needle Bearing	(1)	36	45-88-0510	Thrust Bearing Washer	(2)
7	45-88-0530	Thrust Bearing Washer	(1)	37	02-80-1 200	Thrust Bearing	(1)
8	02-80-5000	Thrust Bearing	(1)	38	45-98-0090	Shifting Yoke	(1)
9	32-75-2561	Spindle Gear	(1)	39	30-1 5-0051	Shifting Cam	(1)
10	06-42-2400	Woodruff Key	(1)	40	28-28-1 365	Diaphragm - Includes: Groove Pin	(1)
11	02-04-1 260	Ball Bearing	(1)	41	23-44-0030	Brush Retaining Screw	(2)
12	36-66-3751	Pinion Shaft Assembly	(1)	42	22-22-0015	Brush Holder	(2)
13	06-42-2000	Woodruff Key	(1)	43	23-86-0060	Brush Holder Washer	(2)
14	45-88-0515	Thrust Washer	(2)	44	22-1 8-0055	Carbon Brush	(2)
15	02-80-1 525	Thrust Bearing	(1)	45	28-50-4121	Motor Housing	(1)
16	06-42-1 600	Woodruff Key	(1)	46	22-56-0280	Strain Relief	(1)
17	02-50-4830	Needle Bearing	(1)	47	06-83-2650	1/4-20x3/8 Knr. Set Screw	(2)
18	32-40-1 581	Intermediate Gear	(1)	48	44-66-0180	Cover Plate	(1)
19	02-04-1205	Bal I Bearing	(2)	49	06-81-8650	6-32x1/4 Rd. Hd. Sem	(2)
20	06-81-2125	1/4-20x3-1/2 Fil. Hd. Screw	(4)	50	22-64-0740	Cord Set	(1)
21	06-97-3800	Lock Washer	(4)	51	06-81-5000	1/4-20x3/8 Truss Hd. Screw	(4)
22	12-98-2105	Instruction Plate	(1)	52	44-66-0050	Body Cover Plate	(1)
23	06-81-4430	4-40x1/4 Rd. Hd. Screw	(2)	53	18-82-1 070	120 V. Field	(1)
24	06-85-0200	6x1/4 Rd. Hd. Type Z Screw	(2)	54	02-04-1 070	Bal I Bearing	(1)
25	40-50-6300	Shifting Spring	(2)	55	06-81-1 150	1 O-24x3-1/8 Fil. Hd. Screw	(2)
26	02-04-1260	Ball Bearing	(1)	56	16-82-1 781	120 V. Rev. Armature	(1)
27	44-70-0100	Shifting Plunger	(2)	57	02-04-1 265	Ball Bearing	(1)
28	45-88-0520	Thrust Bearing Washer	(1)	58	06-97-2200	Lock Washer	(2)
29	02-80-1 800	Thrust Bearing	(1)	59	12-99-0040	Nameplate	(1)
30	32-60-1 041	Pinion Gear	(1)	60	06-65-0840	1/8x3/4 Groove Pin	(1)
31	36-1 4-0061	Clutch Shaft	(1)	61	28-60-0051	Shift Knob Housing	(1)
				62	12-98-7081	Caution Plate (Not Shown)	(1)

**MILWAUKEE ELECTRIC TOOL CORP.**

13135 West Lisbon Road • Brookfield, Wisconsin 53005