

# WIRING INSTRUCTIONS

TITLE

VACUUM CLEANER

MILWAUKEE ELECTRIC TOOL CORP. 13135 WEST LISBON RD. BROOKFIELD, WIS.

DATE

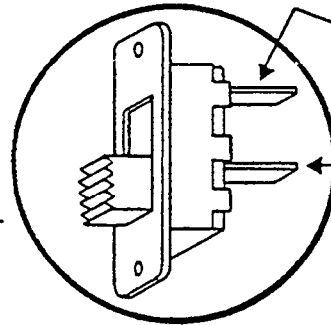
Oct. '96

BULLETIN  
58-01-1160

## NOTES:

### SWITCH INSTALLATION

- Install switch into switch box.
- Turn switch to "ON" position and slide black switch button into hole of red "ON/OFF" switch cover.
- Be sure to have the correct switch orientation- down is "OFF", up is "ON".
- Turn switch to "OFF" position.



Top terminal to be connected to black lead from cord.

Center terminal to be connected to black lead from motor.

SWITCH IN THE "OFF" POSITION.

### CORD REPLACEMENT

- When replacing cord, twist wires together before routing.

