



ENGINEERING EXCELLENCE


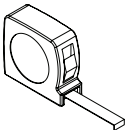
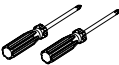
## Installation Guide

### Bathroom Accessories:

- 7DM030
- 7DM031
- 7DM032
- 7DM033
- 7DM034
- 7DM035

**Thank you for purchasing this pioneer quality product.**

**Tools Required**

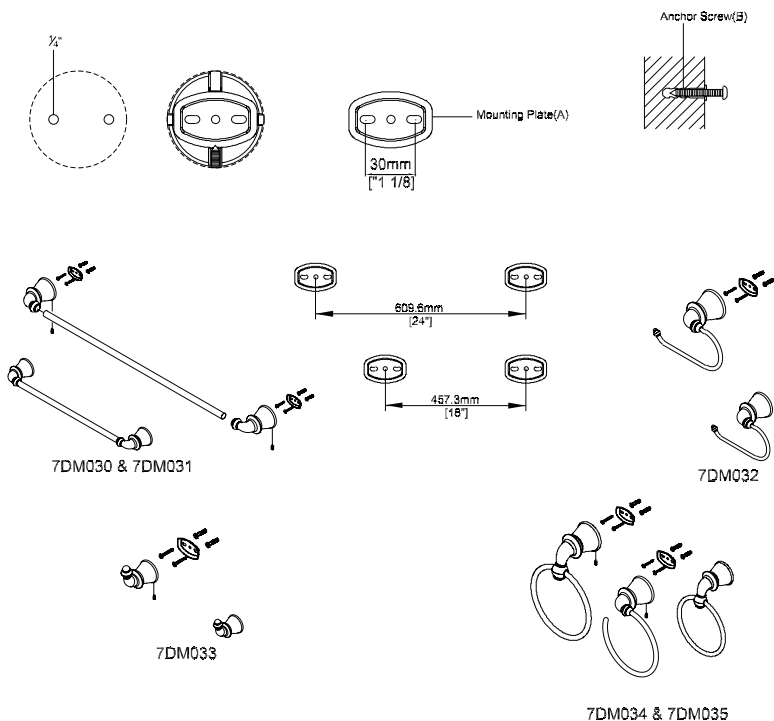
				
Level	Tape Measure	Straight & Philips Screw-drivers		

**Prior to Installation**

- Do not use these products in any area where they are likely to be used inadvertently as a grab bar or support bar. These products are not designed or intended for use as a grab bar or support bar.
- Pioneer reserves the right to make changes in the design of faucets without notice as specified in the pricebook.

## Bath Accessories Installation

- Determine the installation location for the bathroom hardware.
- Drill 1/4" diameter hole approximate 1-1/8" apart. Place plastic anchors screws (B) into the drilled holes using hammer to tap it in flush with the wall. Place the mounting plate (A) and secure them to the wall with the help of mounting screws.
- For 7DM030 & 7DM031 Install the mounting plate (A) 24" & 18" apart respectively.
- Secure the bathroom hardware with the screw at the bottom. Do not overtighten.



For more care information or trouble shooting inquiries about your Pioneer Product, please see the contact information on the back page.



ENGINEERING EXCELLENCE

3325 S. Garfield Ave. | Commerce, CA 90040  
Telephone: (800) 338-9468 | (323) 888-8873 | Fax: (323) 888-9515  
Hours: M - F, 7:30am to 5:00pm PST  
[www.pioneerind.com](http://www.pioneerind.com)