



# ENGINEERING EXCELLENCE

Legacy Series #3LG110

SPECIFICATION SHEET

### DESCRIPTION

- Two Handle Lavatory Faucet
- Mini Blade Handles
- 3-9/16" Reach, 1-15/16" From Deck to Aerator
- Ceramic Disc Cartridges
- 3-Hole 4" Installation
- Brass Pop-Up Drain Assembly

### FINISHES

- PC PVD Polished Chrome
- BN PVD Brushed Nickel



#3LG110 SHOWN \* ADA 

### STANDARDS APPLICABLE

- ASME A112.18.1
- ANSI A117.1
- ANSI / NSF 61, SECTION 9
- CUPC / IAPMO LISTED / ADA COMPLIANT
- CONTAINS NO MORE THAN 0.25% WEIGHTED AVERAGE LEAD CONTENT

### FLOW

- Aerator Limited to 1.5 GPM



Model #: \_\_\_\_\_

Specific Features: \_\_\_\_\_

Project Name: \_\_\_\_\_

Submitted For: \_\_\_\_\_

Model	Description	Finishes	
#3LG110	Two Handle Lavatory Faucet	<input type="checkbox"/> PC	<input type="checkbox"/> Other__
#3LG111	Two Handle Lavatory Faucet-Less Pop-Up Drain	<input type="checkbox"/> PC	<input type="checkbox"/> Other__



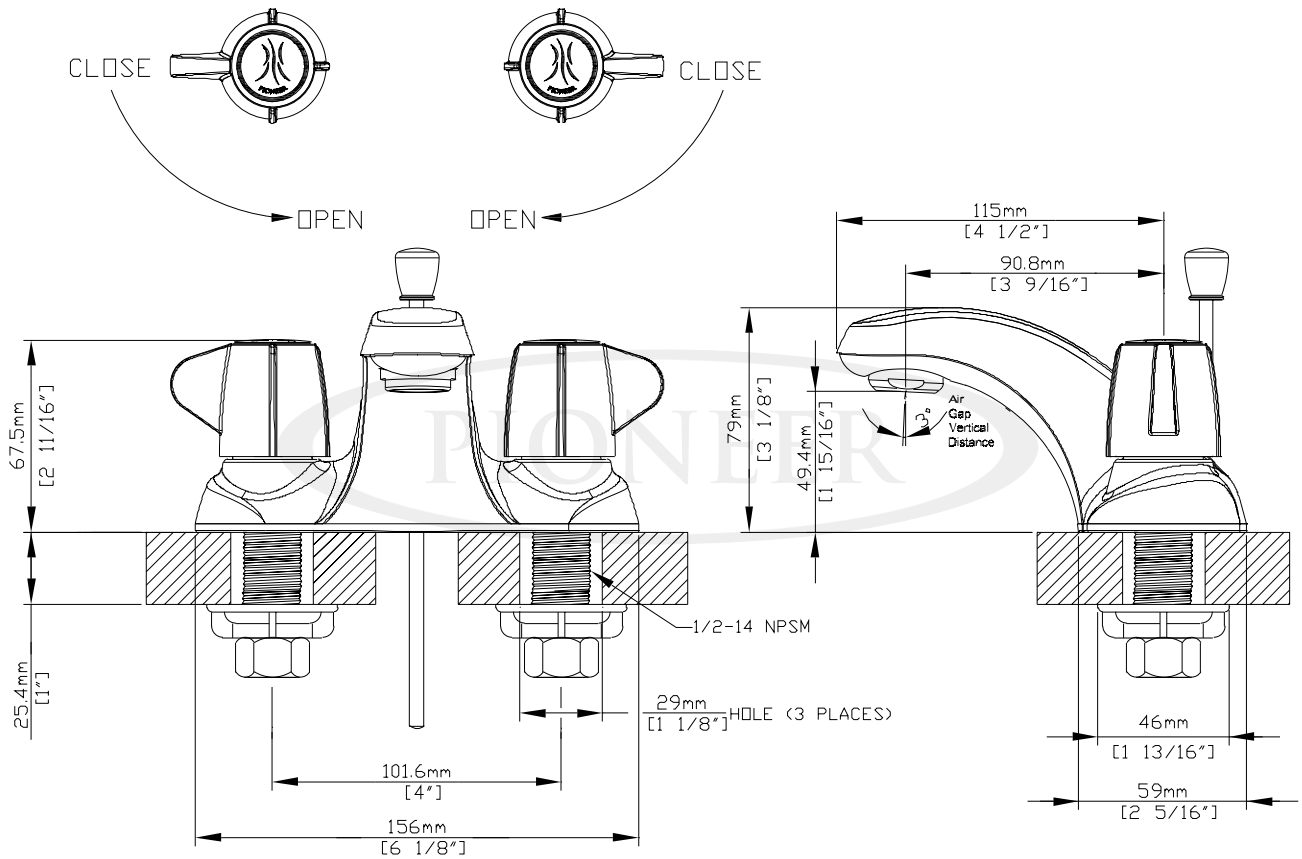
ENGINEERING EXCELLENCE

Pioneer:1-800-338-9468  
 Commerce, CA 90040  
 www.pioneerind.com  
 Pioneer Industries, Inc. © 2013

DMSP3LG110/REV. 12 2012  
 Page 1 of 2

**Installation Note:**

Faucet Hole Size :- 1-1/4"  
 Maximum Deck Thickness:- 1"



**Product Diagram**



ENGINEERING EXCELLENCE

Pioneer: 1-800-338-9468  
 Commerce, CA 90040  
 www.pioneerind.com  
 Pioneer Industries, Inc. © 2013