



ENGINEERING EXCELLENCE

Gibraltar Series #4GB611

PARTS BREAKDOWN SHEET

DESCRIPTION

- Two Handle Roman Tub Set With Handheld Showerhead
- Metal Lever Handles
- Rigid Spout
- 9-11/16" Reach
- Ceramic Disc Cartridges
- 4-Hole 8" to 16" Installation
- Includes Integral Diverter Valve
- Single Function Handheld Showerhead

FINISHES

- PC PVD Polished Chrome
- BN PVD Brushed Nickel
- PN PVD Polished Nickel
- ORB Oil Rubbed Bronze



Note:-
Rough-in valve included.

#4GB611 SHOWN * ADA 

STANDARDS APPLICABLE

- ASME A112.18.1
- ANSI A117.1
- CUPC / IAPMO LISTED / ADA COMPLIANT

FLOW

- Showerhead Limited to 2.5 GPM

Model #: _____

Specific Features: _____

Project Name: _____

Submitted For: _____

Model	Description	Finishes	
#4GB611	Two Handle Roman Tub Set With Handheld Showerhead	<input type="checkbox"/> PC	<input type="checkbox"/> Other__



ENGINEERING EXCELLENCE

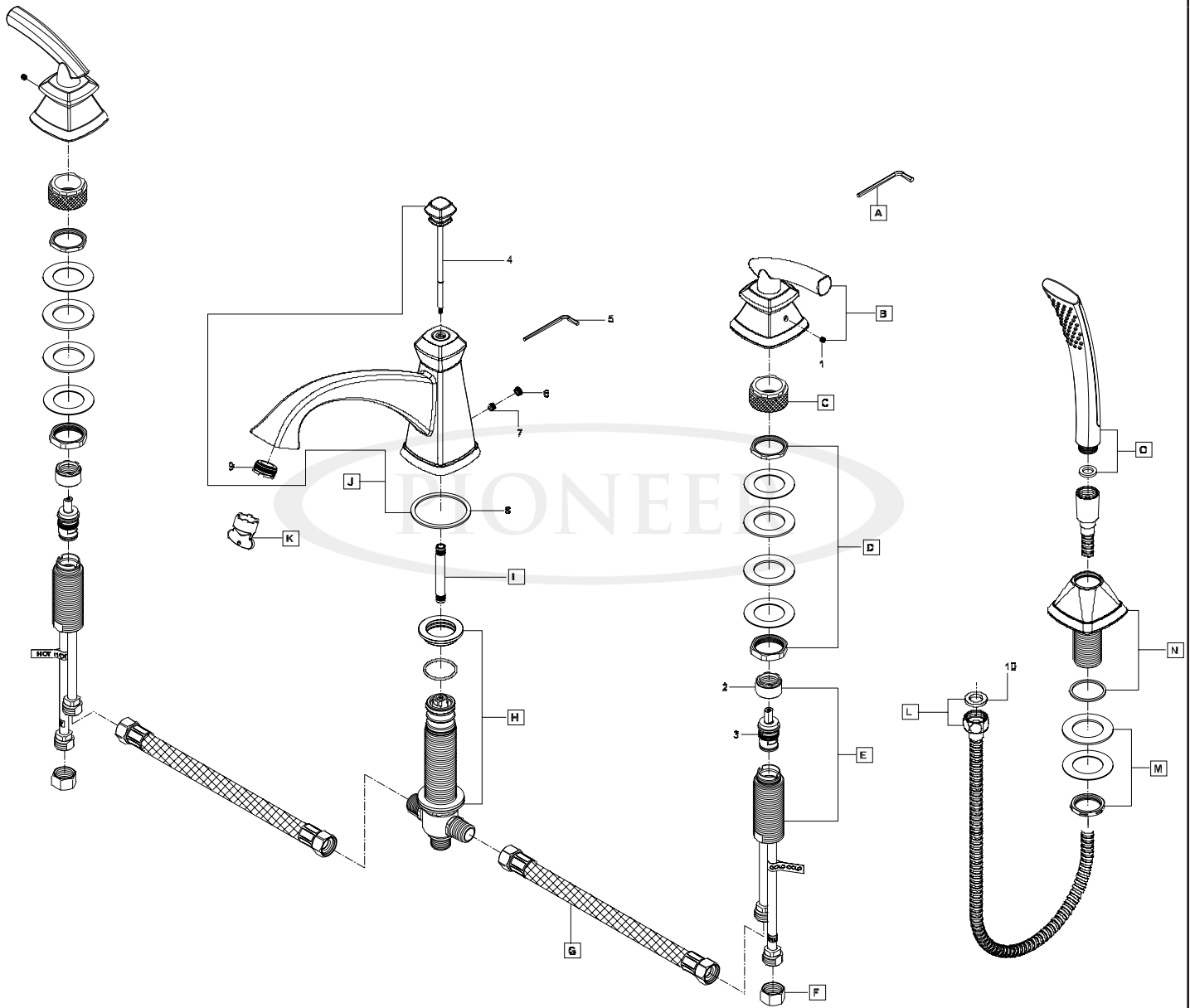
Pioneer: 1-800-338-9468
Commerce, CA 90040
www.pioneerind.com
Pioneer Industries, Inc. © 2013

DMPB4GB611/REV. 12 2012
Page 1 of 3

	ITEM#	DESCRIPTION
A	X-4900024	Allen Wrench
B	X-1400042*	Gibraltar Lever Handle
C	X-4400098	Handle Nut
D	X-5400003	Mounting Kit
E	X-3900005C,H	Valve -Cold, Hot
F	X-4900004	Supply Nut
G	X-4400063	Flex Connector Hose
H	X-3400004	Diverter Valve Assembly
I	X-4400084	Spout Guide
J	X-2400017*	Gibraltar Spout
K	X-4400071	Aerator Tool
L	X-4600006*	Hose
M	X-5600004	Mounting Kit
N	X-4400103*	Hose Guide
O	X-4600043*	Handheld Shower Head
1	X-4400099	Allen Screw
2	X-4900022	Bonnet Nut
3	X-3900002C,H	Ceramic Disc Cartridge-Cold, Hot
4	X-4400104*	Lift Rod
5	X-4900026	Allen Wrench
6	X-4400073*	Hole Cover
7	X-4400018	Allen Screw
8	X-4400101	Washer
9	X-4400102	Flow Streamer
10	X-4900047	Washer

* Note- Please specify finish/color code while ordering.





Product Diagram



ENGINEERING EXCELLENCE

Pioneer: 1-800-338-9468
 Commerce, CA 90040
 www.pioneerind.com
 Pioneer Industries, Inc. © 2013