



ENGINEERING EXCELLENCE

Motegi Series #4MT620

PARTS BREAKDOWN SHEET

DESCRIPTION

- Two Handle Roman Tub Set
- Metal Lever Handles
- Rigid Gooseneck Spout
- 9-3/8" Reach
- Ceramic Disc Cartridges
- 3-Hole 8" to 16" Installation
- Includes Spout and Valve Escutcheons

FINISHES

- PC PVD Polished Chrome
- BN PVD Brushed Nickel
- SS PVD Stainless Steel
- PN PVD Polished Nickel
- PB PVD Polished Brass



#4MT620 SHOWN * ADA 

STANDARDS APPLICABLE

- ASME A112.18.1
- ANSI A117.1
- CUPC / IAPMO LISTED / ADA COMPLIANT

Note:-

Rough-in valve included.

Model #: _____

Specific Features: _____

Project Name: _____

Submitted For: _____

Model	Description	Finishes	
#4MT620	Two Handle Roman Tub Set	<input type="checkbox"/> PC	<input type="checkbox"/> Other__

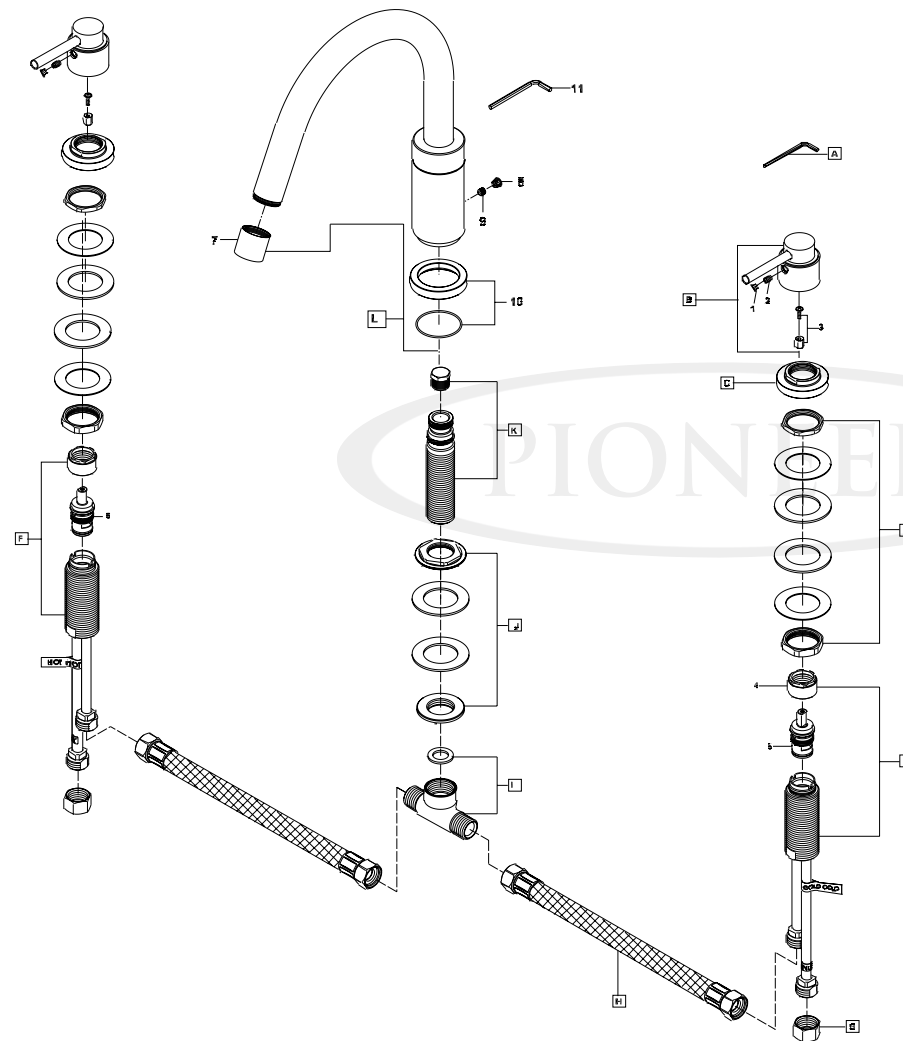


ENGINEERING EXCELLENCE

Pioneer: 1-800-338-9468
 Commerce, CA 90040
 www.pioneerind.com
 Pioneer Industries, Inc. © 2013

DMPB4MT620/REV. 12 2012
 Page 1 of 2

	ITEM#	DESCRIPTION
A	X-4900024	3/32" Allen Wrench
B	X-1400006*	Motegi Series Handle
C	X-4400039*	Valve Escutcheon
D	X-5400003	Valve Mounting Kit
E	X-3900005C	Valve-Cold
F	X-3900005H	Valve-Hot
G	X-4900004	Supply Nut
H	X-4400063	Hose Connector
I	X-4400029	Tee Connector
J	X-5400001	Spout Mounting Kit
K	X-5400005	Shank and Test Plug
L	X-2400018*	Motegi Bent Nose Spout
1	X-4900044*	Hole Cover
2	X-4900002	3/32" Allen Screw
3	X-4400038	Handle Adapter Set
4	X-4900022	Bonnet Nut
5	X-3900002C	Ceramic Cartridge-Cold
6	X-3900002H	Ceramic Cartridge-Hot
7	X-4400036*	Flow Streamer
8	X-4900044*	Hole Cover
9	X-4400024	3/32" Allen Screw
10	X-4400035*	Spout Escutcheon
11	X-4900026	Allen Wrench



* Note: Please specify finish/color when ordering.

Product Diagram



ENGINEERING EXCELLENCE

Pioneer: 1-800-338-9468
 Commerce, CA 90040
 www.pioneerind.com
 Pioneer Industries, Inc. © 2013