



# ENGINEERING EXCELLENCE

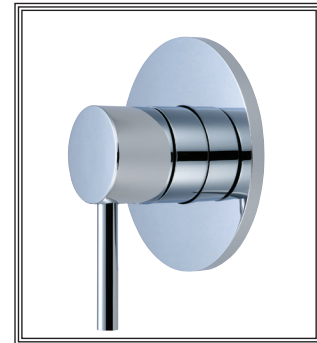
## Motegi Series #6MT101T PARTS BREAKDOWN SHEET

### DESCRIPTION

- Single Handle Diverter Trim Set
- Metal Lever Handle
- Diverter Valve Face Plate
- Diverter Valve Sleeve

### FINISHES

- PC PVD Polished Chrome
- BN PVD Brushed Nickel
- PB PVD Polished Brass
- PN PVD Polished Nickel
- SS PVD Stainless Steel
- ORB Oil Rubbed Bronze



#6MT101T SHOWN \* ADA 

### STANDARDS APPLICABLE

- ASME A112.18.1
- ANSI A117.1
- CUPC / IAPMO LISTED /ADA COMPLIANT

Model #: \_\_\_\_\_

Specific Features: \_\_\_\_\_

Project Name: \_\_\_\_\_

Submitted For: \_\_\_\_\_

Model	Description	Finishes
#6MT101T	Single Handle Diverter Trim Set	<input type="checkbox"/> PC <input type="checkbox"/> Other ____
Required Valve		
#4100B	Single Handle Diverter Valve Set	<input type="checkbox"/> N/A

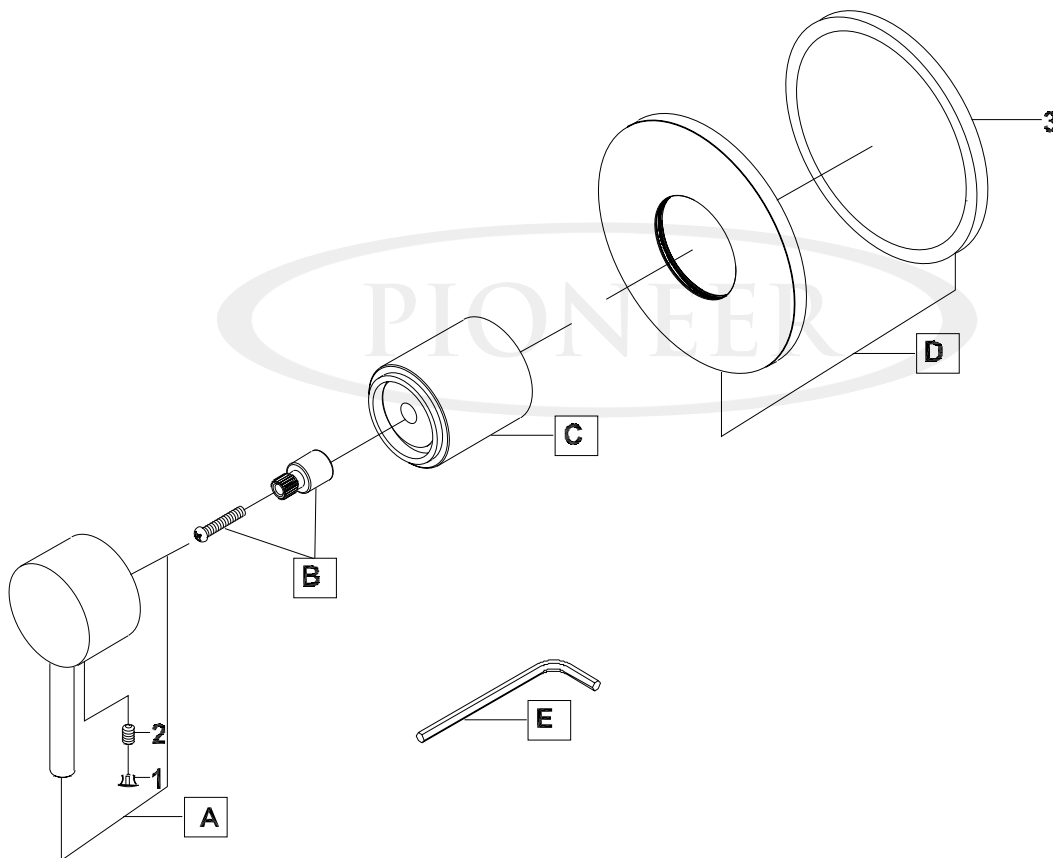


ENGINEERING EXCELLENCE

Pioneer:1-800-338-9468  
 Commerce, CA 90040  
 www.pioneerind.com  
 Pioneer Industries, Inc. © 2013

	ITEM#	DESCRIPTION
A	X-1600001*	Diverter Handle
B	X-4600013	Diverter Handle Adapter
C	X-4600035*	Diverter Sleeve
D	X-4600011*	Diverter Face plate
E	X-4900024	3/32" Allen Wrench
1	X-4900044*	Hole Cover
2	X-4900002	3/32" Allen Screw
3	X-4600012	Diverter Face Plate rubber gasket

\* Note: Please specify finish/color when ordering.



Product Diagram



ENGINEERING EXCELLENCE

Pioneer: 1-800-338-9468  
 Commerce, CA 90040  
 www.pioneerind.com  
 Pioneer Industries, Inc. © 2013