



## ENGINEERING EXCELLENCE

Cabrillo Series #4CB610T

SPECIFICATION SHEET

### DESCRIPTION

- Two Handle Roman Tub Trim Set
- Metal Handles
- Rigid Spout
- 10-1/16" Reach
- 3-Hole 8" to 16" Installation

### FINISHES

- PC PVD Polished Chrome
- BN PVD Brushed Nickel
- SS PVD Stainless Steel
- PN PVD Polished Nickel



#4CB610T SHOWN \* ADA



### STANDARDS APPLICABLE

- ASME A112.18.1
- ANSI A117.1
- CUPC / IAPMO LISTED / ADA COMPLIANT

Model #: \_\_\_\_\_

Specific Features: \_\_\_\_\_

Project Name: \_\_\_\_\_

Submitted For: \_\_\_\_\_

Model	Description	Finishes
#4CB610T	Two Handle Roman Tub Trim Set	<input type="checkbox"/> PC <input type="checkbox"/> Other__
Required Valve		
#4300B	Two Handle Roman Tub Valve Set	<input type="checkbox"/> N/A



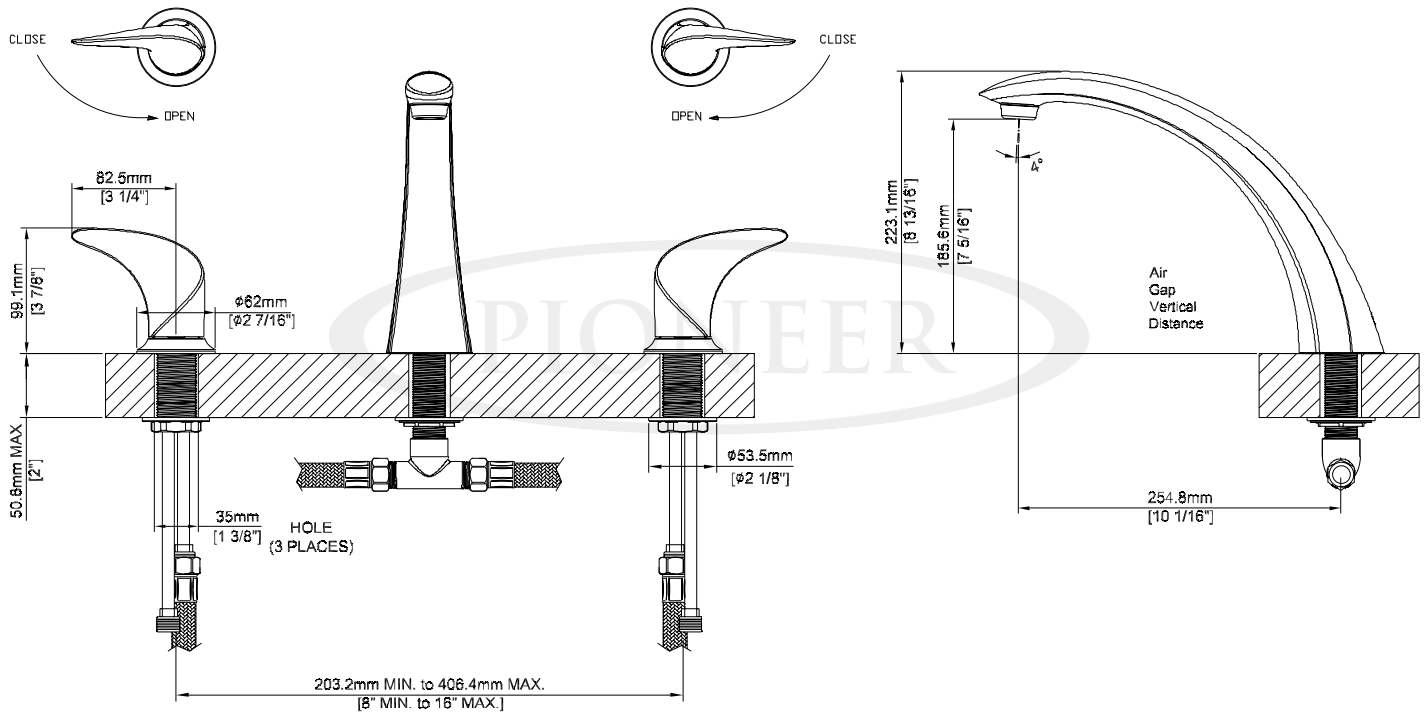
ENGINEERING EXCELLENCE

Pioneer: 1-800-338-9468  
 Commerce, CA 90040  
 www.pioneerind.com  
 Pioneer Industries, Inc. © 2013

DMSP4CB610T/REV. 12 2012  
 Page 1 of 2

**Installation Note:**

Please refer to Installation Guide For this Product.



**Product Diagram**



ENGINEERING EXCELLENCE

Pioneer: 1-800-338-9468

Commerce, CA 90040

www.pioneerind.com

Pioneer Industries, Inc. © 2013