



# ENGINEERING EXCELLENCE

Brentwood Series #2BR121

SPECIFICATION SHEET

### DESCRIPTION

- Two Handle Kitchen Faucet
- Porcelain Cross Handles
- Hi-Arc Gooseneck Spout Swivel 360°
- 8-1/16" Reach, 7-5/16" from Deck to Aerator
- Ceramic Disc Cartridges
- 4-Hole 8" Installation
- Side Spray Assembly

### STANDARDS APPLICABLE

- ASME A112.18.1
- ANSI / NSF 61, SECTION 9
- CUPC / IAPMO LISTED
- CONTAINS NO MORE THAN 0.25% WEIGHTED AVERAGE LEAD CONTENT

### FINISHES

- PC PVD Polished Chrome
- BN PVD Brushed Nickel
- PN PVD Polished Nickel
- PB PVD Polished Brass
- ORB Oil Rubbed Bronze

### FLOW

- Aerator Limited to 1.5 GPM



#2BR121 SHOWN

Model #: \_\_\_\_\_

Specific Features: \_\_\_\_\_

Project Name: \_\_\_\_\_

Submitted For: \_\_\_\_\_

Model	Description	Finishes
#2BR121	Two Handle Kitchen Faucet	<input type="checkbox"/> PC <input type="checkbox"/> Other ____



ENGINEERING EXCELLENCE

Pioneer: 1-800-338-9468  
 Commerce, CA 90040  
 www.pioneerind.com  
 Pioneer Industries, Inc. © 2013

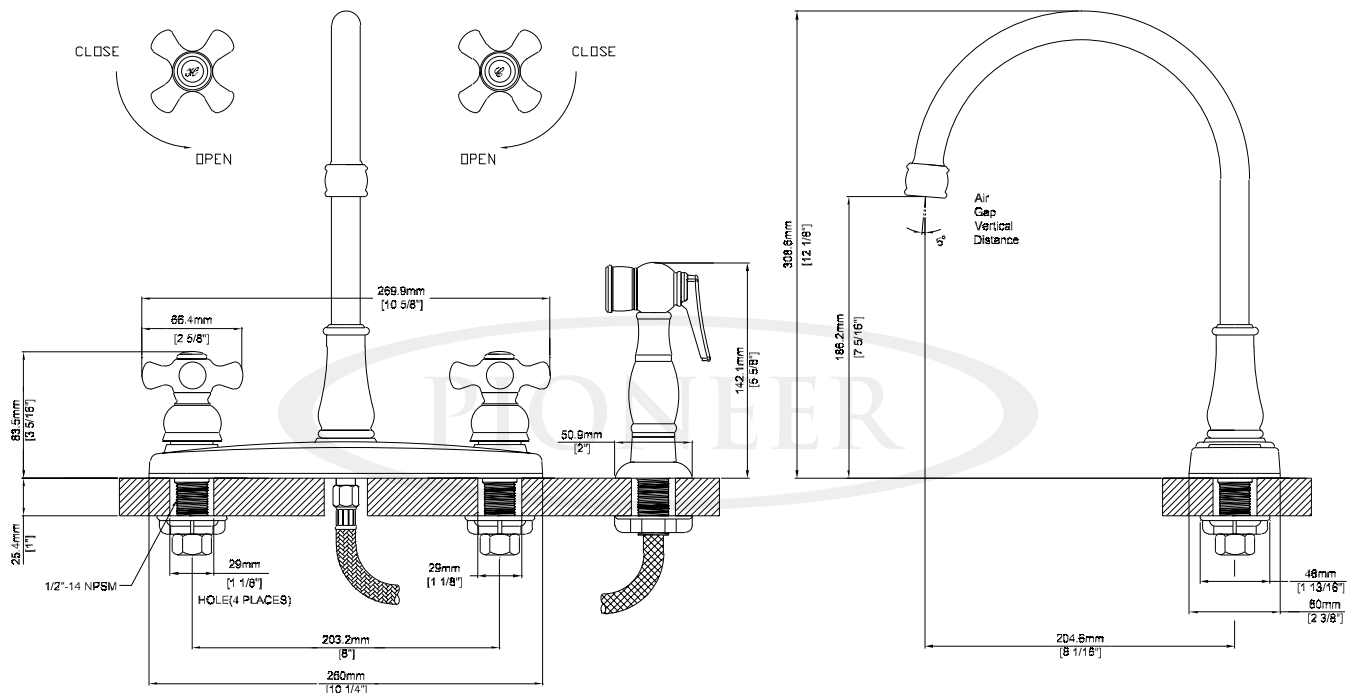
DMSP2BR121/REV. 12 2012

Page 1 of 2

**Installation Note:**

Faucet Hole Size:- 1-1/2"

Maximum Deck Thickness:- 1" (Shank Extension available which extends shank by 1/2")



Product Diagram



ENGINEERING EXCELLENCE

Pioneer: 1-800-338-9468  
 Commerce, CA 90040  
 www.pioneerind.com  
 Pioneer Industries, Inc. © 2013