



ENGINEERING EXCELLENCE

Caesar Collection #4CS610

SPECIFICATION SHEET

DESCRIPTION

- Two Handle Roman Tub Set
- Metal Lever Handles
- Rigid Spout
- 10" Reach
- Ceramic Disc Cartridges
- 3-Hole 8" to 16" Installation

FINISHES

- PC PVD Polished Chrome
- BN PVD Brushed Nickel
- SS PVD Stainless Steel
- PN PVD Polished Nickel
- GR PVD Golden Rose



STANDARDS APPLICABLE

- ASME A112.18.1
- ANSI A117.1
- ADA COMPLIANT

Note:-

Rough-in valve included.

#4CS610 SHOWN * ADA



Model #: _____

Specific Features: _____

Project Name: _____

Submitted For: _____

Model	Description	Finishes	
#4CS610	Two Handle Roman Tub Set	<input type="checkbox"/> PC	<input type="checkbox"/> Other__



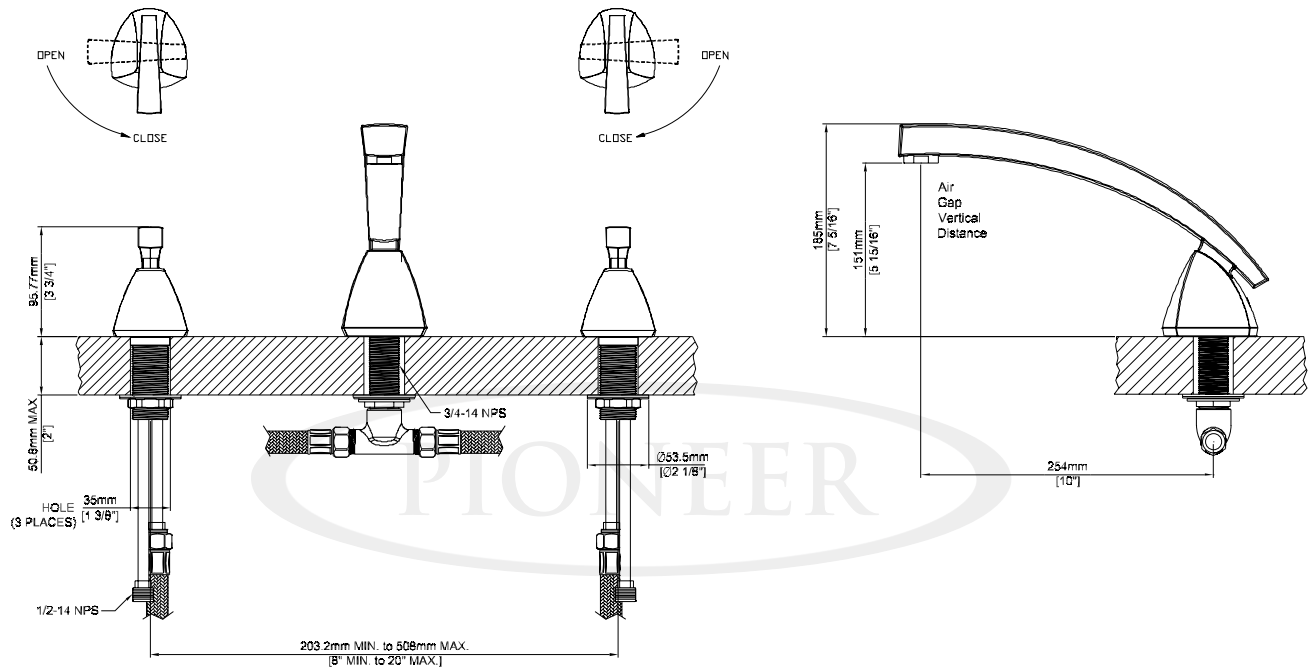
ENGINEERING EXCELLENCE

Pioneer: 1-800-338-9468
 Commerce, CA 90040
 www.pioneerind.com
 Pioneer Industries, Inc. © 2013

DMSP4CS610/REV. 12 2012
 Page 1 of 2

Installation Note:

Please refer to Installation Guide For this Product.



Product Diagram



ENGINEERING EXCELLENCE

Pioneer: 1-800-338-9468

Commerce, CA 90040

www.pioneerind.com

Pioneer Industries, Inc. © 2013