

Safety Bath Serenity & Stretch

- INSTALLATION - USER'S GUIDE -
- REPLACEMENT PARTS -



Safety Bath's Original Upright Accessible Bathing System



Safety Bath Inc.
504 5th Avenue NE
P.O. Box 53
Ituna SK
Canada
S0A 1N0

Phone: 306-795-3465
Fax: 306-795-3533
Toll Free: 877-826-6666

E-Mail: safetybath@sasktel.net

Rev. 11
Sept. 2008

www.safetybath.com



Check your new Safety Bath thoroughly for concealed damage which may have occurred during shipping.

**If any damage is found,
DO NOT INSTALL!
DO NOT ATTEMPT TO REPAIR!
Call your Safety Bath dealer, or
one of our friendly
support staff at
1-877-826-6666
for further instructions.**

TABLE OF CONTENTS

Important Instructions Before Starting	→	4
Pre-Installation Instructions	→	5
Important Safety Instructions	→	6
Danger! Risks To Be Aware Of	→	7
Tools And Materials Required	→	8
Installing Your Bathtub	→	9
Included With Your Safety Bath		
Optional Components And Accessories		
Installation Overview		
Electrical Work		
Waste & Overflow Installation - Typical Floor Application		
Waste & Overflow Installation - Shallow Floor Application		
Optional Moen Faucet Panel Installation		
Finishing And Testing		
Enjoying Your Bathtub	→	31
Getting To Know Your Safety Bath		
Opening And Closing The Door		
The Booster Seat		
Filling And Draining Your Safety Bath		
Pre-Warming The Seat With The Optional Seat Warmer		
Optional Hydrotherapy Systems:		
(i) 12-Jet Warm Air Massage Hydrotherapy System		
(ii) 4-Jet Whirlpool hydrotherapy system		
Appendix A: Optional Molded Corner Skirt Installation	→	42
Appendix B: Optional Serenity Platform Installation	→	45
Appendix C - F: Floor Templates	→	46
Appendix G: Replacement Parts List	→	50

IMPORTANT!

Before Continuing

HELP!

If you have any problems with our product, or if you are missing parts or have damaged parts, please call your Safety Bath dealer where you purchased the bathtub, or one of our friendly and knowledgeable Customer Service Representatives at 1-877-826-6666.

Please note that **WE DO NOT WARRANT THE INSTALLATION**, but will be pleased to advise you on any installation problems you may have encountered.

CHECK YOUR SAFETY BATH BEFORE INSTALLATION

Every Safety Bath is water and functional tested by trained personnel at our factory to ensure your continued enjoyment and piece of mind of ownership. In addition, every Safety bath is CSA and UL approved. However, rough handling during shipping may cause damage or leaks which may be detected prior to installation.

Your new Safety Bath has likely traveled many miles during shipping, so damage to the bathtub, its plumbing components, or accessories may occur before you receive your bathtub.

To ensure you are not installing a damaged bath, **be sure to thoroughly** inspect the bathtub's fiberglass surfaces, all plumbing components and connections, and add-on accessories, such as the tap and shower unit, before beginning installation.

If a damaged component is found, call your Safety Bath dealer where you purchased the bathtub, or call Safety Bath at 1-877-826-6666 to arrange a replacement.

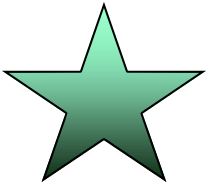
INTRODUCTION

All Safety Bath bathtubs are CSA and UL approved, and are covered by our standard warranty program.

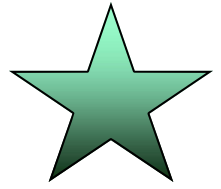
Read this manual thoroughly before installing your new bathtub. The final product will be well worth the extra time you spend on the details. Follow the step-by-step instructions to assure proper installation and avoid costly mistakes or servicing. Pay close attention to the electrical requirements.

Refer to the important safety instructions, page 3, before continuing.





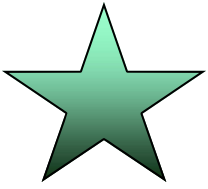
Pre-Installation



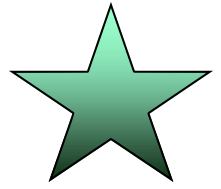
SAVE THESE INSTRUCTIONS!

BEFORE BEGINNING INSTALLATION:

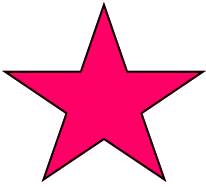
- ◆ **CAREFULLY READ THE INSTRUCTIONS BEFORE BEGINNING THE INSTALLATION.**
- ◆ **CONSULT LOCAL BUILDING CODES** to make sure the installation complies with standards. Installation must comply with current local, state, and federal building, plumbing, and electrical codes.
It is the responsibility of the installer or owner to determine code requirements prior to installation.
- ◆ **CHECK ENTIRE UNIT FOR CONCEALED DAMAGE.** If there is damage, **DO NOT INSTALL!** Shipping damage must be reported to the carrier immediately. All damage must be discovered and reported prior to installation in order to have it covered under the warranty!
- ◆ **Examine all plumbing for damage before installation.** If damage has occurred, call your Safety Bath dealer, or call Safety Bath at **1-877-826-6666** for instructions. Alterations or modifications of the plumbing system could expose users to serious injury and will invalidate all warranty claims.
- ◆ **To protect the unit during installation,** use the box top that the bathtub was shipped in or a suitable soft drop cloth. When possible, keep the box cover over the bathtub.
- ◆ **Make sure the bathroom floor is level and strong enough to support the weight of the water-filled bathtub (70 pounds/sq.ft.). BE AWARE THAT THE SAFETY BATH SERENITY ANS STRETCH EXERT 1.4 TIMES THE FORCE ON THE FLOOR AS A STANDARD BATHTUB.** Make sure the walls are properly insulated and comply with the appropriate building code.
- ◆ If your Safety Bath So-Lo is equipped with an optional hydrotherapy system, Safety Bath highly recommends cutting an access hole in the floor as per the included floor template. This will allow access to the system's pump or blower, and other critical components.
- ◆ Connections should be made by licensed plumbers and electricians.
- ◆ If replacing an old bathtub, Safety Bath highly recommends using the optional corner skirt for a finished appearance.
- ◆ **Safety Bath recommends leaving the bathtub's door slightly ajar when not in use.** This will help extend the life of the door seal, and will provide years of trouble-free service.
- ◆ **Be sure to thoroughly test bathtub for operation and leaks before proceeding with final trim work and caulking.** Test the drainage system. Ensure the drainage system is properly vented.
- ◆ *If your Safety Bath is replacing an existing bathtub, be sure to inquire about our optional corner finishing skirt. The matching fiberglass corner skirt will cover any unsightly damage caused by the removal of an old bathtub, and will also provide an anti-slip surface when exiting the Safety Bath.*



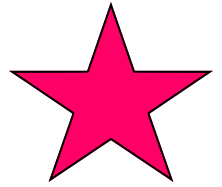
Important Safety Instructions



- ♦ **READ AND FOLLOW ALL INSTRUCTIONS**
- ♦ **DANGER:** To reduce the risk of injury, do not permit children to use this unit unless they are closely supervised at all times.
- ♦ For indoor use only.
- ♦ Install in accordance with the manufacturer's installation instructions as outlined in this manual.
- ♦ Use this unit only for its intended purpose as described in this manual. Do not use attachments not recommended by Safety Bath.
- ♦ Never drop or insert any object into any opening,
- ♦ If the optional Molded Corner Skirt is not used, a non-slip floor surface in front of the installed bathtub is **A MUST** to prevent slipping of persons exiting bath after use.
- ♦ This unit must be connected to a power supply circuit that is protected by a ground-fault circuit interrupter (GFCI). Such a GFCI should be provided by the installer and should be tested on a regular basis. To test the GFCI, push the "TEST" button. The GFCI should interrupt the flow of power. Push the "RESET" button and power should be restored. If the GFCI fails to operate in this manner, it means the GFCI may be inoperative. Do not use the unit. Disconnect the unit, or turn off the breaker in your electrical panel which operates the unit, and contact a qualified electrician to correct the problem. **FAILURE TO DO SO MAY RESULT IN PERSONAL INJURY OR DEATH FROM ELECTRICAL SHOCK.**
- ♦ **CAUTION! Risk of electrical shock** - disconnect power to pump or blower before servicing.
- ♦ Installation must comply with your local electrical and plumbing codes. Check with your municipality as, in most cases, plumbing and electrical work will require a permit, and the final installation may have to be approved by a qualified inspector.
- ♦ Safety Bath **HIGHLY RECOMMENDS** this bathing system be installed by a qualified service representative.
- ♦ On hydrotherapy-equipped models, an equipment grounding terminal is provided in the field wiring compartment under the seat of the bathtub. **This terminal must be connected to the building's ground by a conductor equivalent in size to the circuit conductors supplying the hydrotherapy components.**
- ♦ Never lift the bathtub assembly by its plumbing, and do not attempt to alter the unit's pump or plumbing fixtures and tubes.
- ♦ The optional hydrotherapy system's pump or blower unit must be left installed on their factory-provided mountings. Removal or alteration will void warranty.
- ♦ If this unit is replacing an existing bathtub, and old wall surfaces are being removed or exposed, use a face dust mask and/or other appropriate Personal Protective Equipment.
- ♦ Ensure there is proper floor support below your new bathtub. **A Safety Bath exerts 1.4 times as much weight per square inch as a standard bathtub.**
- ♦ **Installer/Owner bears all responsibility to comply with all local, state, and federal building codes when installing this unit.**
- ♦ **Failing to follow the pre-installation and inspection procedures may void warranty. Safety Bath will not be responsible for removal or re-installation of your bathtub if this manual is not followed.**
- ♦ On hydrotherapy-equipped models, test the ground fault circuit interrupter protecting the hydrotherapy system periodically.



Danger!



- ◆ **CAUTION! Risk of electrical shock** - Disconnect power to pump or blower before servicing.
- ◆ **CAUTION:** On hydrotherapy-equipped models, test the ground fault circuit interrupter protecting your Safety Bath periodically. To test the GFCI, push the “TEST” button. The GFCI should interrupt the flow of power. Push the “RESET” button and power should be restored. If the GFCI fails to operate in this manner, it means the GFCI may be inoperative. Do not use the unit. Disconnect the unit, or turn off the breaker in your electrical panel which operates the unit, and contact a qualified electrician to correct the problem. **FAILURE TO DO SO MAY RESULT IN PERSONAL INJURY OR DEATH FROM ELECTRICAL SHOCK.**
- ◆ **WARNING! Risk of accidental injury or drowning** - Do not use drugs or consume alcohol before or during the use of any hydrotherapy-equipped Safety Bath to avoid unconsciousness and possible drowning.
- ◆ **WARNING! Risk of fetal injury** - Consult your physician before using your hydrotherapy bathtub if you are pregnant, or suspect you may be.
- ◆ **WARNING! Risk of accidental injury or drowning** - Do not use the Water Jet hydrotherapy system unless the suction guard is installed to prevent body and hair entrapment.
- ◆ **WARNING! Risk of accidental injury or drowning** - Children should not use any hydrotherapy-equipped bathtub without adult supervision.
- ◆ **WARNING:** To avoid injury, exercise care when entering or exiting your Safety Bath.
- ◆ **WARNING! Risk of electric shock** - Do not permit any electric appliances (such as a hair dryer, lamp, telephone, radio, or television) within 1.5m of your Safety Bath.
- ◆ **WARNING! Risk of hyperthermia and possible drowning** - Do not use any hydrotherapy-equipped bathtub immediately following strenuous exercise.
- ◆ **WARNING:** Water temperature in excess of 38 degrees Celsius may be injurious to your health. Check and adjust water temperature regularly while filling.
- ◆ **WARNING:** People using medications, and/or having an adverse medical history should consult a physician before using a hydrotherapy-equipped bathtub.

Tools Required:

- ⇒ Claw Hammer
- ⇒ 48" Level
- ⇒ Slotted Screwdriver
- ⇒ Hex Key Wrenches
- ⇒ Phillips Screwdriver
- ⇒ Robertson #2 Screwdriver
- ⇒ Caulking Gun
- ⇒ Pliers
- ⇒ Angle Grinder With Cut-Off Disc (for optional corner skirt only)
- ⇒ Hand or Power Saw
- ⇒ Utility Knife

Materials Required:

- ⇒ Latex Color-Matched Caulk
- ⇒ Shims or Cedar Shingles
- ⇒ Waterproof Junction Box
- ⇒ 15A Class A GFCI Breaker
- ⇒ White Carpenter's Glue
- ⇒ 1/2" Flexible Water Lines (for connecting hot & cold water feed lines)
- ⇒ 1 1/2" ABS or PVC Plumbing Components—to connect Safety Bath's drain & overflow to building's waste system. Refer to local code pertaining to the use of PVC vs. ABS pipe.
- ⇒ Petroleum Jelly

May Be Required:

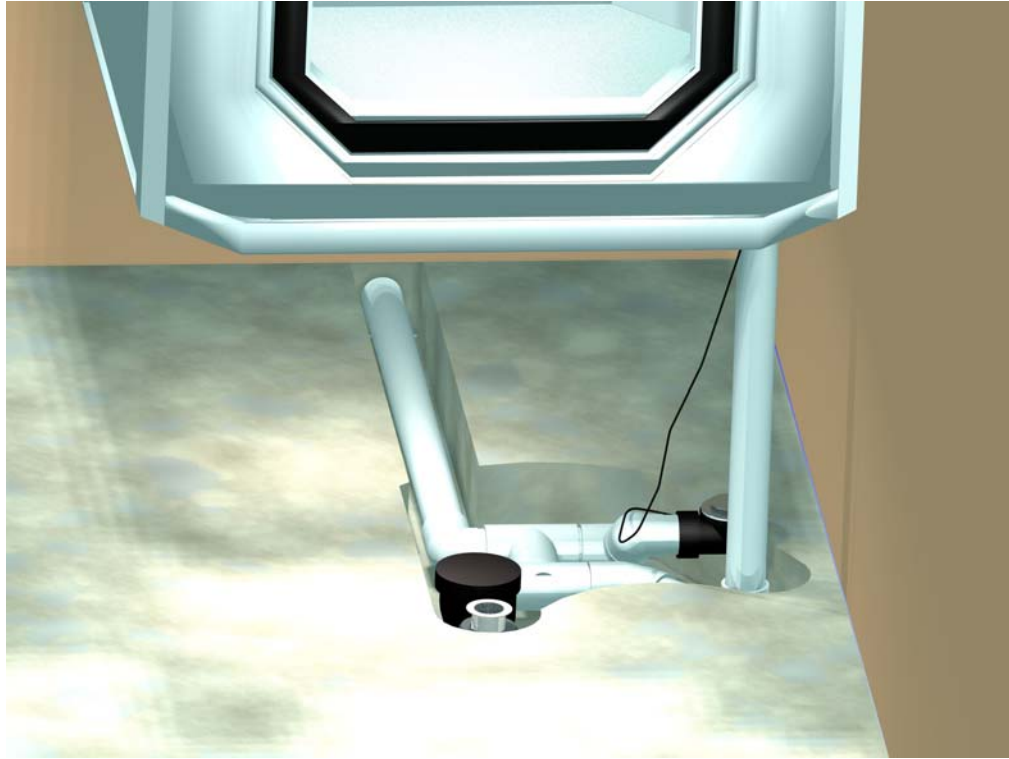
- ⇒ Wallboard
- ⇒ Drywall Screws
- ⇒ Drywall Tape & Compound
- ⇒ 2x4 lumber

Warranty

SAFETY BATH WARRANTY

- ** Lifetime replacement warranty on the door seal. First year - parts and labor, remaining years - parts only.
- ** Five year warranty on the bathtub, door handle, and latching mechanism. First year - parts and labor, remaining years - parts only.
- ** One year warranty on hydrotherapy components, heated seat, hand-held shower, drains, and booster seat.
 - ** Faucets come with limited lifetime warranty from the manufacturer.
- ** Safety Bath Inc. covers labor and one (1) hour traveling time during the first year only. Balance is owners/end-user's responsibility.
 - ** Warranty applies to the original purchaser only.
 - ** All warranty claims must be pre-authorized by Safety Bath Inc.

Bathtub Installation



...

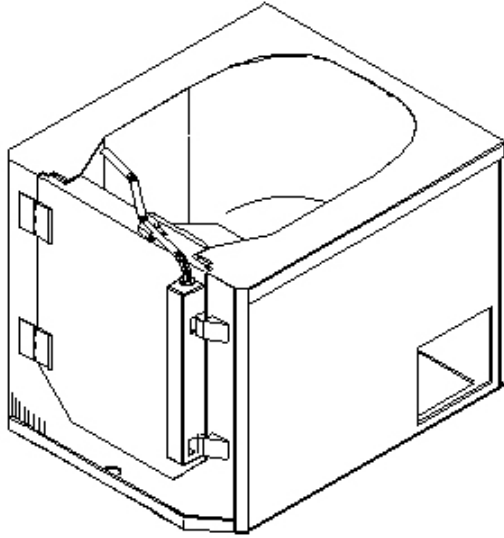


**Your Safety Bath
Serenity or Stretch
has been
engineered
and built to
Safety Bath's
highest standards.
Proper installation and
testing by qualified trades
is essential to your
continued satisfaction
with your investment.**

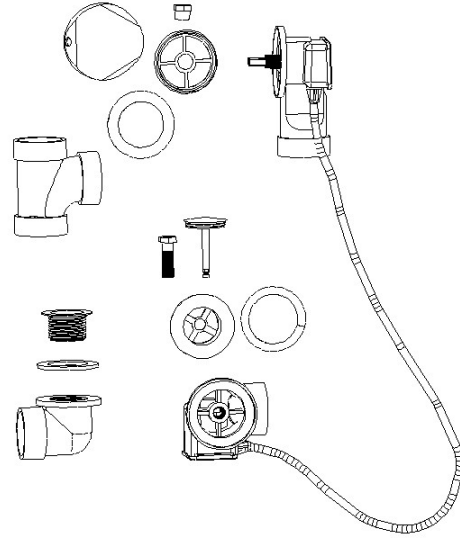
Included With Your Safety Bath:

Every Safety Bath Serenity or Stretch includes:

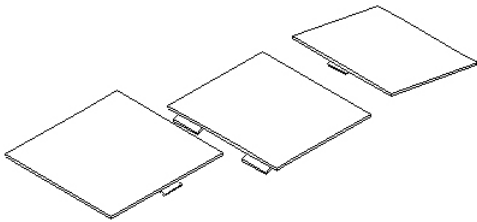
The Bathtub



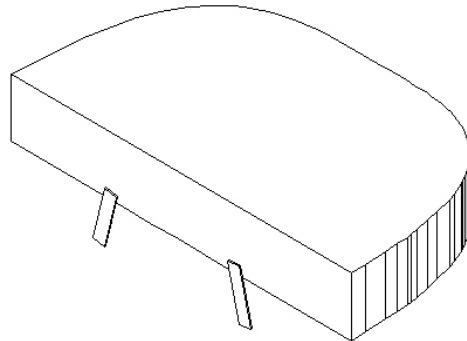
Waste & Overflow Kit



3 Side Access Hole Covers



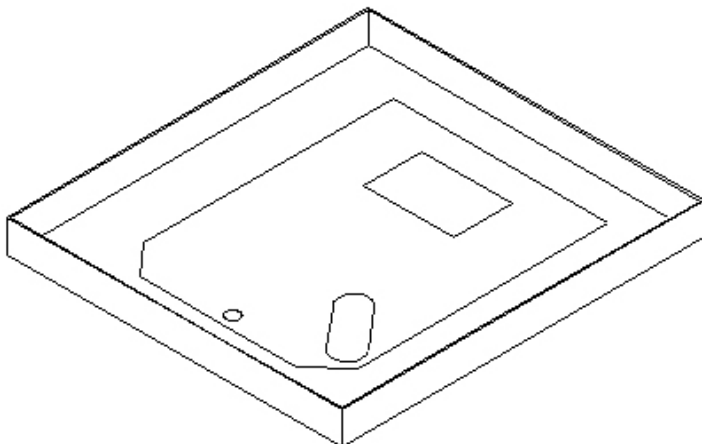
Booster Seat



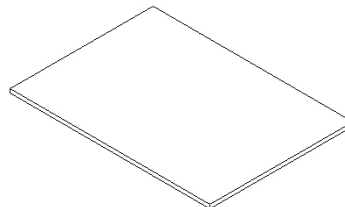
2-Piece Trim Board Kit



Template—Traced On Box Lid



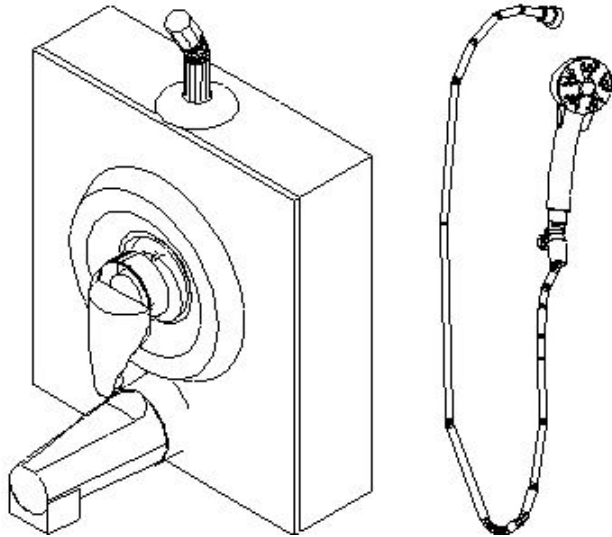
Manual & Warranty Info



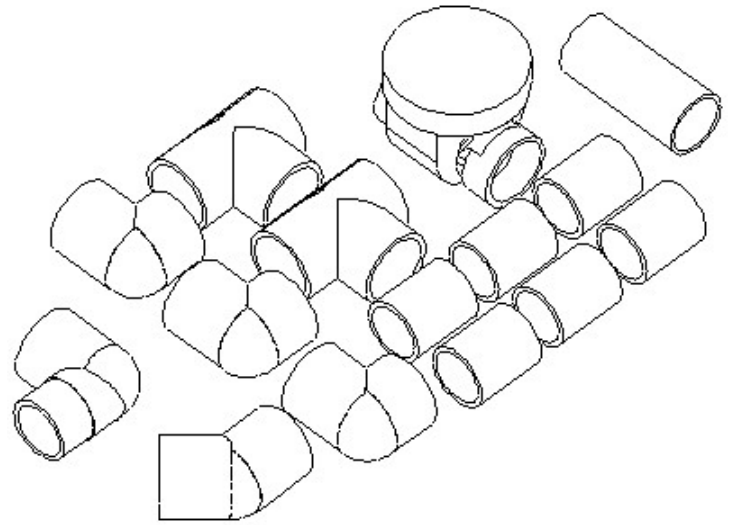
Optional Safety Bath Components/Assemblies:

These components or assemblies may be included with your Safety Bath if specified:

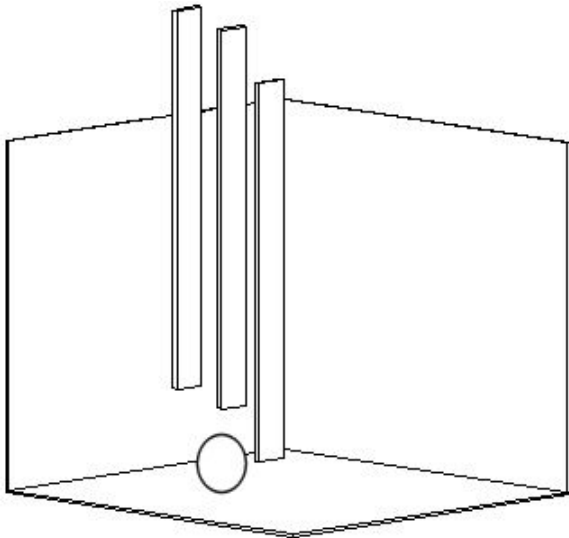
Posi-Temp Faucet Panel Kit With Shower Head



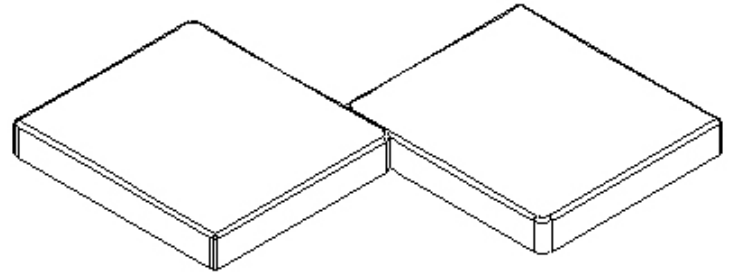
Shallow Drain Kit



Corner Skirt Kit



Serenity Platform (2-Piece)



Shower Curtain Rod Kit



INSTALLATION OVERVIEW

A. Electrical Work - page 13

If your Safety Bath is equipped with an optional hydrotherapy system or heated seat, electrical rough-in needs to be done prior to the bathtub installation. Rough-in a 110/120VAC GFCI circuit for a hydrotherapy system. Rough-in a second 110/120 VAC GFCI circuit for a heated seat transformer. Make all connections under the bathtub, and in a waterproof electrical junction box. Schematics are supplied on page 14.

B. Waste & Overflow Installation - Typical Floor Application - page 15

Using floor template, provided, mark out the location of the bathtub on the floor. Mark out plumbing hole locations, as well as hydrotherapy system access hole location. Cut holes in floor to accommodate plumbing. Trial-fit and assemble waste and overflow components. Install main waste & overflow assembly into bathtub. Install front drain into bathtub. Set bathtub in place and connect to building's waste system.

C. Waste & Overflow Installation - Shallow Floor Application - page 20

Using floor template, provided, mark out the location of the bathtub on the floor. Be sure that there is no radiant in-floor heating, and if there is, please consider using Safety Bath's optional Serenity Platform. Cut recess or hole in floor to accommodate waste & overflow plumbing. Trial-fit and assemble waste and overflow components. Install main waste & overflow assembly into bathtub. Set bathtub in place and connect to building's waste system.

D. Water Supply Lines & Pre-Plumbed Moen Faucet Panel Installation - page 25

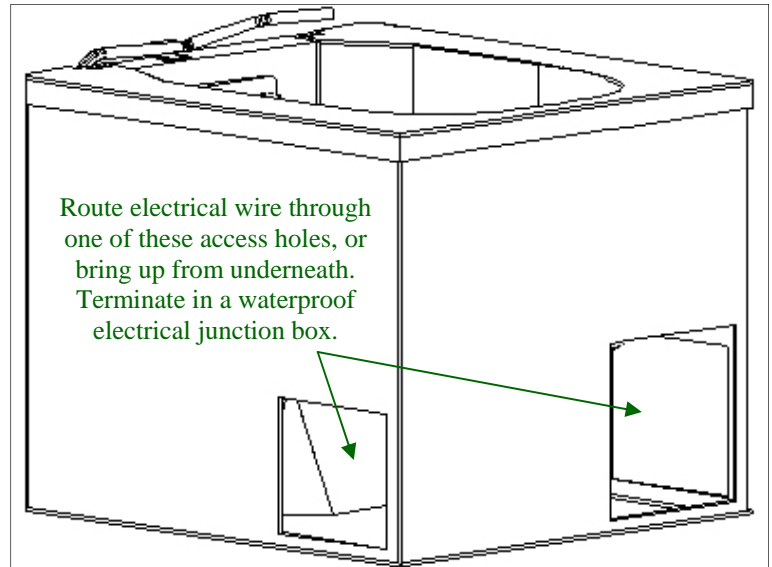
If the optional Moen Faucet Panel was shipped with your Safety Bath, connect it to the building's fresh water supply system with two 1/2" plastic or stainless feed lines (*not provided*). Secure and seal the faucet panel to the bathtub using silicone sealant. Connect the shower hose and head unit.

E. Finishing And Testing - page 27

Make all electrical connection if hydrotherapy or heated seat options are installed. Energize electrical circuits. Fill the bathtub with water and check overflow and drain performance, while checking for leaks. Test the functionality of the heated seat, if equipped. Test the functionality of the hydrotherapy system, if equipped. Silicone all edges of bathtub which meet the floor or wall. Install the 2-piece trim board finishing kit.

A. Electrical Work

1. If your new Safety Bath is intended to replace an existing bathtub, the old tub must be removed first. Use a dust mask during this step.
2. If your Safety Bath is equipped with one of our optional hydrotherapy systems, a 110/120-volt, 15 Amp Class A GFCI circuit must be installed prior to bathtub installation. For convenience, this wire may be run up through the floor under the bathtub, or through one of the three side or back access holes in the bathtub. Terminate this wire in a waterproof electrical junction box, and make all connections in the box. Refer to schematic illustration on following page.

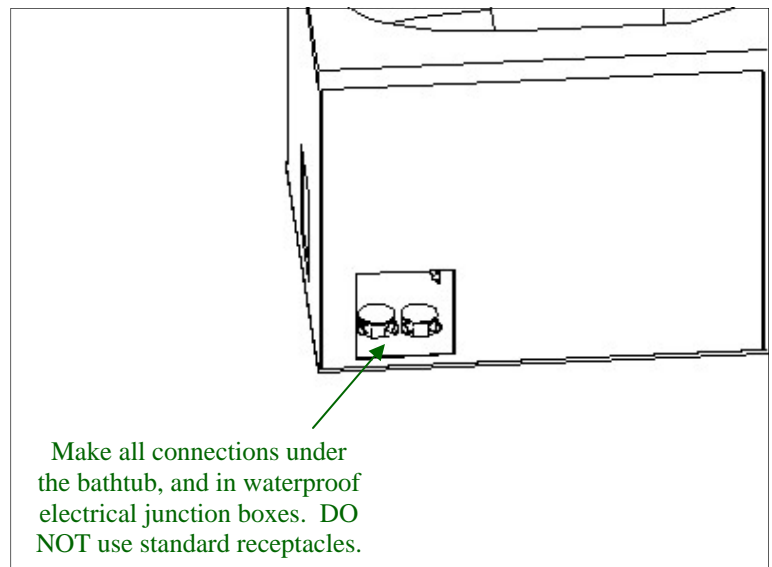


***** Refer to local, state, and federal electrical code when performing any electrical work. Electrical connections must be made by a licensed electrician.**

When deciding the location for the junction boxes, please keep in mind that there may be a square hole cut in the floor to provide access to the pump or blower motor. Refer to the floor template provided for cut-out locations.

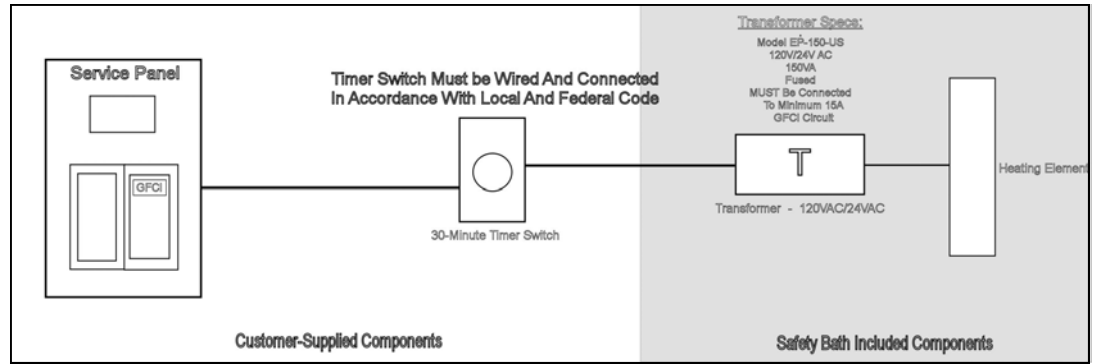
Safety Bath highly recommends hard-wiring the bathtub to the GFCI using a closed junction box, rather than using a standard receptacle.

3. If your Safety Bath is equipped with the optional seat warmer, you will also need to install a circuit for the seat warmer. This must also be a 110/120-volt, 15A Class A GFCI circuit. A 30-minute timer switch for the seat warmer, as well as wire between the switch and the seat warmer transformer needs to be installed. Safety Bath recommends the timer be placed in a convenient location, such as near an entrance door on the wall, next to the light switch. This wire may also be run through one of the three access holes, or from underneath. Finally, terminate this feed wire in a second waterproof electrical junction box as per code.



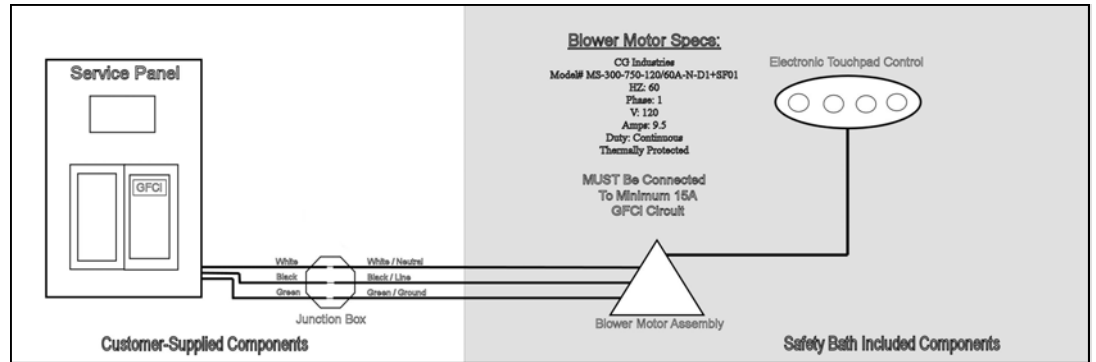
Electrical Schematic:

Safety Bath Heated Seat



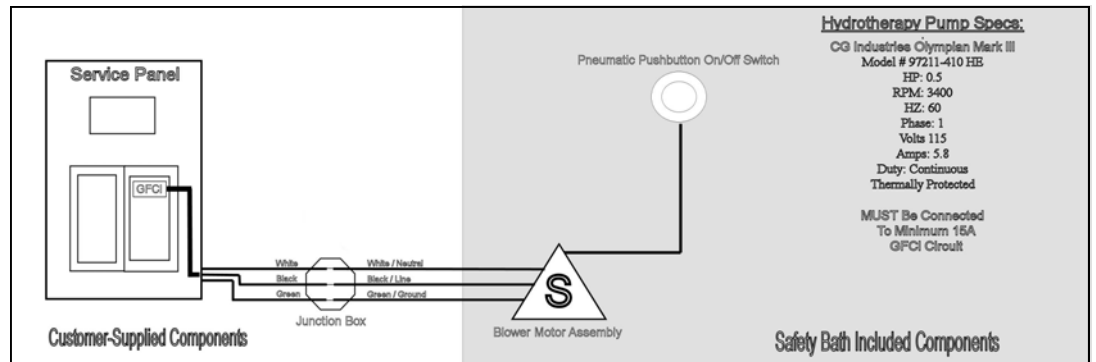
Electrical Schematic:

Safety Bath Warm Air Massage Hydrotherapy System



Electrical Schematic:

Safety Bath 4-Jet Water Jet Hydrotherapy System
(Special Order Only)



Electrical Specifications:

Seat Warmer Transformer

Model # EP-150-US
HZ: 60
Volts, Primary: 120VAC
Volts, Secondary: 24VAC
Output: 150VA
Fused

MUST be connected to a minimum 15A Class A GFCI dedicated circuit

12-Jet Blower Motor

CG Industries
Model# MS-300-750-120/60A-N-1+SF01
HZ: 60
Phase: 1
Volts: 120VAC
Amps: 9.5
Duty: Continuous
Thermally Protected

MUST be connected to a minimum 15A Class A GFCI dedicated circuit

4-Jet Pump Motor

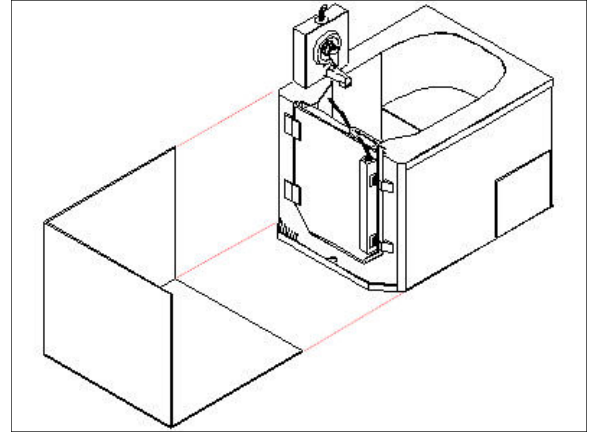
CG Industries Olympian Mark III
Model # 97211-410 HE
HP: 0.5
RPM: 3400
HZ: 60
Phase: 1
Volts: 115VAC
Amps: 5.8
Duty: Continuous
Thermally Protected

MUST be connected to a minimum 15A Class A GFCI dedicated circuit

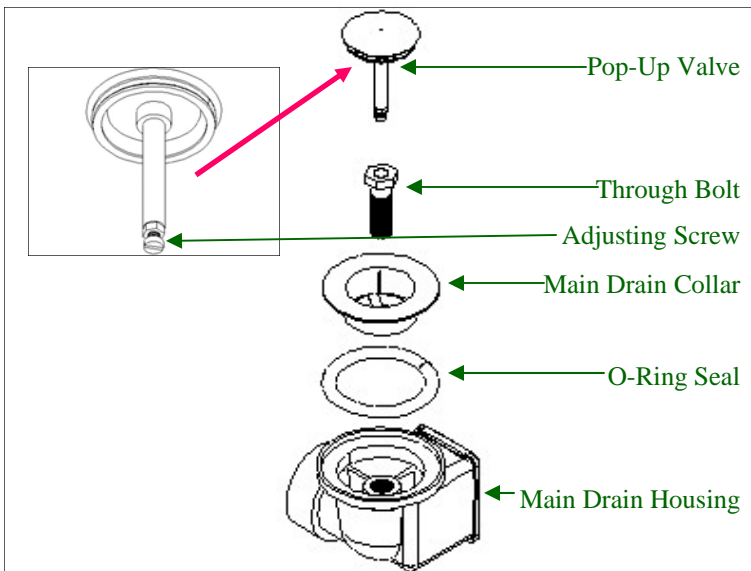
B. Waste & Overflow Installation - Typical Floor Application

If you have a large unfinished area where an old tub was removed, our optional Molded Corner Skirt will cover up any bare wood, plumbing holes, etc. The corner skirt also gives the Safety Bath a clean, finished appearance and provides an anti-slip stepping surface. The Molded Corner Skirt must be installed prior to final plumbing connections.

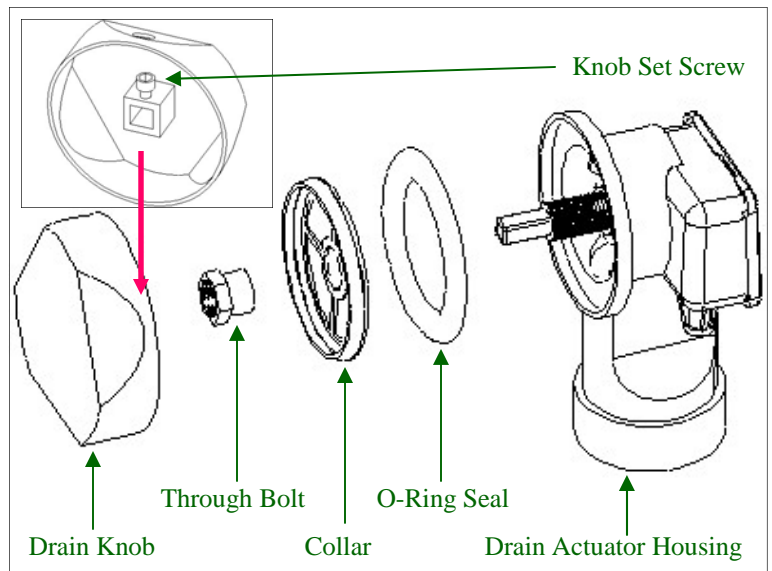
⇒ Refer to appendix A for Molded Corner Skirt installation details.



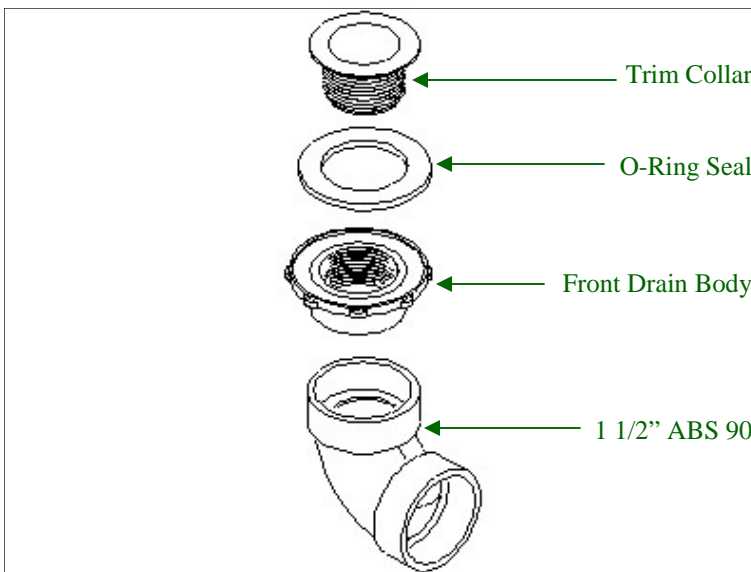
1. Illustrated below are exploded diagrams of all waste and overflow components:



Main Drain Assembly - Exploded View

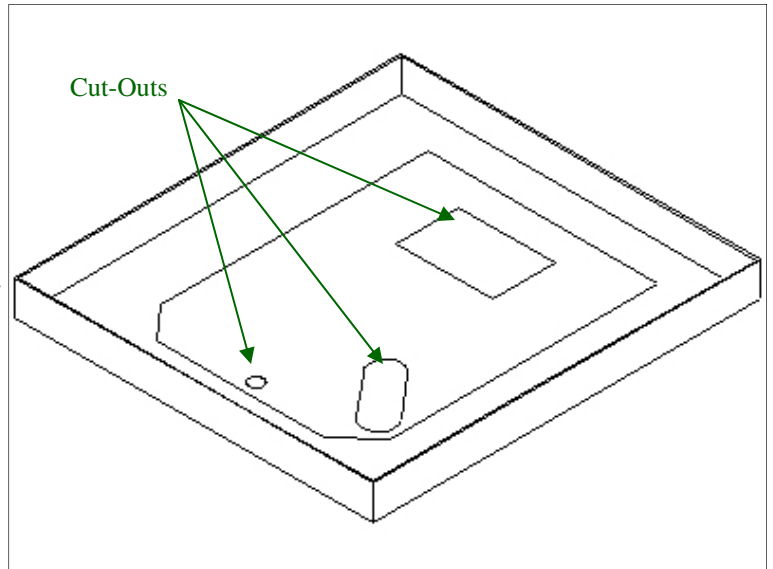


Drain Actuator Assembly - Exploded View

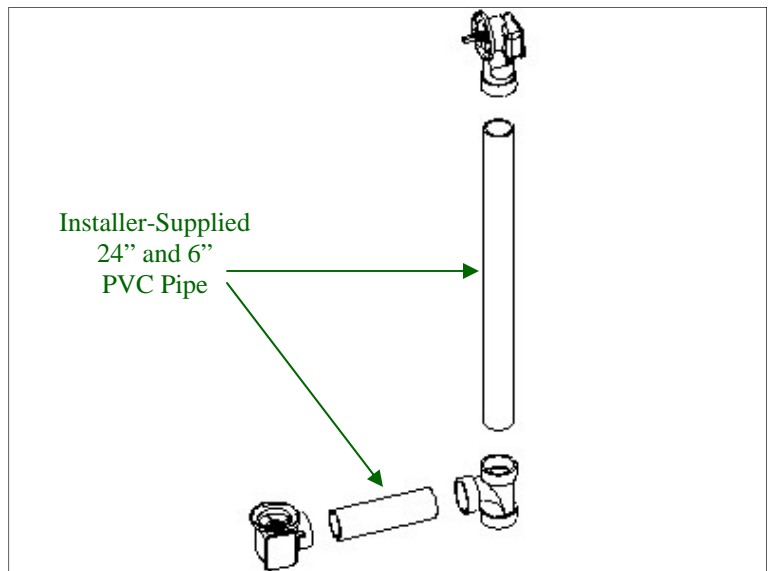


Front Drain Assembly - Exploded View

2. The floor template is drawn on the shipping box bottom. Cut the template out using a utility knife and lay on the floor in the proposed location of the Safety Bath. Using the template, mark out the bathtub location on the floor. Be sure to include the locations for the plumbing holes. **NOTE:** The square cutout for the motor inspection hole in the floor on wood floor applications is optional, but **highly recommended** for easy pump motor electrical hookup, inspection and replacement.

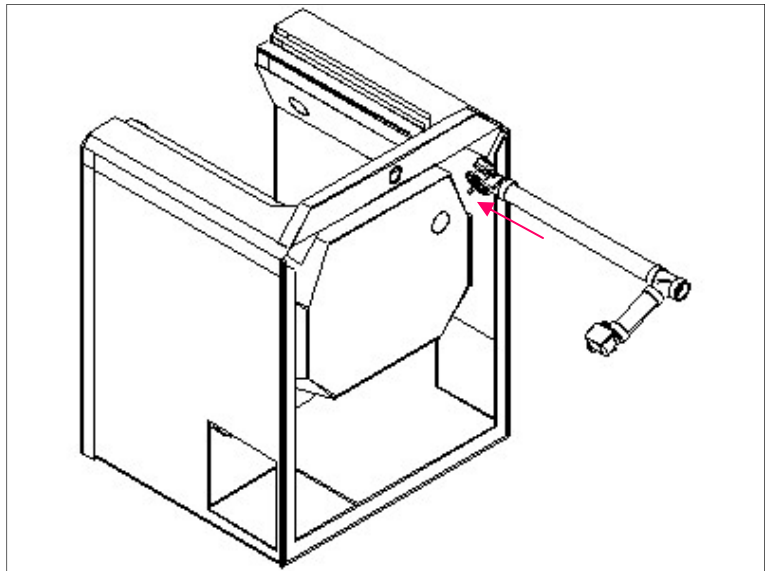


3. If this bathtub is replacing an old bathtub, we highly recommend cleaning the old drain plumbing with a snake or similar tool to ensure drain is clear, since debris may fall into drain while old tub is removed. A slow-running drain may cause water to back up into front drain, causing property damage.
4. Cut out the motor access hole, the main waste & overflow hole, and the front drain hole.
5. Place the Safety Bath in position. Make sure hole for front drain is aligned. If not, remove bath and enlarge hole in floor.
6. You will require two pieces of 1 1/2" PVC pipe for main drain & overflow assembly. Cut one piece at 24" in length, and the other at 6" in length. Assemble the waste & overflow assembly, **but do not glue anything together yet.** Make sure the sanitary tee is facing the correct direction, as illustrated.

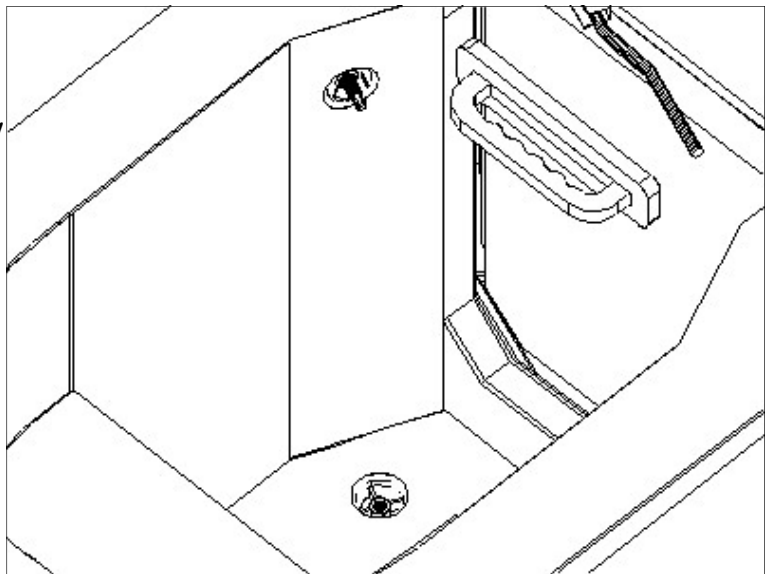


7. Trial-fit the assembly in the bathtub. Lay a blanket or soft drop cloth on the floor and lay the bathtub on its back. Slide the waste & overflow assembly into place. Trim the 1 1/2" PVC pipes until a satisfactory fit is attained. Once the fit is confirmed, mark the pieces for alignment, disassemble, and cement together with PVC cement. Use of an appropriate PVC primer will provide better adhesion with less likelihood of leaks in the future.

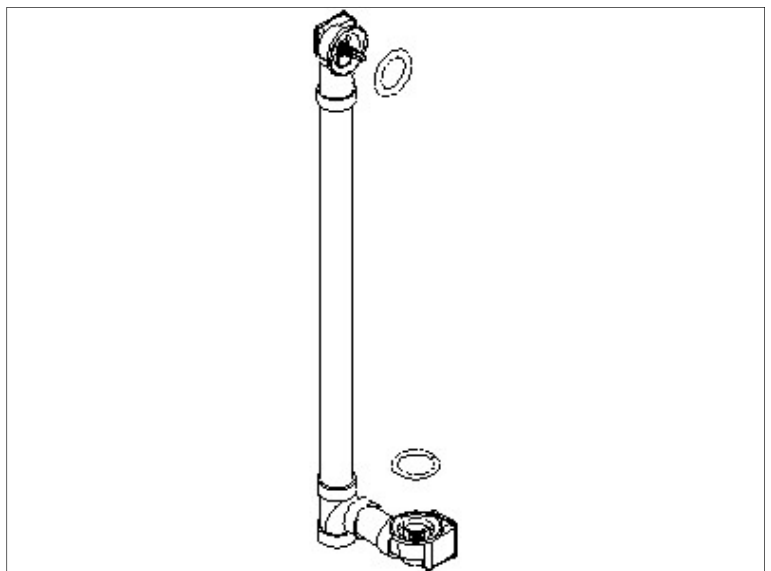
(Door and hinges shown removed for illustrative purposes)



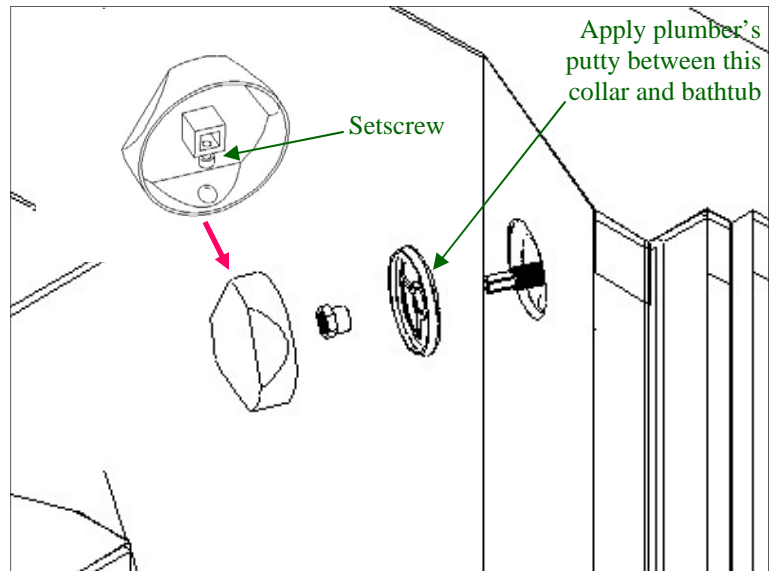
The installed waste and overflow assembly should align something like this...



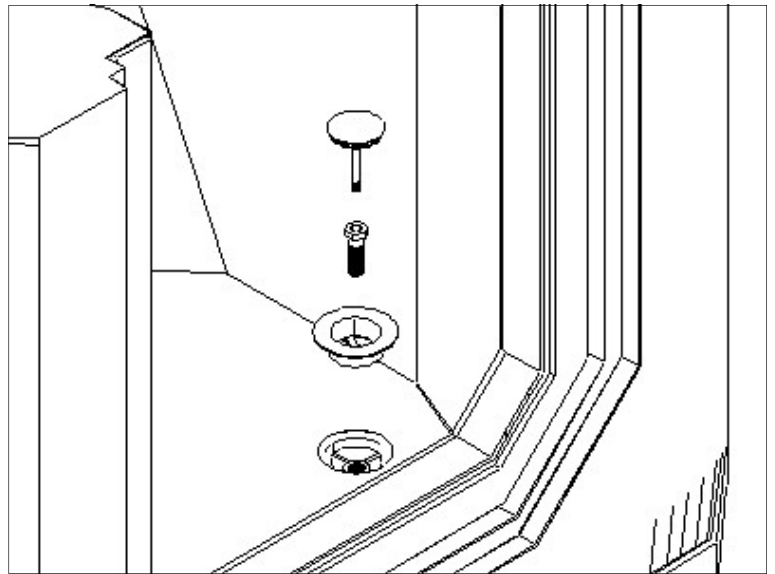
8. With the waste & overflow components assembled and glued together, install the o-ring seals on the drain actuator housing and main drain housing. Use petroleum jelly or equivalent to hold seals in place while positioning. Slide the assembly into position once again. Re-check for alignment at the drain actuator hole and main drain hole.



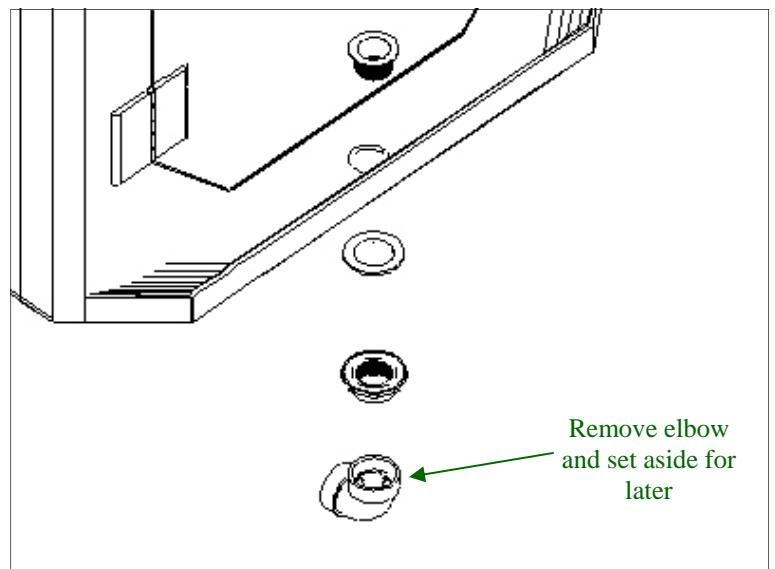
9. Install collar and through-bolt onto drain actuator shaft. Apply plumber's putty between collar and bathtub to ensure a perfect seal. Using a hex head wrench ("allen wrench"), install the set screw into the boss on the backside of the drain knob. Slide the drain knob over the actuator shaft and tighten set screw to secure in position.



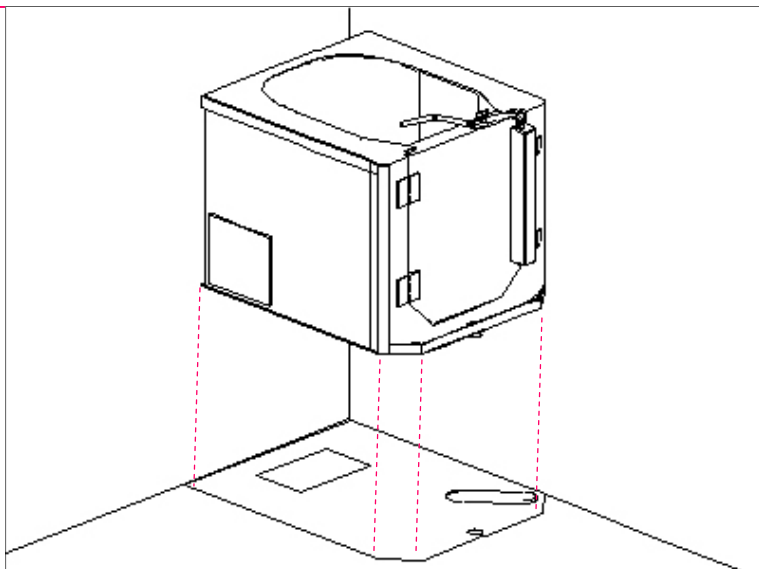
10. Using the through-bolt, secure collar onto main drain housing. **SNUG, BUT DO NOT OVERTIGHTEN.** Once again, using plumber's putty between collar and bathtub will give added protection against leaks. Over-tightening the through-bolt will distort the machined boss in the through-bolt, causing the pop-up valve to bind. Insert the pop-up valve through the machined boss in the through bolt. Note the adjusting screw on the end of the pop-up valve. This provides adjustment for the drain should it not seal completely, or not open fully.



11. Install the front (auxiliary) drain. Refer to illustration, right. Remove the 90-degree elbow from the front drain assembly and set aside for later.



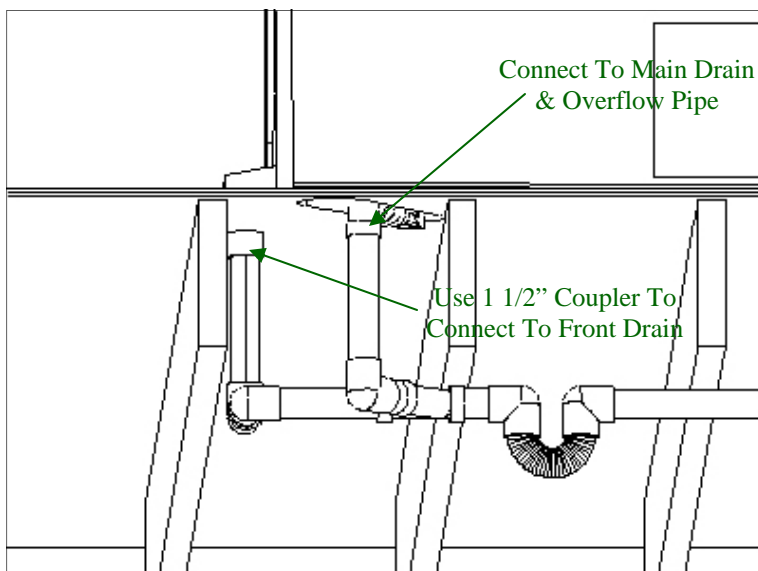
12. Carefully lift or slide bathtub into position. The main waste & overflow plumbing should drop through the oval-shaped hole cut in the floor, while the front drain should drop through the front hole cut in the floor. You may want to check, at this point, whether the bathtub is level in both directions. If not, use shims to make it level.



13. Connect main drain and overflow downpipe and front drain to building's waste system. Safety Bath recommends dropping the plumbing below floor joists for best performance. If this is not possible, see step 14, below. Use a 1 1/2" coupler to connect waste pipe to front drain.

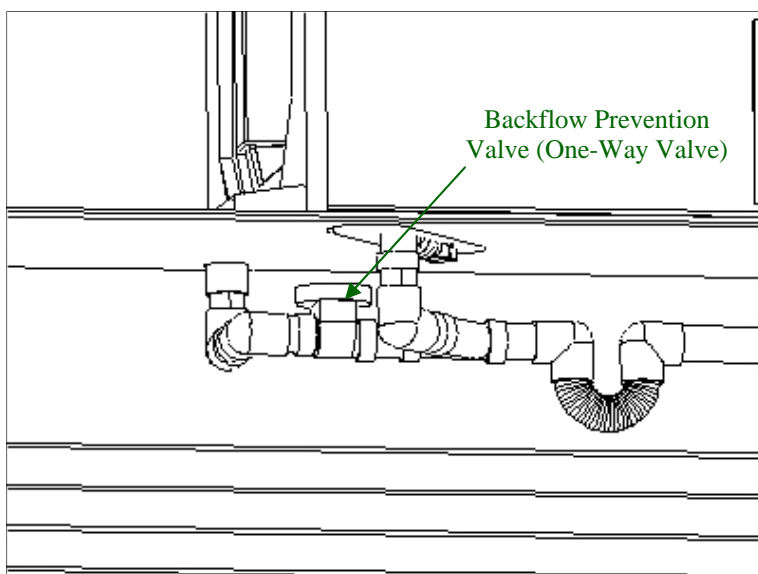
Be sure to install an in-line p-trap as per plumbing code.

Be sure waste plumbing is properly vented.



****** Refer to local, state, and federal plumbing code when making any plumbing connections. Plumbing connections must be made by a licensed plumber.***

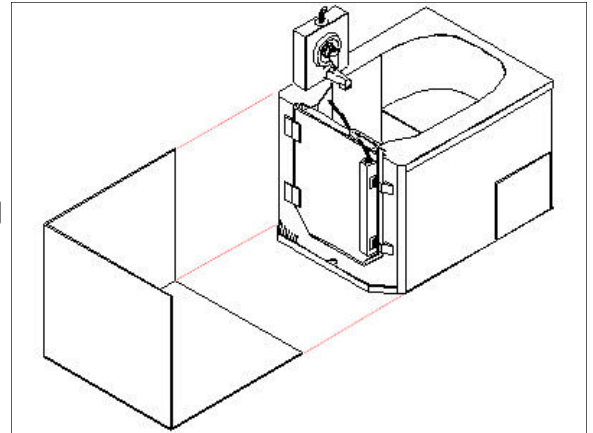
14. If the waste plumbing is to be run between the floor joists, a backflow prevention valve (*not included*) must be installed between the front drain and main drain. This is to prevent waste water from backing up into the front drain, taking the path of least resistance.



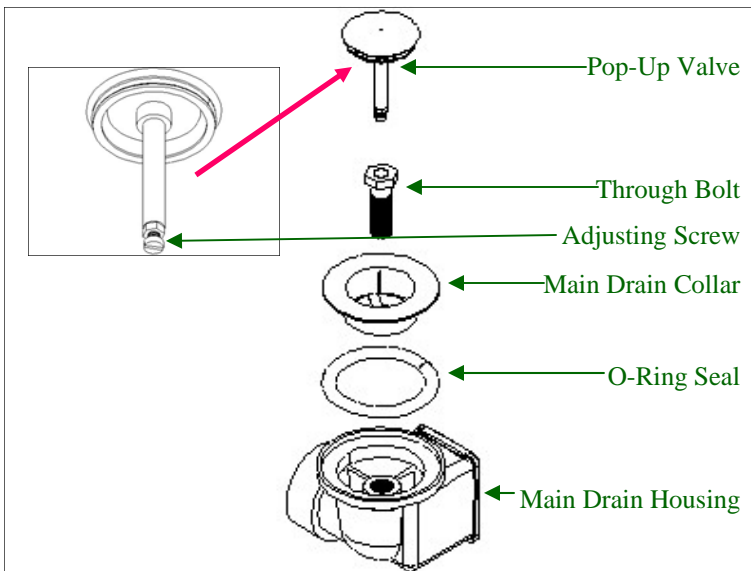
C. Waste & Overflow Installation - Shallow Floor Application

If you have a large unfinished area where an old tub was removed, our optional Molded Corner Skirt will cover up any unfinished floor surface. The corner skirt also gives the Safety Bath a clean, finished appearance and provides an anti-slip stepping surface. The Molded Corner Skirt must be installed prior to final plumbing connections.

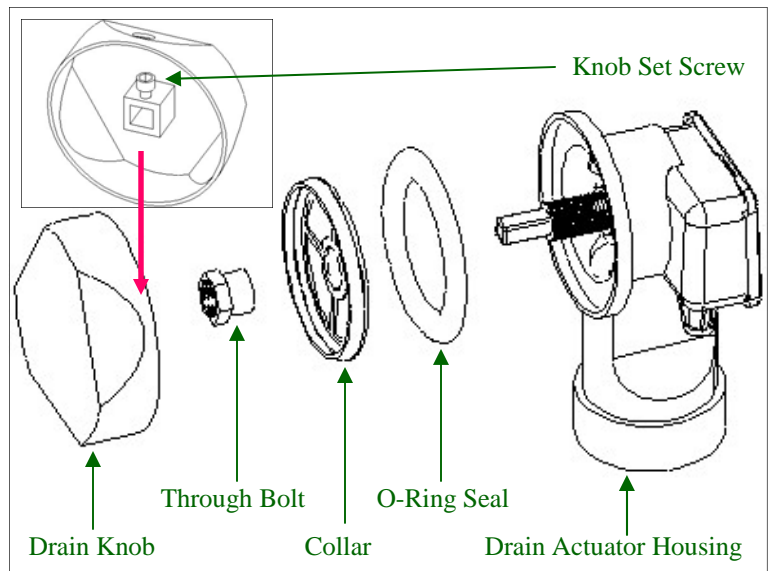
⇒ Refer to appendix A for Molded Corner Skirt installation details.



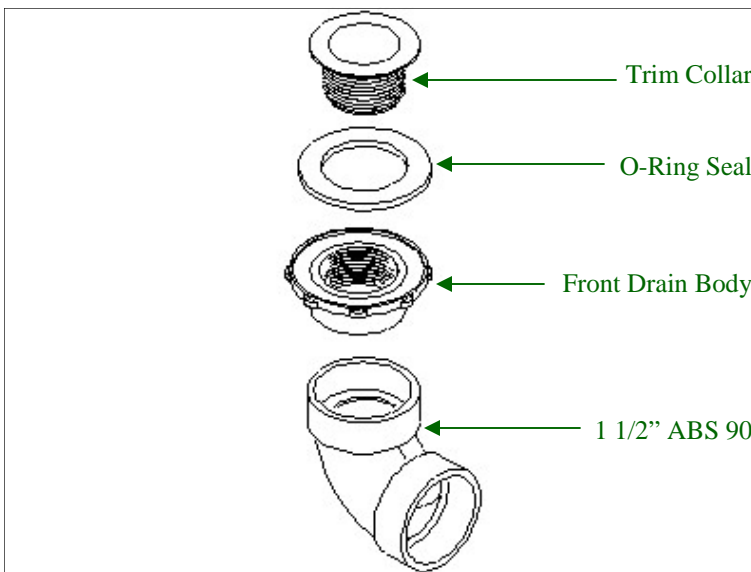
1. Illustrated below are exploded diagrams of all waste and overflow components:



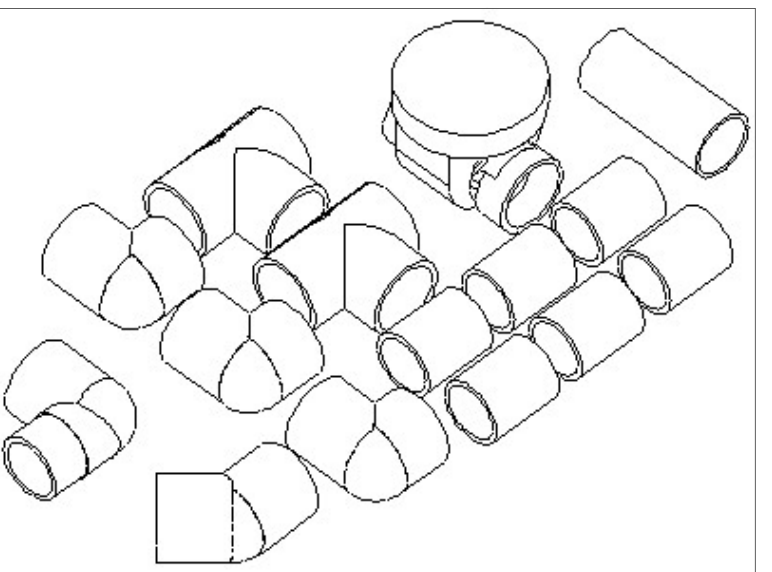
Main Drain Assembly - Exploded View



Drain Actuator Assembly - Exploded View

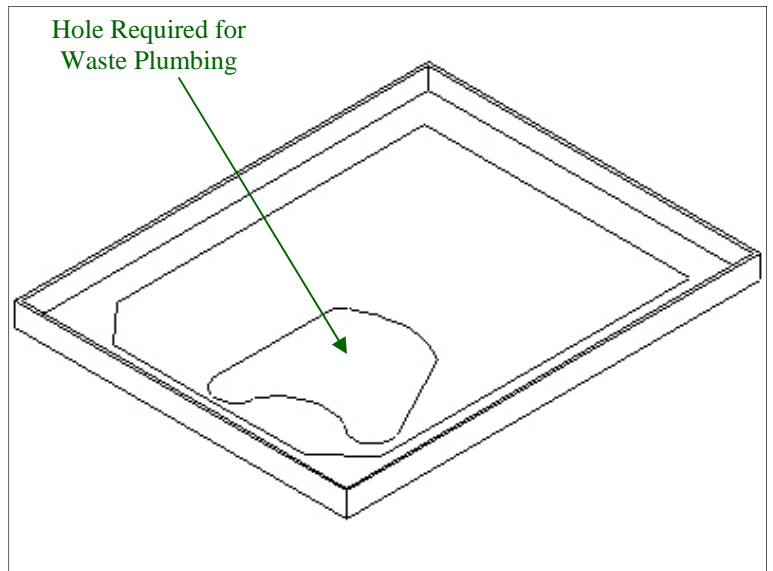


Front Drain Assembly - Exploded View



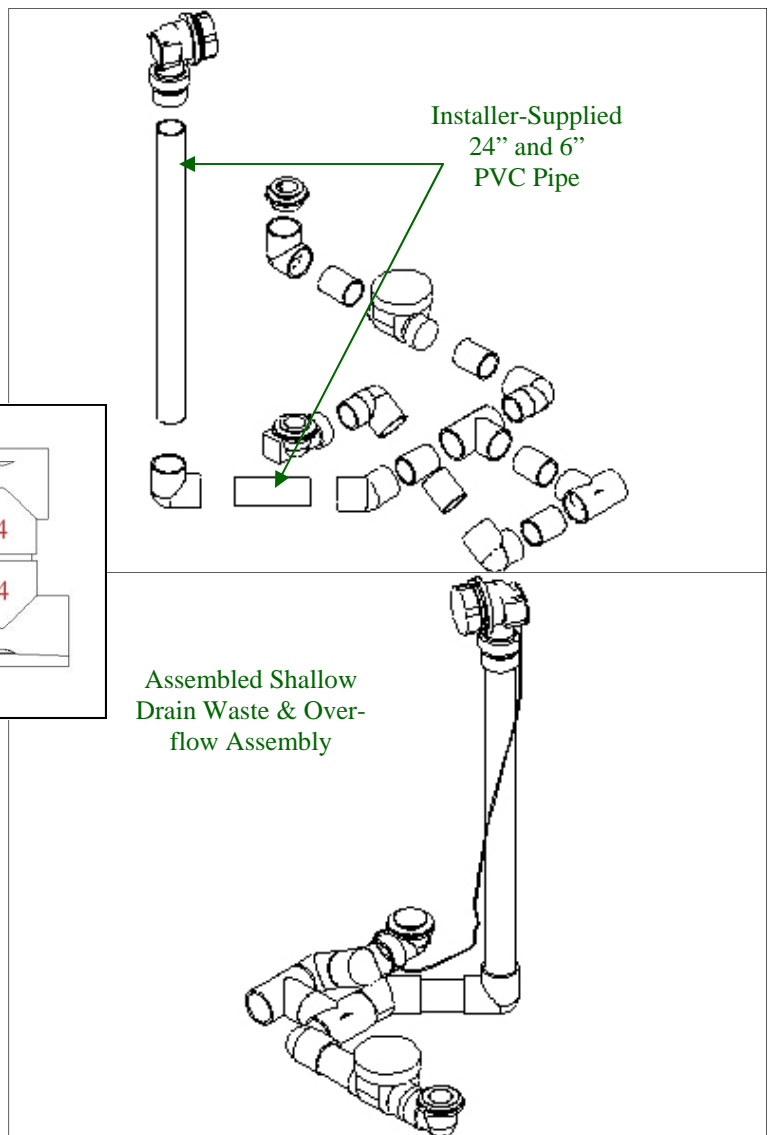
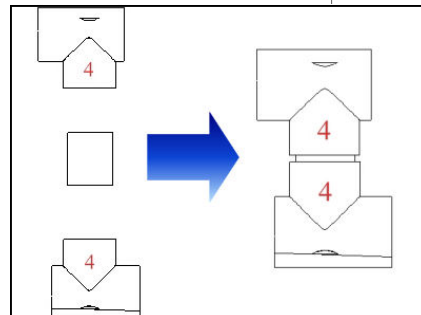
Shallow Drain Kit

2. The floor template is drawn on the shipping box bottom. Cut the template out using a utility knife and lay on the floor in the proposed location of the Safety Bath. Using the template, mark out the bathtub location on the floor. Also mark the location of the hole in the floor required for the waste & overflow plumbing.



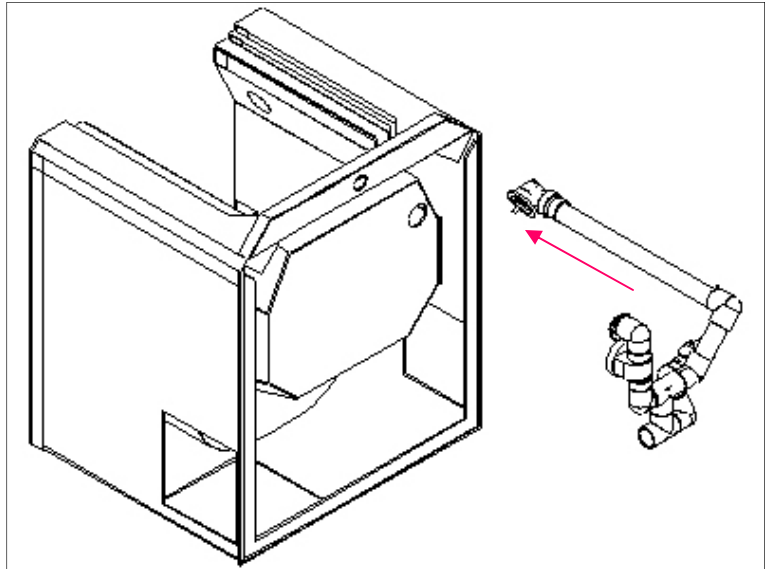
3. If this bathtub is replacing an old bathtub, we highly recommend cleaning the old drain plumbing with a snake or similar tool to ensure drain is clear, since debris may fall into drain while old tub is removed.

4. You will require two pieces of 1 1/2" PVC pipe for main drain & overflow assembly. Cut one piece at 24" in length, and the other at 6" in length. Assemble the waste & overflow assembly, **but do not glue anything together yet**. Note that the shallow drain kit components are numbered for easy assembly.

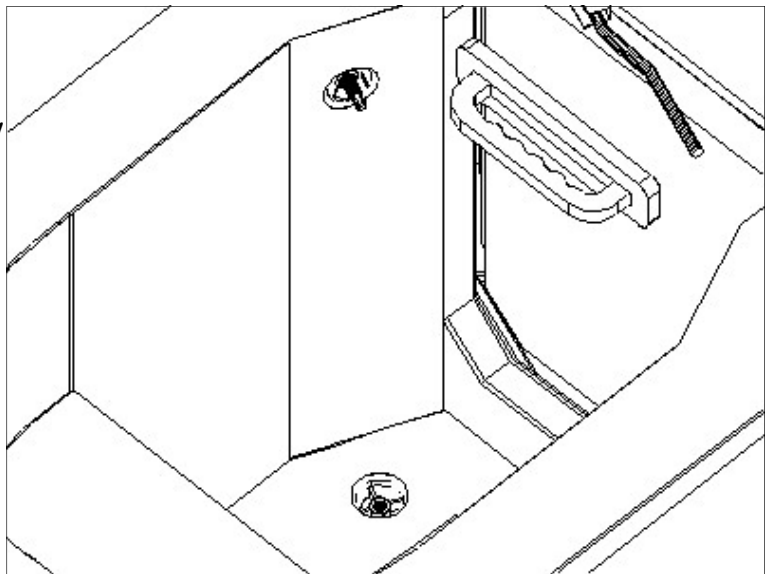


5. Trial-fit the assembly in the bathtub. Lay a blanket or soft drop cloth on the floor and lay the bathtub on its back. Slide the waste & overflow assembly into place. Rotate the shallow drain kit components until a satisfactory fit is attained. Once the fit is confirmed, mark the pieces for alignment, disassemble, and cement together with PVC cement. Use of an appropriate PVC primer will provide better adhesion with less likelihood of leaks in the future.

(Door and hinges shown removed for illustrative purposes)

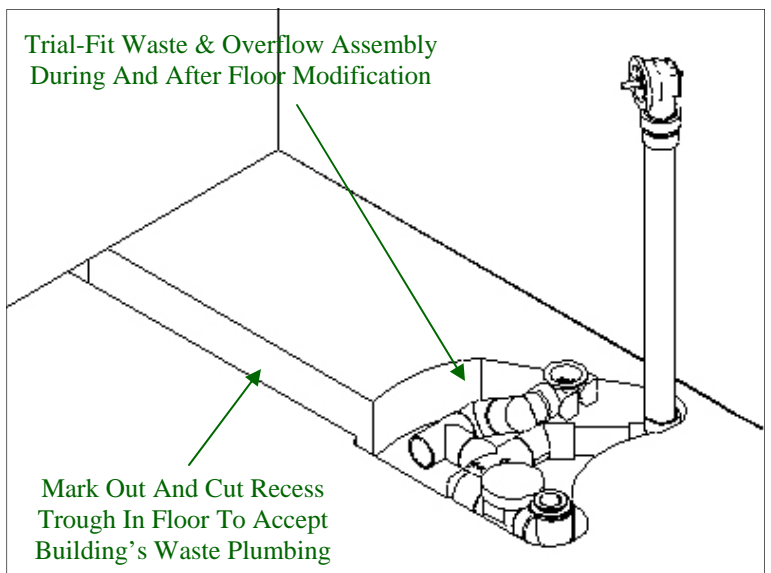


The installed waste and overflow assembly should align something like this...



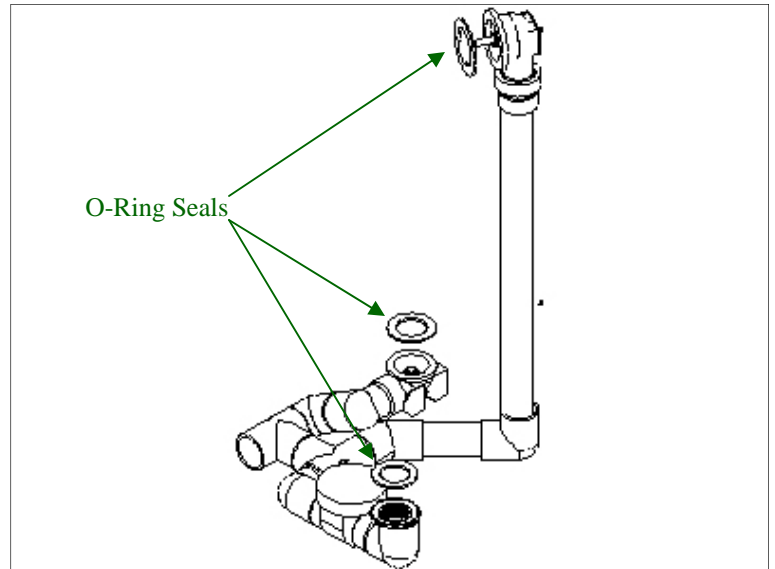
6. If installing your Safety Bath on a concrete slab, be sure that no in-floor heating will be damaged while cutting. Using the outline traced on the floor in step 2, cut a recess in the floor to about 4 1/2" deep to accept the waste plumbing. Depending on your application, you will likely need to recess the concrete floor as well from the waste & overflow assembly to the building's drain system.

***** If concrete modification is not possible or not desired, consider using Safety Bath's optional Serenity Platform.**

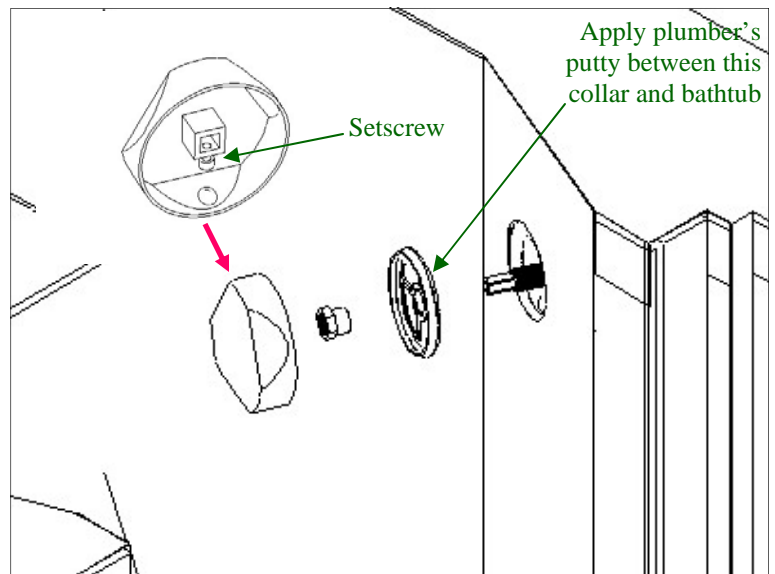


⇒ **Refer to appendix C for Serenity Platform Installation Details**

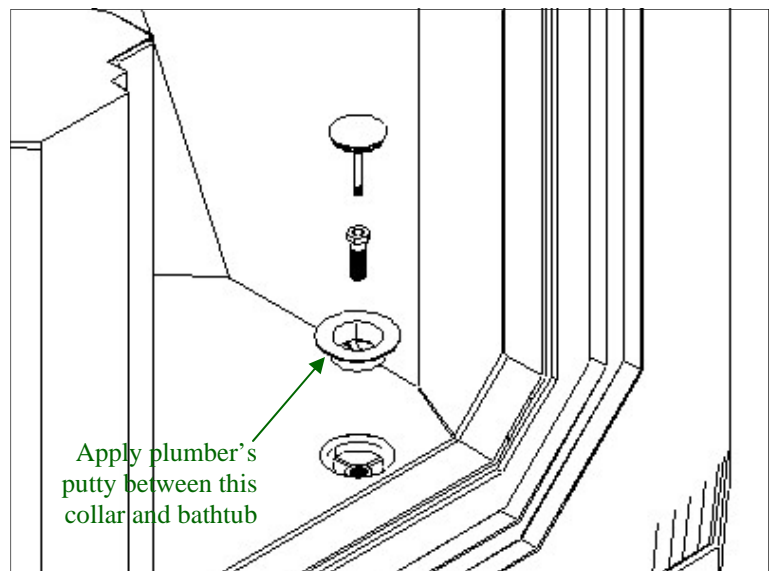
7. With the waste & overflow components assembled and glued together, install the o-ring seals on the drain actuator housing, main drain housing, and front drain housing. Use petroleum jelly or equivalent to hold seals in place while positioning. Slide the assembly into position once again. Re-check for alignment at the drain actuator hole, main drain hole, and front drain hole.



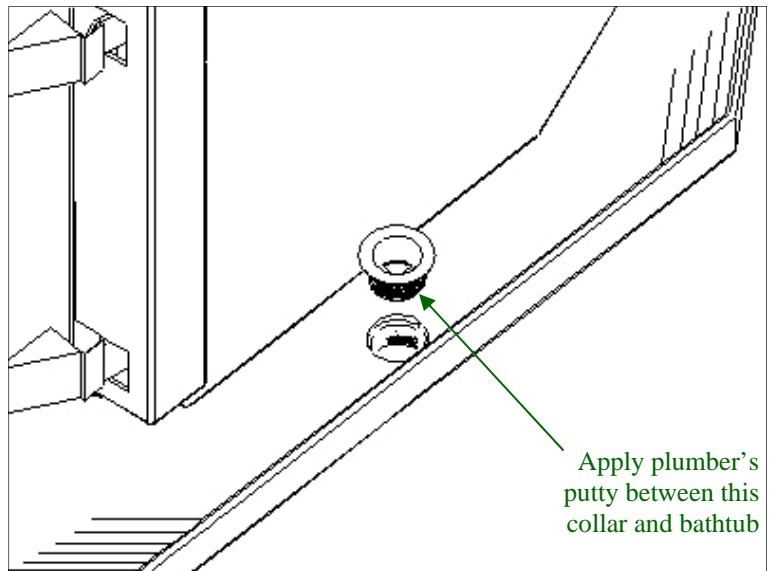
8. Install collar and through-bolt onto drain actuator shaft. Apply plumber's putty between collar and bathtub to ensure a perfect seal. Using a hex head wrench ("allen wrench"), install the set screw into the boss on the backside of the drain knob. Slide the drain knob over the actuator shaft and tighten set screw to secure in position.



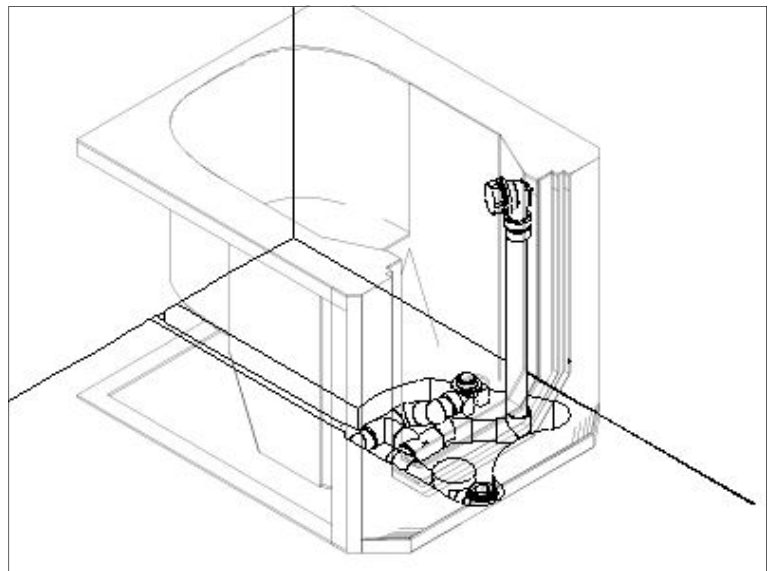
9. Using the through-bolt, secure collar onto main drain housing. **SNUG, BUT DO NOT OVERTIGHTEN.** Once again, using plumber's putty between collar and bathtub will give added protection against leaks. Over-tightening the through-bolt will distort the machined boss in the through-bolt, causing the pop-up valve to bind. Insert the pop-up valve through the machined boss in the through bolt. Note the adjusting screw on the end of the pop-up valve. This provides adjustment for the drain should it not seal completely, or not open fully.



10. Install front drain collar, once again applying plumber's putty between the bathtub and the collar.

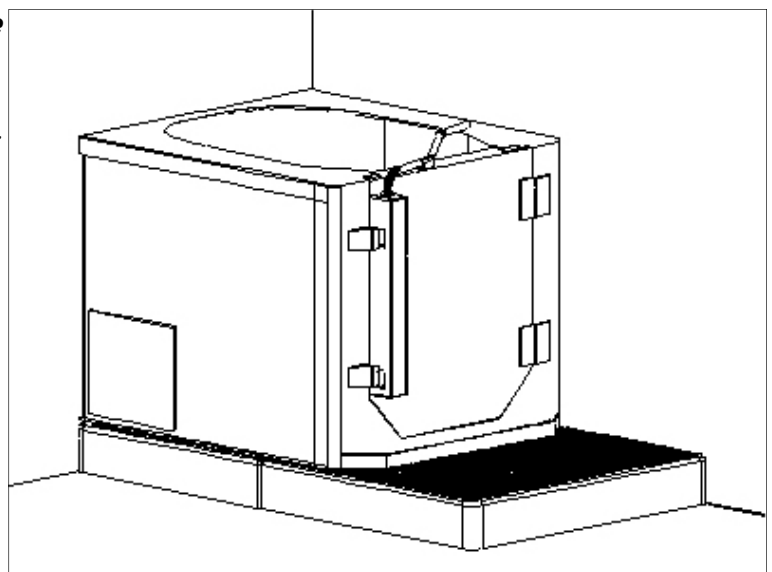


11. Carefully lift or slide the bathtub into position. The complete waste & overflow plumbing should look like the illustration, right, on a concrete slab application. You may want to check, at this point, whether the bathtub is level in both directions. If not, use shims to make it level.



12. **REMEMBER...** If installing on a concrete slab or wood floor with in-floor heating, or if you simply would rather not modify the building's existing floor, please consider using Safety Bath's optional Serenity Platform. Call your Safety Bath dealer for more information on this product.

⇒ Refer to appendix C for Serenity Platform Installation Details



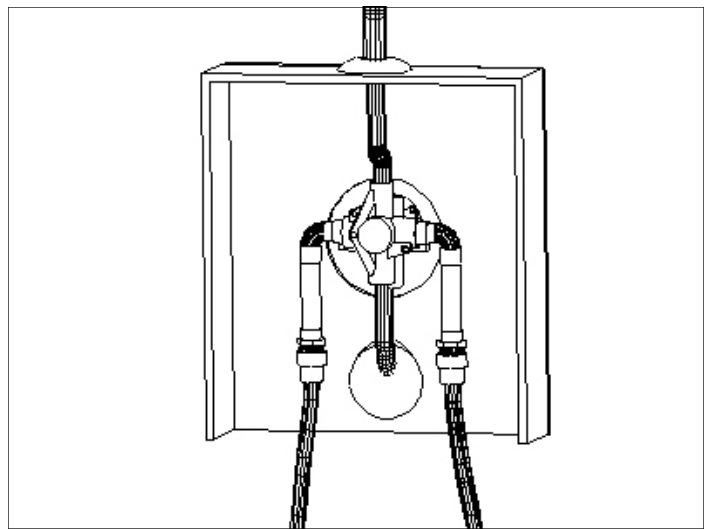
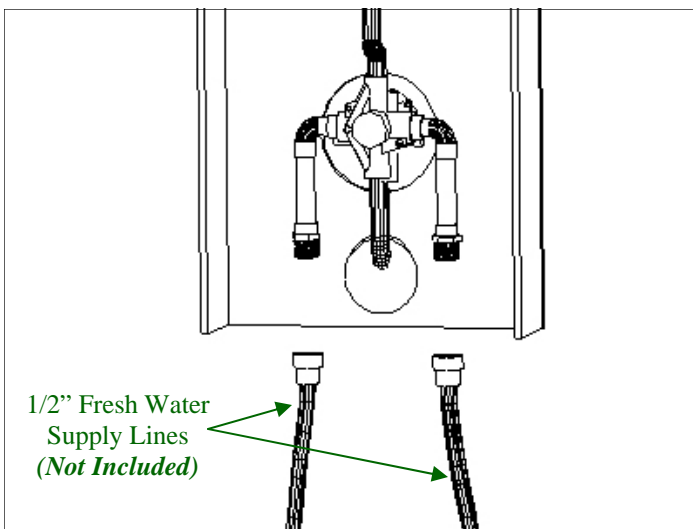
D. Water Supply Lines & Pre-Plumbed Moen Faucet Panel Installation

With Optional Pre-Plumbed Moen Faucet Panel Only

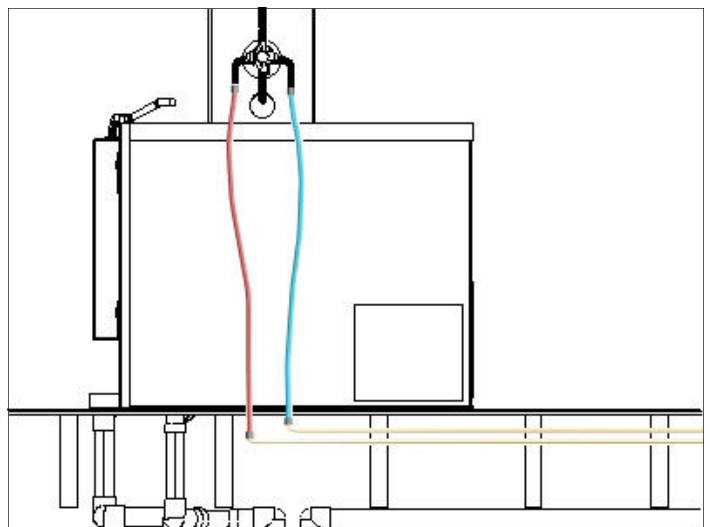
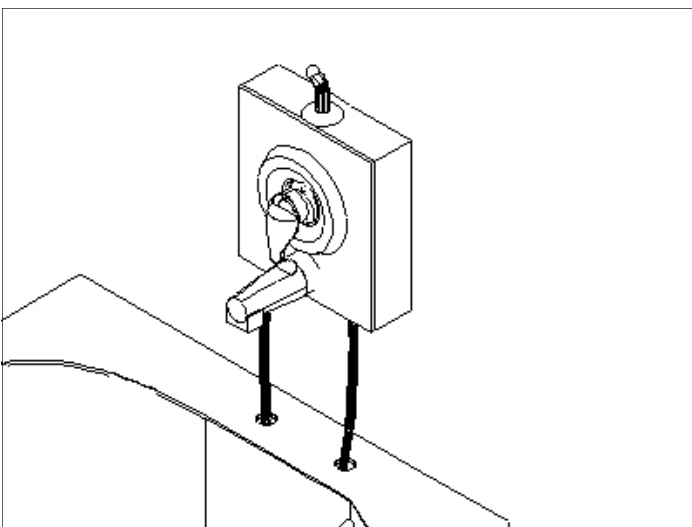
Now that the waste and overflow system is plumbed, it's time to connect the water supply lines and install the optional faucet panel, if your Safety bath was so ordered.

1. Two plastic feed lines (not included) are required to complete this step.
2. Drill two 2" holes in the floor from under the bathtub to run the supply lines through. Drilling these holes directly below the factory-drilled holes in the top of the bathtub will make this step easier. If drilling through the floor is not possible or desired, the water supply lines may simply be under the bathtub or through one of the access holes in the back or side of the bathtub.

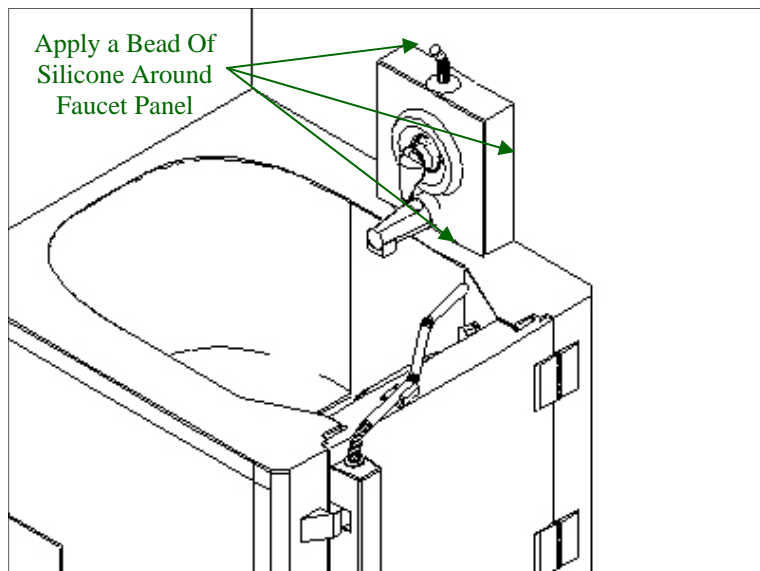
***** Always refer to plumbing code when making connections. All fresh water lines must have accessible shutoff valves in case of a leak.**



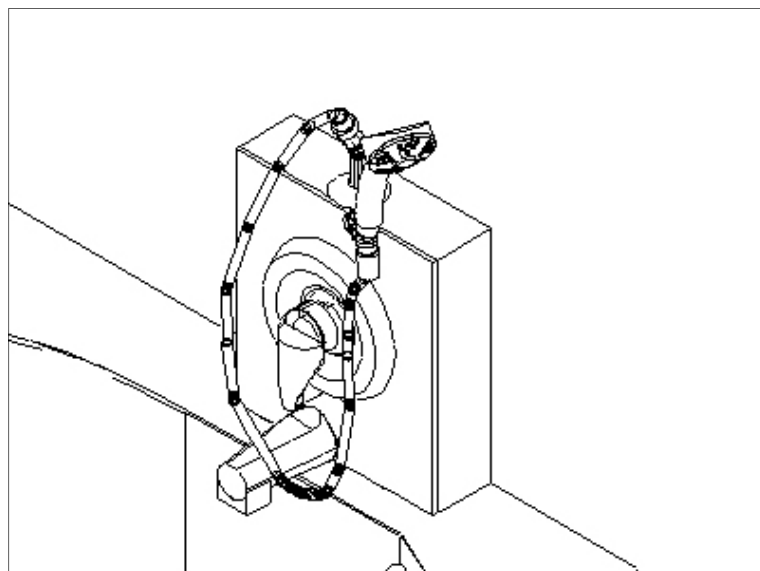
3. Attach the two plastic feed lines to the tap and shower unit. You may want to mark the ends of the hoses with "HOT" and "COLD" for identification. Tighten securely. Drop the two feed lines through the two factory-drilled holes in the bathtub, and through the two 2" holes drilled in the floor. You will probably have to have someone underneath to assist you with this step. Finally, connect these two feed lines to the building's water supply lines. Be sure to connect the lines correctly (hot and cold).



4. Set the tap & shower unit in place on top of the bathtub and against the wall. Run a bead of silicone along each mating joint to protect against any water leaking in behind the unit, as well as to secure the tap & shower unit in place.



5. Connect the shower head and hose assembly to the threaded nipple on top of the faucet assembly and tighten securely.



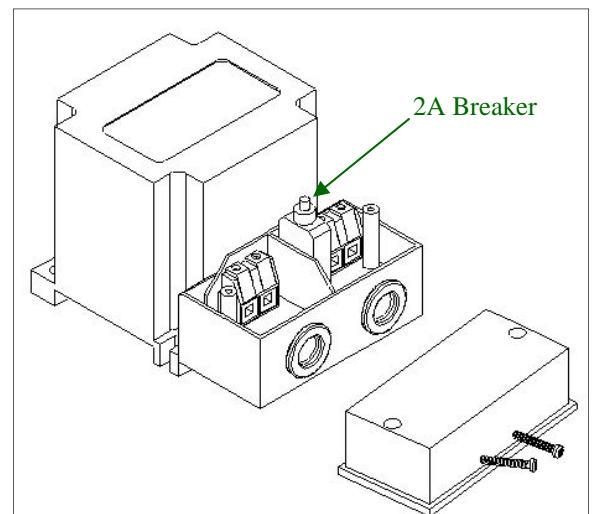
E. Finishing And Testing

With the Safety Bath installed, it's time to put the finishing touches on your new bathing system.

1. Make electrical connections for the heated seat and/or hydrotherapy system at this point. During electrical rough-in, junction box(es) and new GFCI electrical circuit(s) were installed under the tub to provide for connections to the building's electrical system. ***Be sure the breaker(s) are off before working with these circuits.*** Make these connections at this point.

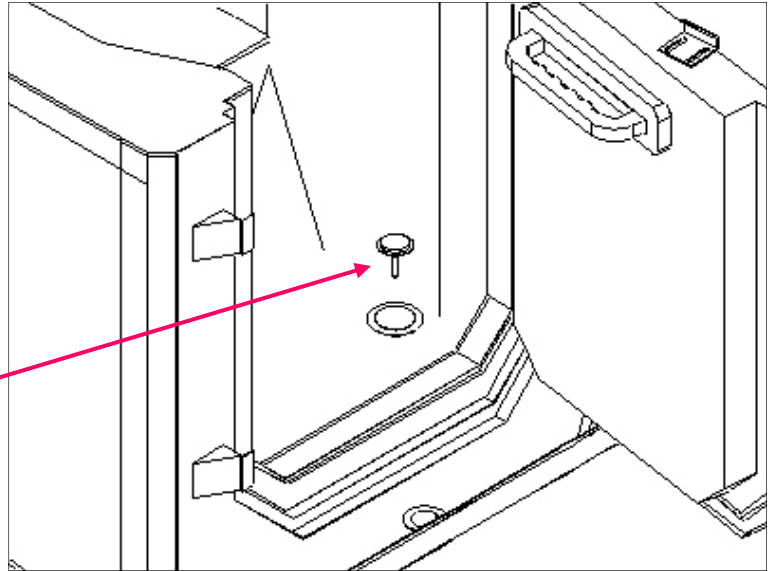
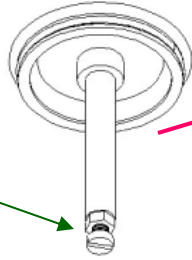
****** Refer to local, state, and federal electrical code when performing any electrical work. Electrical connections must be made by a licensed electrician.***

2. Energize electrical circuits by turning on the breaker(s).
3. It's time to test your installation:
 - ⇒ Turn on the installed water shutoff valves and check for any leaks in the fresh water supply lines.
 - ⇒ Close the bathtub door and latch it. Open the water faucet and allow water to run down into the main drain for a minute or so. Having someone underneath during this process will quickly identify any water leaks in the plumbing.
 - ⇒ Close the main drain by turning the drain actuator knob counter-clockwise. Allow the bathtub to fill with water to within 6 inches or so of the overflow (which is built in to the drain actuator assembly), making sure the water is at least 2" above the top of the highest jets (if equipped). Check for leaks around door seals, and from under the bathtub.
 - ⇒ *If your Safety Bath is equipped with a hydrotherapy system, please refer to page 29 for system functionality and testing.*
 - ⇒ Drain the water. Turn the drain actuator knob clockwise. Once again, check for leaks in the drain pipe system. Also check for bubbling or gurgling from the main drain. Such bubbling may be caused by poor venting of the drain system. If you are utilizing a shallow drain hookup and there is bubbling from the front drain, or water is backing up into the front drain, this may be an indicator that the one-way valve installed between the front drain and the main drain is installed incorrectly, or was not installed at all.
 - ⇒ Test the seat warmer, if equipped. Your installer or electrician has installed a 30-minute timer switch in a convenient location, probably somewhere near the room's light switch. Turn the timer switch on and set for 15 minutes. Within 5 to 10 minutes, the seating surface of the bathtub will begin to feel warm to the touch. ***Be sure the padded booster seat is not installed, or you will not feel any warmth from the seat.*** Turn the timer switch off. If the seat warmer doesn't get warm, make sure the breaker has been turned on. Also, check to be sure the 2A breaker in the bathtub's seat warmer transformer (pictured, right) has not been tripped. If so, reset it.



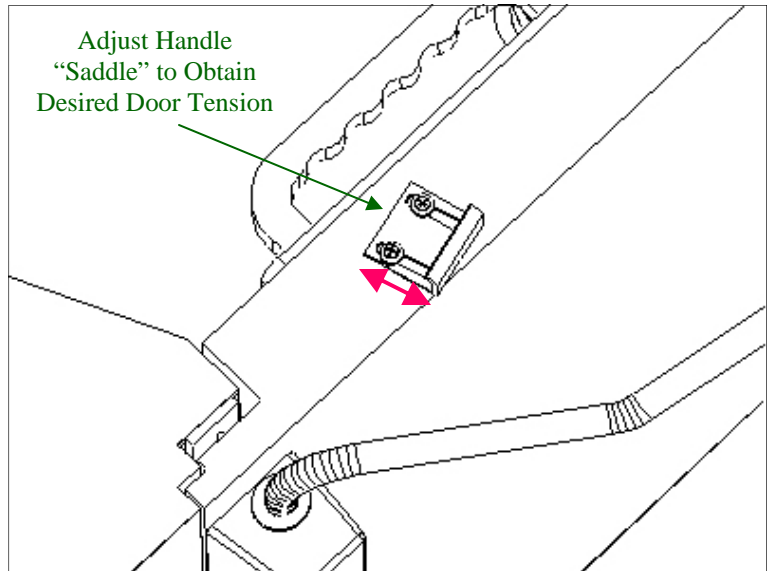
4. If the water drains slowly from the bathtub, or the main drain does not completely close, adjustment can be made via threaded adjusting screw on the bottom of the pop-up valve.

Main Drain Pop-Up
Valve Adjustment
Screw



5. If the door does not seal completely, or the door handle is excessively difficult to pull closed, adjustment may be made by moving the door handle saddle as in illustration, right.

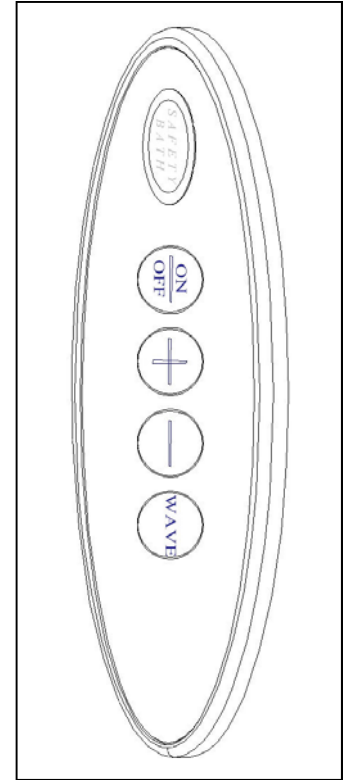
Adjust Handle
"Saddle" to Obtain
Desired Door Tension



6. Testing of your Safety Bath's optional Hydrotherapy System (if equipped):

a) With 12-Jet Warm Air Massage System:

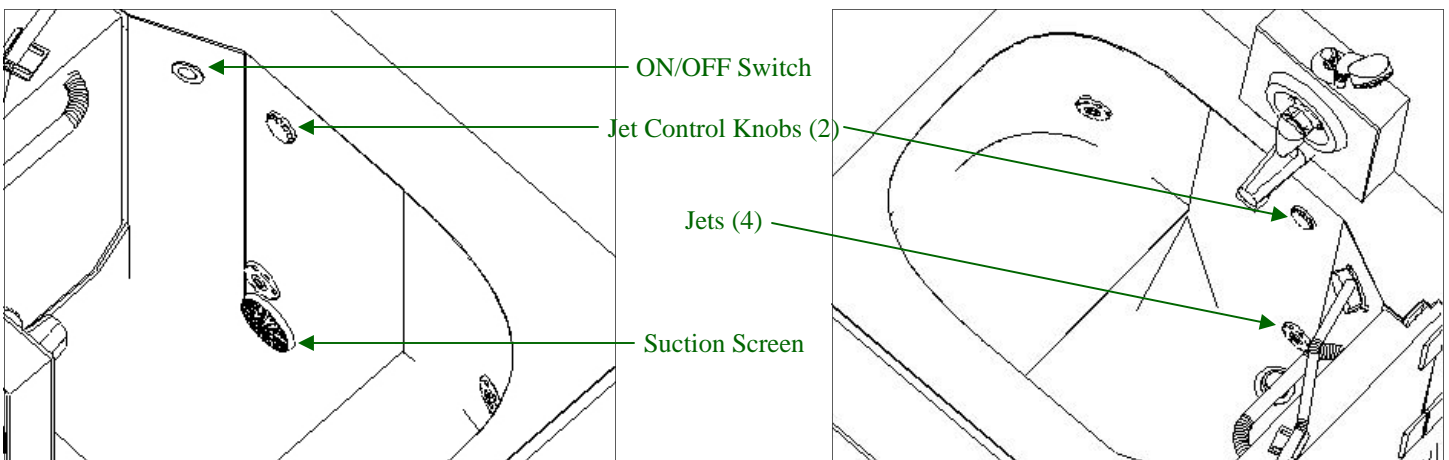
- ⇒ Turn on the Warm Air Massage hydrotherapy system by pressing the **OFF/ON** button once.
- ⇒ Press and hold the **-** button. This will decrease the blower's speed, decreasing the airflow through the jets.
- ⇒ Press and hold the **+** button. This will increase the blower's speed, increasing the airflow through the jets.
- ⇒ Test the pulse cycle. Press the **WAVE** button once. The blower should pulse on and off on a slow cycle. The LED will turn on. Press the **WAVE** button again, and the blower pulses on a fast cycle, and the LED flashes. Press the **WAVE** button a third time, and the pulse cycle cancels (turns off).
- ⇒ While the hydrotherapy system is running, listen for hissing noise, which may indicate a cracked or disconnected air line. Check for water seeping from under the bathtub, indicating a damaged jet seal. Make sure all 12 jets are moving air.
- ⇒ Turn the hydrotherapy system off by pressing the **ON/OFF** button once.



Warm Air Massage Control Touchpad

b) With 4-Jet "Whirlpool" System:

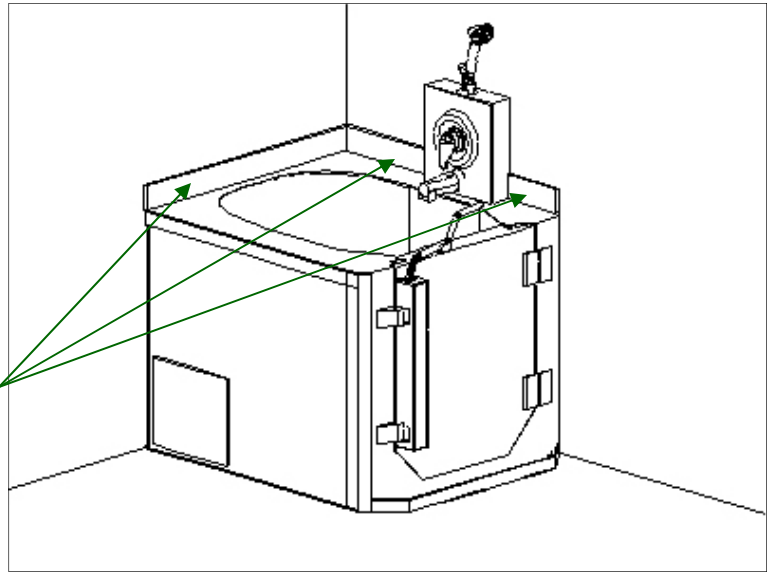
- ⇒ Turn on the hydrotherapy system by pressing the pneumatic ON/OFF button once.
- ⇒ Use the left jet control knob to adjust the aggressiveness of the bottom 2 jets.
- ⇒ Use the right jet control knob to adjust the aggressiveness of the top 2 jets.
- ⇒ Be sure nothing is blocking the suction screen near the bottom of the bathtub.
- ⇒ Make sure water is flowing from all 4 hydrotherapy jets.
- ⇒ While the hydrotherapy system is running, check for water seepage from under the bathtub, indicating a damaged line or jet seal.



7. Check once again for level and plumb. Set a level on the top of the bathtub in both directions to be sure the bathtub is level. If not, use shims to make it so. Run a bead of color-matching silicone around all edges of the Safety Bath which meet a wall or floor.

8. Safety Bath includes a 2-piece trim board kit to give your Serenity or Stretch a finished look. These boards may need to be cut to fit, and will need to be cut to accommodate the optional Moen faucet panel, if so equipped. Run a bead of silicone around the edges of the trim boards for a finished appearance.

Trim Board Kit
(cut to fit)



Your Safety Bath Installation Is Complete!

Enjoying Your Safety Bath



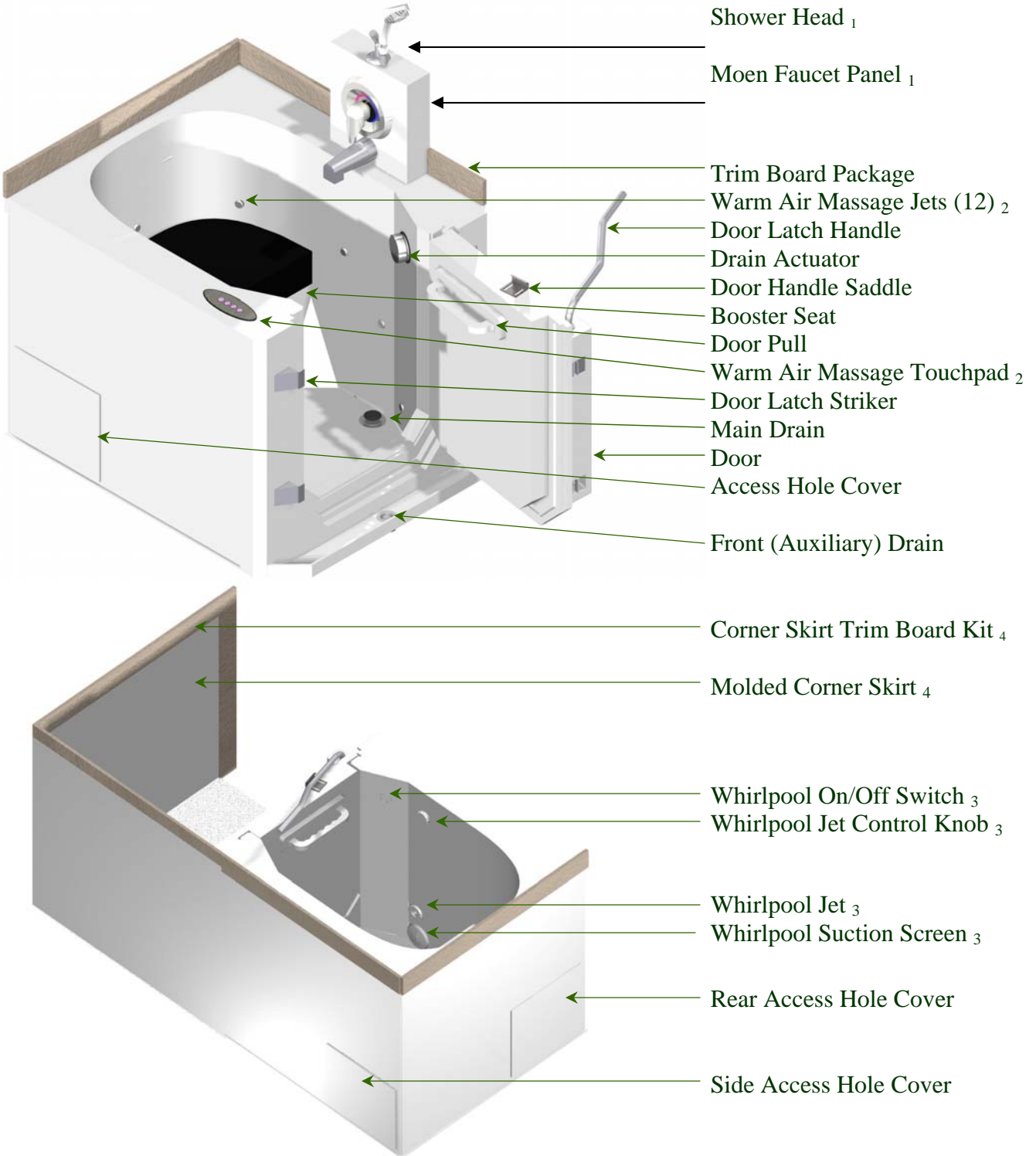
•
•
•

Now that your new Safety Bath has been installed and tested, it's time to experience the ease of use, and enjoy the benefits of owning a Safety Bath.

Getting To Know Your Safety Bath

Your new Safety Bath Serenity or Stretch bathtub has been designed and built for years of trouble-free service. It features the lowest step-up height in the industry, and boasts ease of entry and exit because of its outward-swinging door.

Let's see some of the features of your bathtub:



₁ With optional pre-plumbed Moen Faucet Panel package

₂ With optional Warm Air Massage hydrotherapy system

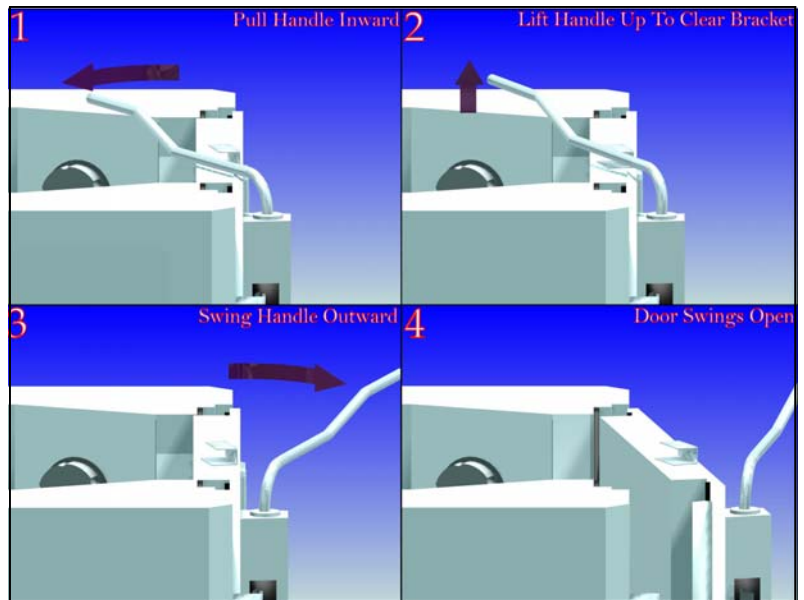
₃ With optional 4-Jet Whirlpool hydrotherapy system

₄ With optional Molded Corner Skirt package

Opening The Bathtub Door

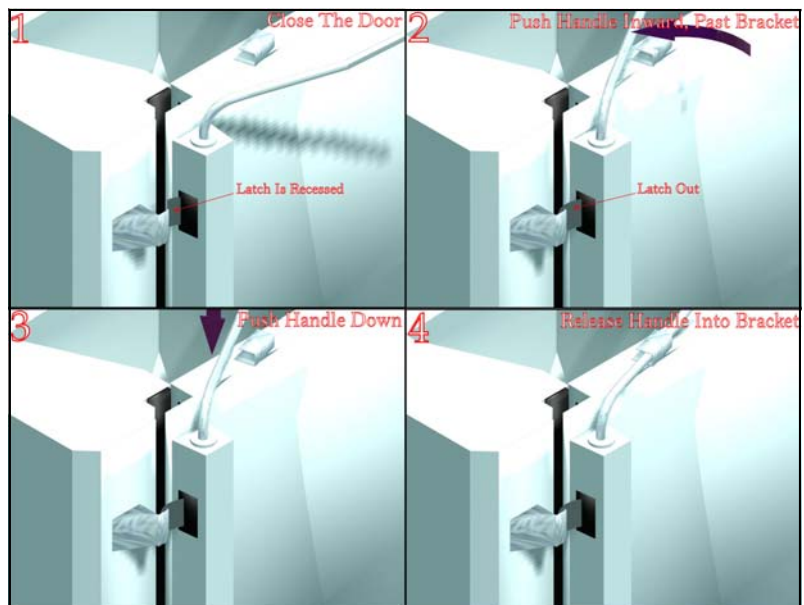
With the bath still empty, and the door closed, open the door by releasing the handle from its bracket. Refer to the illustration.

1. Gently push handle inwards, towards the middle of the bathtub.
2. Lift the handle straight up slightly.
3. Release the handle by pulling outwards, toward yourself.
4. The handle should now be fully disengaged, the latches released, and the door should open freely.



Closing The Bathtub Door

1. Swing handle outwards so 2 door latches retract into the door assembly. Shut the door
2. Pull the handle inwards, toward the middle of the bathtub.
3. Pull handle just past the handle bracket. You may need to lift up on the handle slightly to clear the bracket.
4. Release pressure on the handle, and allow handle to rest in its bracket on the door. The door should now be closed tightly.



IMPORTANT

Safety Bath recommends leaving the bathtub door open after each use. This will allow the door seal, and the bathtub area between the door and tub, to dry completely.

The Booster Seat

Booster Seats are available for the standard Safety Bath 4" in height to provide easier seating for taller people. Their easy snap-in installation means they can be placed in the bathtub when needed, and easily removed for tub cleaning, or to allow someone with different needs to use the bathtub as well.

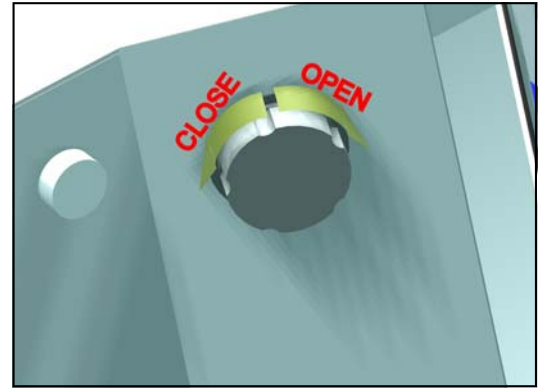
Please note: The Stretch version of Safety Bath has a built-in raised seat, so no booster seat is required.



Filling And Draining Your Safety Bath

If your Safety Bath is equipped with the optional Pre-Plumbed Faucet Panel, a high-quality tap fixture with scald guard is installed in the faucet panel. Filling your new bathtub is no different than filling a standard bathtub.

1. Once seated in your bath, close and latch the door.
2. Close the pop-up main drain by turning the drain actuator counter-clockwise.
3. Open the water valve on the tap fixture.
4. Adjust water temperature on the scald-guard tap.
5. To drain the water, **be sure the hydrotherapy system (if equipped) is turned off**, and rotate the drain knob clockwise to open the pop-up drain valve.



Pre-Warming Your Safety Bath

Your Safety Bath may have been ordered with an optional, integral seat warmer so you don't have to get into a cold bathtub.

1. Your installer/electrician has installed a 30-minute timer control on the wall in a convenient location.
2. Turning on the timer turns on the seat warmer. Since it is thermostatically-controlled, there is no danger of the seat warmer over-heating.
3. The timer will automatically shut off the warmer. You can get in the bathtub during or after this process is complete. The bathtub can also be filled with water while the heater is on and the user is seated.



Safety Bath With Optional 12-Jet Warm Air Massage System

Description

Safety Bath's optional Warm Air Massage Hydrotherapy System allows for hygienic bathing for multiple users. By utilizing air, rather than water, in the jet system, our Warm Air Massage System provides deep, relaxing hydro therapy without the sanitary risks of a standard water recirculation jet system.

Air, Rather Than Water...

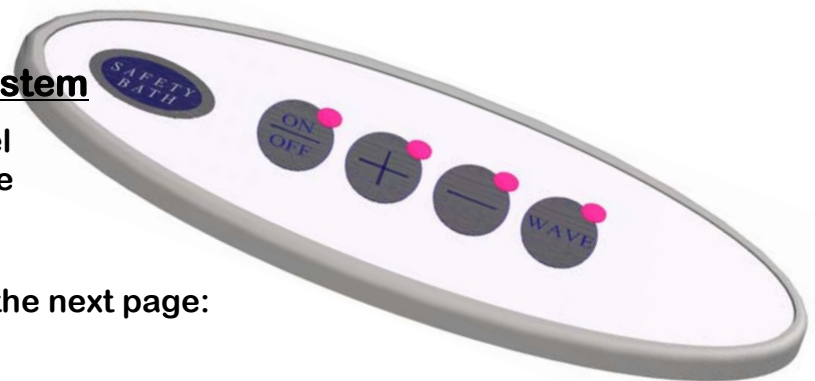
Air massage, also known as balneotherapy, is the use of air mixed with water to gently but efficiently massage the body. Its soothing and pain relieving virtues were already recognized by the Romans many years ago. But, unlike the Romans who could only afford the pleasures of a relaxing in an invigorating bath every now and then, the technology incorporated into your Safety Bath with Warm Air Massage System allows you to enjoy the benefits of balneotherapy every day in your own bathroom.

Your new massage system provides you with a gentle, overall massage. The massage effect is obtained by injecting warm air through air jets into the bathwater. After having cleaned the bath from all installation debris and dirt, fill with water at normal bathing water level i.e. maximum 2" below the overflow when bather is sitting in the bathtub. Never fill the bath with water above the overflow level.

When filling your bath make sure that water temperature does not exceed 70°C (158°F). The use of water that is too hot might shorten the lifetime of the o-rings and gaskets of the air jets.

Controlling The Warm Air Massage System

The Warm Air Massage system control panel (pictured, right) gives you total control of the 12 air jets at your finger tip.



The 4 buttons are described below, and on the next page:



ON/OFF

- ◆ Press once to turn the jets' air blower ON at maximum speed. The LED turns ON.
- ◆ Press again to turn the jets' air blower OFF. The LED turns OFF.



BLOWER SPEED INCREASE

- ◆ Press and hold to increase the jets' air blower speed. The LED is ON while button is pushed.
- ◆ Release pressure at the desired speed.



BLOWER SPEED DECREASE

- ◆ Press and hold to decrease the jets' air blower speed. The LED is ON while button is pushed.
- ◆ Release pressure at the desired speed.



BLOWER PULSE

- ◆ Pressing this button once pulses the jets' air blower on slow cycle. The LED turns ON.
- ◆ Pressing the button a second time pulses the blower on fast cycle. The LED FLASHES.
- ◆ Pressing the button a third time turns the blower pulsation cycle OFF. The LED turns OFF.

Care And Maintenance Of Your Warm Air Massage Hydrotherapy System

1. Your Safety Bath with Warm Air Massage System is quality built and individually tested before shipping. The blower motor is lubricated for life. As a result, your Safety Bath should require no mechanical maintenance. In the event that maintenance is necessary, consult a licensed, reputable service technician to perform any service that is required. Safety Bath recommends using the trades people who installed your bath, whether it be the plumber or electrician. Access to the motor and jet system can be made through the access hole cut in the floor at time of installation.
2. A light stain (cigarette, for example), a small scratch, or a permanently dulled area can be restored by polishing with an automotive rubbing or polishing compound followed by a couple of coats of paste wax. **DO NOT** use rubbing or polishing compounds on any part of the bath which is not in need of repair.
3. Regular Cleaning:
 - i) After each use, remove the booster seat (if used) and rinse all exposed surfaces of the bathtub with clean warm water, then wipe off all standing water until completely dry. Leave the booster seat out of the bathtub to dry.
 - ii) Once a week, wash all exposed surfaces of the bathtub with a mild solution, such as a non-abrasive liquid or gel tub cleaner. **DO NOT** use rubbing or polishing compounds on any part of the bathtub.
 - iii) To preserve the finish, waxing the bath is recommended. Regular use of a quality *marine wax* will maintain the finish of your bath. **BE CAREFUL** not to get wax into the small holes in the air jets. If a jet does become contaminated with wax, a soft toothbrush may be used to clear the holes. After the tub is put back into service, the jet system should purge any contaminants from the jets. If the jet shows signs of blockage, fill bathtub with warm water, then switch system ON and OFF several times. The air outlets should be cleared. If this is not sufficient, carefully tap on the \ jet heads with the handle of a screw driver or a similar tool (plastic) while the blower is running.

Safety Instructions And User Precautions

****REFER TO PAGE 3 FOR MORE INFORMATION**

1. Never run the Warm Air Massage system when the water level in the bath is less than 2" above the highest level jet outlet.
2. Should you become drowsy or fatigued, *leave the bathtub immediately.*
3. Do not use bubble baths or similar products with the whirlpool as the foaming action is greatly increased, and will produce an overflow into the bathroom. Do not use the whirlpool after taking medication that produces drowsiness. Do not consume alcohol before using the whirlpool system.
4. Never leave a small child, invalid or intoxicated person unattended in the bath tub.
5. Anyone who has a respiratory, circulatory, or blood pressure problem, or who is pregnant or under medical care, should consult their physician on the use of their Safety Bath.
6. Using the blower for too long a period at too high water temperature will cause a tiring effect.
7. When you first begin to use your luxury bath unit, set the blower duration at five minutes maximum. Regulate the water temperature to a moderately warm level. These levels can be later increased for additional massaging effects. Your physiological response to a hot massage bath depends on your age, health and medical history. If you develop a headache or become dizzy or nauseous, get out at once and cool off under the shower. Get medical help if the symptoms persist.

Troubleshooting

1. Blower fails to operate:

- a) Verify that electronic touch control is connected properly.
- b) Check electric power supply. Reset circuit breaker or replace fuse if necessary.
- c) Check ground fault circuit interrupter. Reset if tripped.
- d) If the system has been functioning for quite some time, it is possible that the thermal protection has shut off the motor. Let it cool off for at least 30 minutes before using it again.



2. Motor runs, but no air comes through the jets:

- a) Verify that the main air hose from manifold to blower is properly connected. If necessary, reconnect and tighten clamps.

3. Air outlets of jet heads are obstructed:

- a) If the air outlets of a jet head are obstructed by soap or other residues, fill bathtub with warm water, then switch system ON and OFF several times. The air outlets should be cleared, if this is not sufficient, carefully tap on the jet heads with the handle of a screw driver or a similar tool (plastic) while the blower is running.

4. The air heater seems not to work:

- a) To verify the operation of the air heater, fill the bathtub to working level and operate blower on high for approximately 5 minutes. Carefully feel the flexible connection hose where it connects to the blower. The hose and its immediate area should feel warm to the touch. If not, contact your local Safety Bath dealer.
- b) If your bathtub is installed against two outside walls, it is recommended to ensure adequate insulation for these outside walls to minimize heat loss.
- c) Skin sensitive people might experience the so-called "cold air effect" which is caused by the sensation of air bubbles running along the wet skin and providing the bather with a shivering sensation. Just move your body slightly away from the closest jet to stop the sensation of cold air. (NOTE: Even if the outgoing air would be hot enough to burn the skin, this shivering effect would still persist.)

Note: The air heater is not designed to heat your bath water, just to preheat the incoming air to body temperature.

Safety Bath With Optional 4-Jet Whirlpool Hydro Therapy System

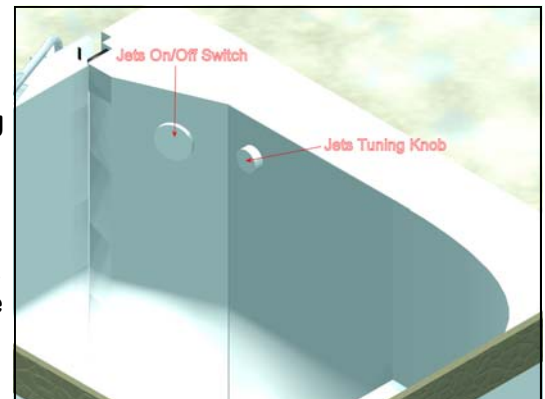
Operation Of Your Safety Bath Whirlpool Hydrotherapy System

1. The Whirlpool System operates by drawing water from the bathtub through a screened suction inlet by means of a powerful pump, which then circulates the water back into the bathtub through the four specially designed jets. This produces a soothing, massaging effect which is further enhanced if the water coming through the jets is combined with air. This is accomplished by opening the two air control knobs counter-clockwise. The left knob controls the two bottom jets, while the right knob controls the top two jets. The further the knobs are opened, the more air is combined with the water. Note that the air is not circulated through the pump, which can only pump water, but is sucked through the air control knob, into the jets, purely by the action of the water passing through the jets. This means, of course, that if the pump is not running, no air can be introduced into the bathtub.
2. The warm water massage produces a very relaxing effect which increases with water temperature and time in the bathtub. This can easily be overdone, however, creating a dangerously tiring effect, drowsiness, and possible personal harm. Therefore, at the outset, use the massaging jets for no longer than 10 minutes, and make sure the bath water is not too hot. Both these levels can be increased gradually.
3. Note that unless the bathtub is equipped with the optional seat warmer, it does not have a heater of its own, so water temperature is controlled solely by the temperature of the water poured into the bathtub. Once the bathtub has been filled, the whirlpool's pump requires no additional water. If additional water is added to the bathtub, the excess water will simply overflow into the drain without any effect on the pump and the recirculation of the water in the bathtub. The pump and jet system are self-draining, and require no further attention after draining the bathtub.

Using The Hydrotherapy System

Safety Bath's optional Water Jets Hydrotherapy System is an adjustable 4-jet whirlpool system for a therapeutic and relaxing experience every bath.

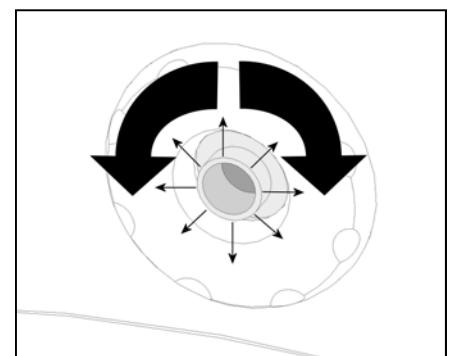
1. Make sure there is enough water in the bathtub to cover all 4 jets with at least 2" of water.
2. To turn on the massaging jets, push the On/Off switch once.
3. To adjust the amount of airflow through the jets, and to tune the aggressiveness of the jets, turn one of the Jet Tuning Knobs in either direction. The left knob is used to adjust the bottom 2 jets, while the right knob adjusts the top 2 jets.
4. Each jet can be individually adjusted to point in the desired direction.
5. To Turn off the jet system, press the On/Off switch again.



Adjusting The Jets

Each of Safety Bath's quality hydro therapy jets can be directionally adjusted for maximum comfort and effectiveness. In addition, each jet can be turned on or off.

1. To directionally adjust a jet, simply rotate the inner portion of the jet to the desired direction.
2. To turn a jet on or off, rotate the jet's outer bezel.



Safety Instructions And User Precautions

****REFER TO PAGE 3 FOR MORE INFORMATION**

1. Never run the hydrotherapy system when the water level in the bathtub is less than 2" above the highest level jet outlet.
2. Should you become drowsy or fatigued, ***leave the bathtub immediately.***
3. Do not cover the suction inlet or allow any object, like a washcloth, to cover the screen. This will block the flow of water to the pump, and can cause damage to the pump or motor.
4. Do not use bubble baths or similar products with the hydrotherapy system as the foaming action is greatly increased, and will produce an overflow into the bathroom. Also, it can leave a detergent scum in the pump, jets, and tubing, which can contaminate the water for the next bath.
5. Do not use the hydrotherapy system after taking medication that produces drowsiness. Do not consume alcohol before using the whirlpool system.
6. Never leave a small child, invalid or intoxicated person unattended in the bath tub.
7. Anyone who has a respiratory, circulatory, or blood pressure problem, or who is pregnant or under medical care, should consult their physician on the use of their Safety Bath with Whirlpool System.

Care And Maintenance Of Your Whirlpool Hydrotherapy System

1. The motor is lubricated for life and the pump and its seals are water lubricated and self-aligning. As a result, your Safety Bath should require no mechanical maintenance. In the event that maintenance is necessary, consult a licensed, reputable service technician to perform any service that is required. Safety Bath recommends using the trades people who installed your bathtub, whether it be the plumber or electrician. Access to the motor and pump can be made through the access hole cut in the floor at time of installation.
2. The complete recirculation system can be cleaned from time to time by filling the bathtub to 2" above the highest jet, adding 3 tablespoons (45ml) of AUTOMATIC dishwasher detergent, and running the jet system for about 15 minutes. Drain, refill, and rinse for another 10 minutes.
3. If it becomes difficult to adjust the jet ball in its socket, rotate complete assembly counterclockwise to unscrew it from its housing. Pull on the assembly and it will snap out of its housing; you can then get at the ball to clean it. Add a small film of petroleum jelly to lubricate and re-install.
4. A light stain (cigarette, for example), a small scratch, or a permanently dulled area can be restored by polishing with an automotive rubbing or polishing compound followed by a couple of coats of paste wax. **DO NOT** use rubbing or polishing compounds on any part of the bathtub which is not in need of repair.
5. **Regular Cleaning:**
 - i) After each use, remove the booster seat (if used) and rinse all exposed surfaces of the bathtub with clean warm water, then wipe off all standing water until completely dry. Leave the booster seat out of the bathtub to dry.
 - ii) Once a week, wash all exposed surfaces of the bath with a mild solution, such as a non-abrasive liquid or gel tub cleaner. **DO NOT** use rubbing or polishing compounds on any part of the bathtub.
 - iii) To preserve the finish, waxing the bath is recommended. Regular use of a quality *marine* wax will maintain the finish of your bathtub.
 - iv) Once a month, purge and clean the entire whirlpool system using a recommended product, which will remove body and bath oils, soap residue, and other sources that can contribute to bacterial growth in the hydro therapy system. Fill the bath with warm water to at least 2 inches above the highest jets. Add 1 cup of household Javex or similar 5 - 7% chlorine bleach. Turn on the hydro therapy jet system and let run for 15 minutes. Drain the water from the tub. Refill the bathtub again with warm water to at least 2 inches from the top jets, turn on the hydrotherapy jets again for 15 minutes to rinse out the system. Drain the bathtub then dry thoroughly with a soft, dry cloth.

TROUBLESHOOTING

1. Jet motor does not operate:

- a) Check Ground Fault Interrupter and reset if tripped. If GFCI trips again, call an electrician.
- b) Check the circuit breaker in your electrical distribution panel that controls the circuit the GFCI is on. Reset if necessary. If the breaker trips again, call an electrician.
- c) Improper or loose electrical connections. Call an electrician if suspected.
- d) Manually check rotation of motor shaft for free movement and lack of obstruction.

2. Motor cuts out:

- a) Check for loose electrical connections, etc. Call an electrician if suspected.
- b) Check for low voltage at motor, frequently caused by inadequate wiring size.
- c) Check for motor binding and overload (amperage reading).

NOTE: The pump motor is equipped with Automatic Thermal Overload Protection. Under normal conditions, the motor will *automatically shut off* before heat damage can occur. The motor will auto restart when a safe motor temperature level is reached.

3. Motor hums, but won't start:

- a) Check for binding of motor shaft.
- b) Check wire connections. Contact an electrician.
- c) Possible internal motor problem. Contact an electrician.

4. Pump won't prime, no water coming from the jets:

- a) Make sure water is at least 6" above suction inlet screen.
- b) Make sure that the suction inlet screen is completely clear.
- c) Make sure that nothing is stuck in the jets.
- d) Disconnect suction from pump and determine if pump will develop a vacuum:
 - i) If pump develops a vacuum, check for blocked suction line or air leak in suction line.
 - ii) If the pump does not develop a vacuum and pump has sufficient "priming water":
 - Tighten all bolts and unions and check any glue joints.
 - Check for proper voltage at pump.
 - Open pump and check for clogging or obstruction.

5. Low water flow from jets:

Check for:

- a) Clogged or restricted suction line.
- b) Air leak in the suction line or unions.
- c) Plugged or restricted jets.
- d) Low voltage at pump.
- e) Plugged or restricted impeller in pump.

6. Noisy pump:

Check for:

- a) Air leak in suction causing rumbling in pump.
- b) Cavitation due to restricted suction line or air leaks in suction line or unions
- c) Foreign matter in pump housing.

7. No air coming in to the jetting system:

- a) Ensure that the jet control knob is open and that nothing is blocking the air entering at the knob location.

OTHER PROBLEMS, REPAIRS, AND CONCERNS

Should you encounter other problems with your Safety Bath, please contact your neighborhood Safety Bath dealer, or our support group at:

Safety Bath Hydrotherapy Systems
Toll Free: 1-877-826-6666



Thank You For Choosing Safety Bath!

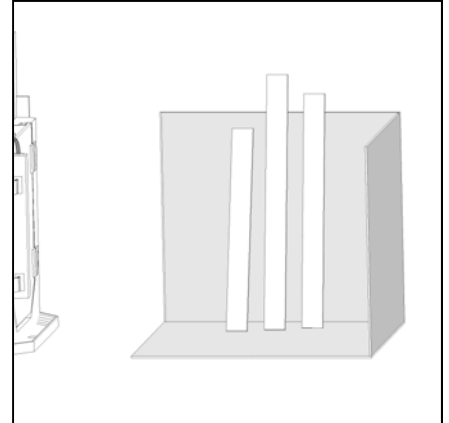
APPENDIX A -- OPTIONAL MOLDED CORNER SKIRT INSTALLATION

Safety Bath's optional Corner Skirt provides two important features:

- a) For the installer, the Molded Corner Skirt covers up unsightly damage to the walls and floor left behind after the removal of an old tub. In an installation where there was no previous tub, it completes the bathtub installation with a uniform appearance that is both durable and safe.
- b) For the Safety Bath user, the Molded Corner Skirt provides a non-slip surface, even when wet, to prevent slipping and personal injury. The corner skirt is a neat, clean finishing touch to your quality bathtub.

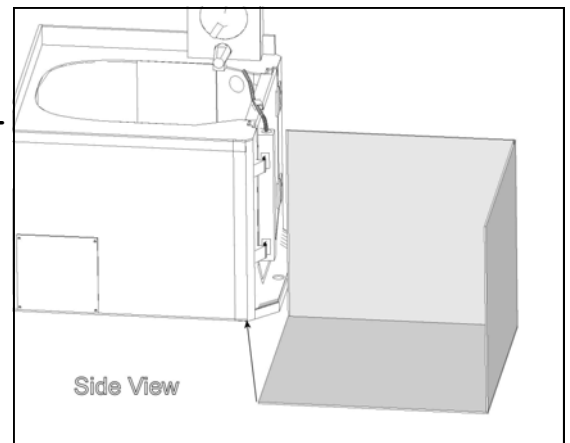
Upon unpacking of the Corner Skirt kit, you will find:

- * The finished fiberglass skirt
- * Three finishing trim boards, mitered and dadoed for correct fit



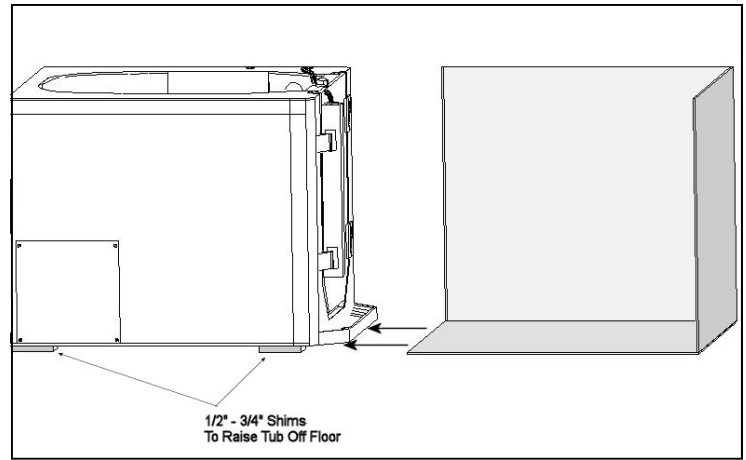
PLEASE NOTE: The installation of the Corner Skirt must be done prior to final placement of the bathtub, and before plumbing of the bathtub has been started.

1. The leading edge of the Corner Skirt is *not* cut at the factory. This is to allow for small variables in installations and in floor and wall straightness.
2. When the bathtub location has been confirmed, slide the Corner Skirt into place. The leading edge of the skirt will fit under the front of the bathtub.

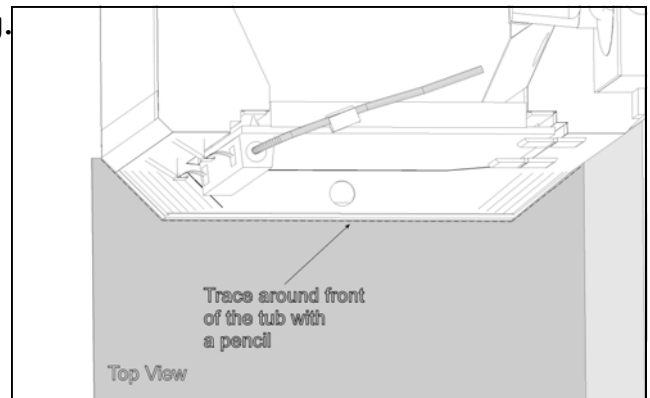


3. We have found that on some installations, it can be a little tricky getting the tub/skirt alignment consistent, so that the skirt can be trimmed, then put back in place correctly.

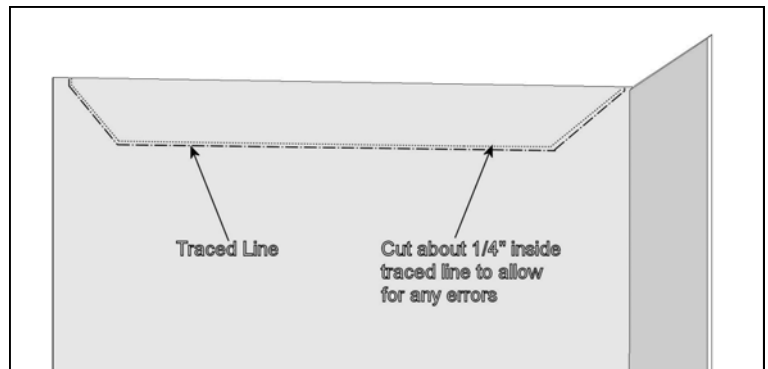
4. This potential problem can be overcome by adding 1/2" - 3/4" thick shims or wood stock under the bathtub while positioning and marking the skirt for trimming. Leave these shims under the bathtub while completing the tub plumbing installation and testing.



5. With a pencil, scribe the Corner Skirt for cutting.

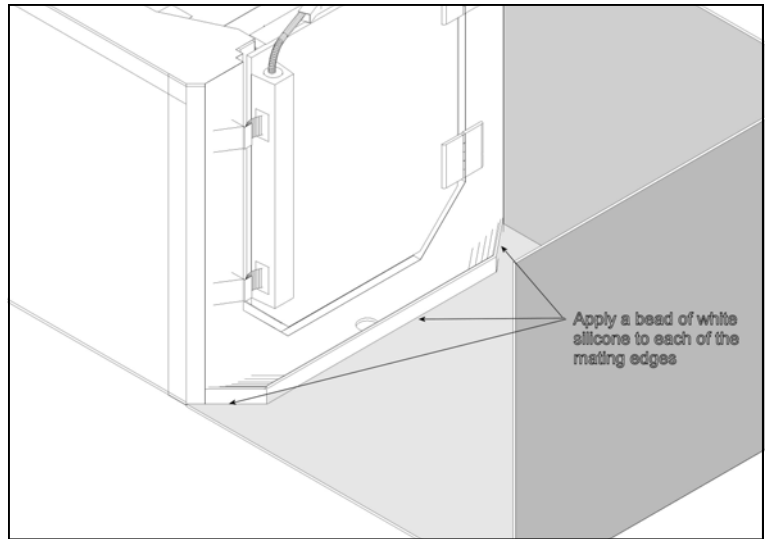


6. Using an angle grinder with a cut-off wheel (or similar cutting tool, such as a Dremel), cut out the area marked out with pencil. We **highly recommend** cutting about 1/8" to 1/4" inside this line to allow for any errors during tracing. Remember the old saying, "Measure twice, cut once." Once cut, remove any burrs and trial-fit the Corner Skirt. If more material needs to be removed, do so carefully.

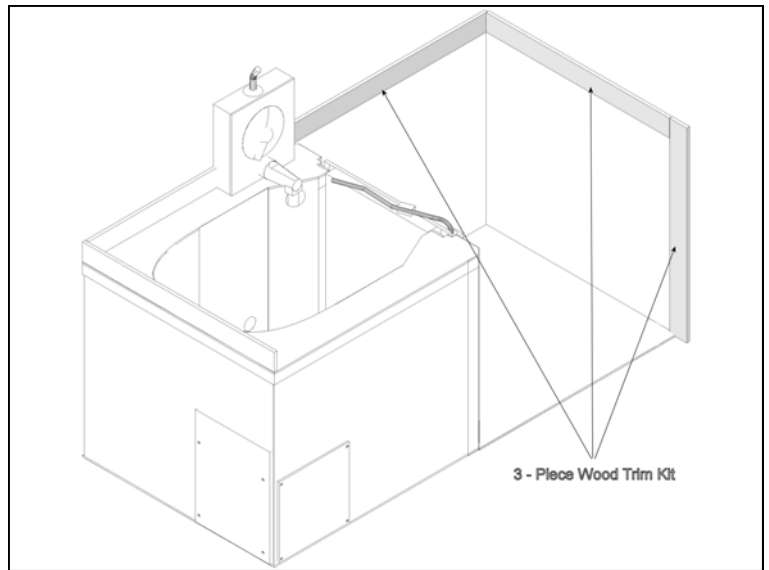


7. Once the fit between the bathtub and the Corner Skirt is satisfactory, remove the Corner Skirt, and proceed to complete the installation and plumbing of the bath. Once the bath has been plumbed, finished, and tested, the Corner Skirt can then be final-installed and completed (*see next page*).

8. Once the bathtub installation is finalized, and the plumbing is complete, slide the Corner Skirt into place. Remove shims from under the bathtub, if used. Apply a bead of bathroom-grade mildew-resistant silicone caulking to the joint between the main bath and the Corner Skirt.



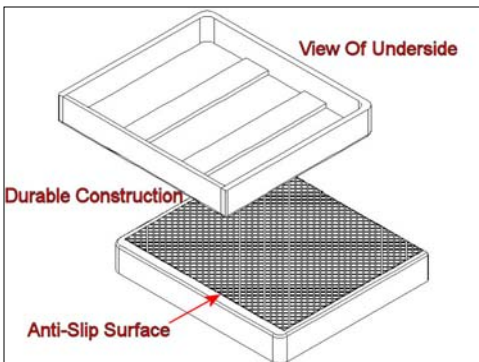
9. The final touches to the Molded Corner Skirt are installing the three wood trim pieces where the skirt meets with the wall. These pieces are factory pre-cut, mitered, and dadoed for a perfect fit. They are made to match the wood trim installed with the bathtub.



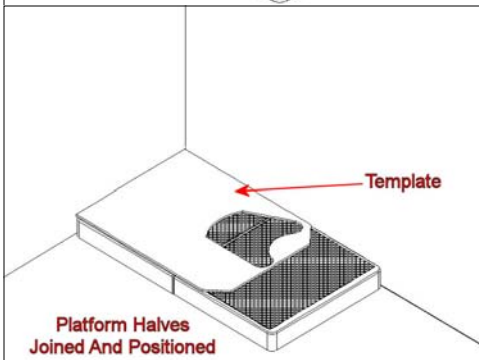
APPENDIX B -- OPTIONAL SERENITY PLATFORM INSTALLATION

Safety Bath's new Serenity Platform allows for easier installation of Safety Bath's Serenity bathtub where a sub-floor drain is not possible. The Platform can be used on wood floors with radiant floor heating, concrete slabs, or any shallow drain application.

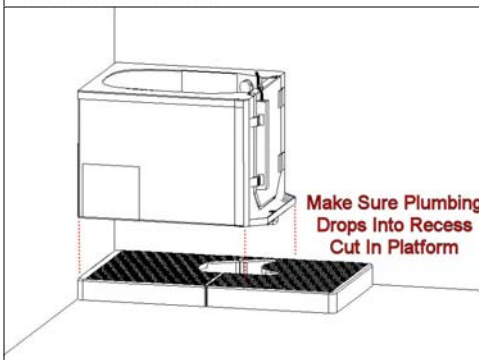
The Safety Bath Serenity Platform is a durable, sturdy, acrylic two-piece unit re-enforced with fiberglass. It features an attractive acrylic anti-slip surface and strong cross-bracing. Safety Bath does not include installation hardware or silicone sealant, since local laws and codes may dictate what type of fasteners or silicone sealant may be used.



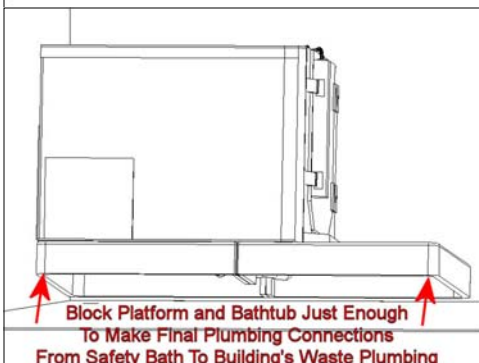
Begin installation by securing the two pieces of the platform together with appropriate screws, nails, or bolts (wood edges should butt together) and placing them into position on the floor where the bathtub is to be installed. Included with your Safety Bath is a template for shallow drain applications. Place the template over the platform pieces and mark the location for the waste and overflow plumbing. Using a sabre saw or rotary cutting tool, carefully cut along the line.



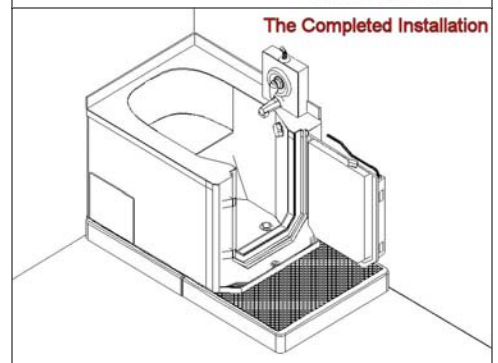
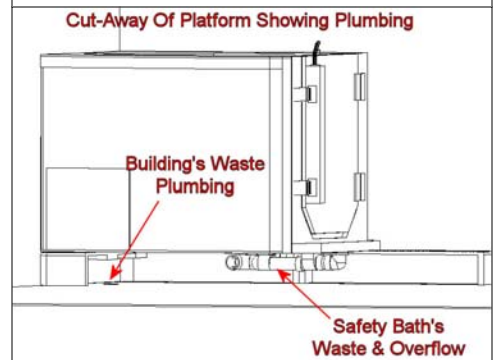
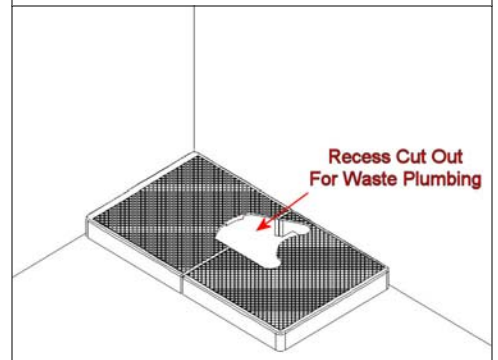
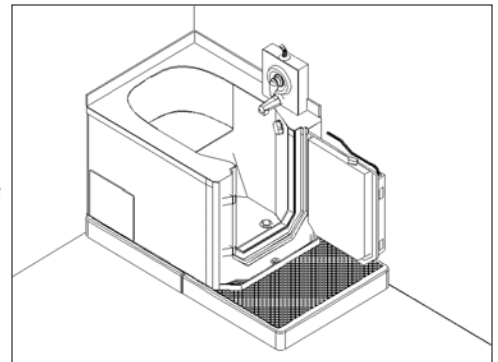
With the waste & overflow assembled in the bathtub, carefully lower the Safety Bath onto the platform. The waste & overflow plumbing should drop into the hole you cut out of the platform.



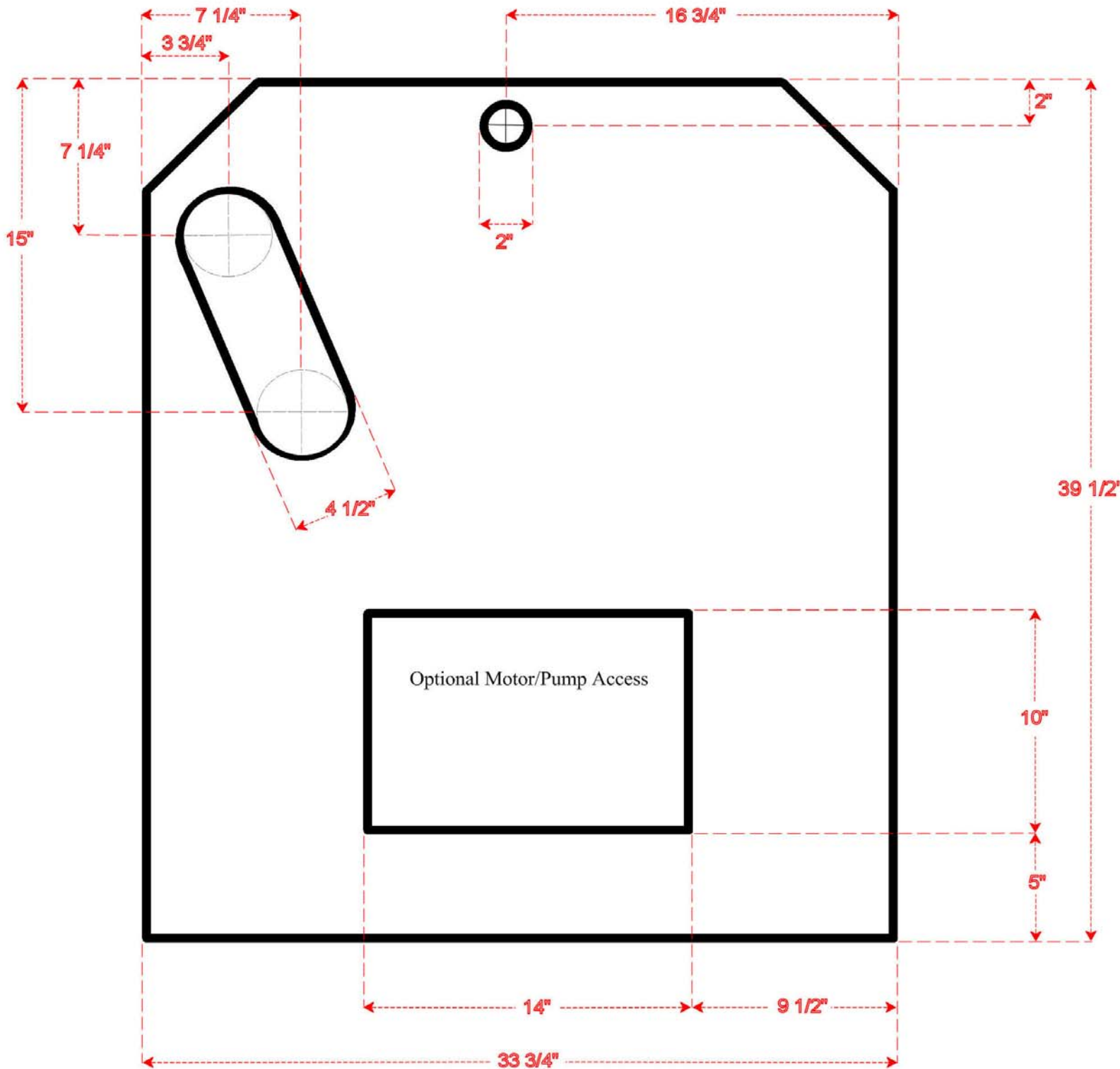
With the Safety Bath in place, block up the side of the platform and bathtub to gain access to the plumbing. Connect the building's waste plumbing to the Safety Bath's waste & overflow assembly using methods appropriate for your local, state, and federal building code. Additional blocking is recommended under the platform where the user will stand to give added strength and rigidity.



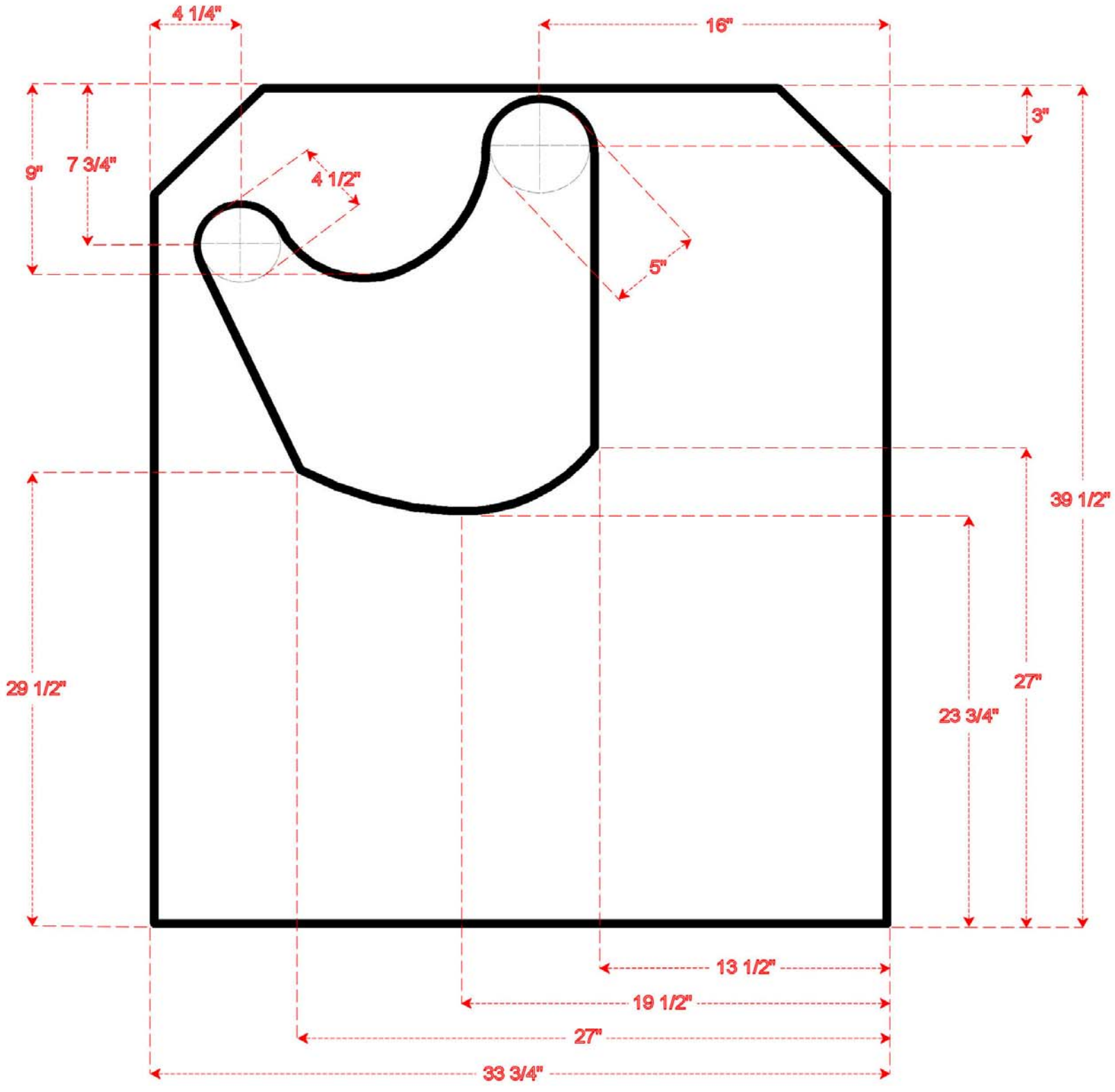
Note: Safety Bath does not include a P-Trap with any drain kit.



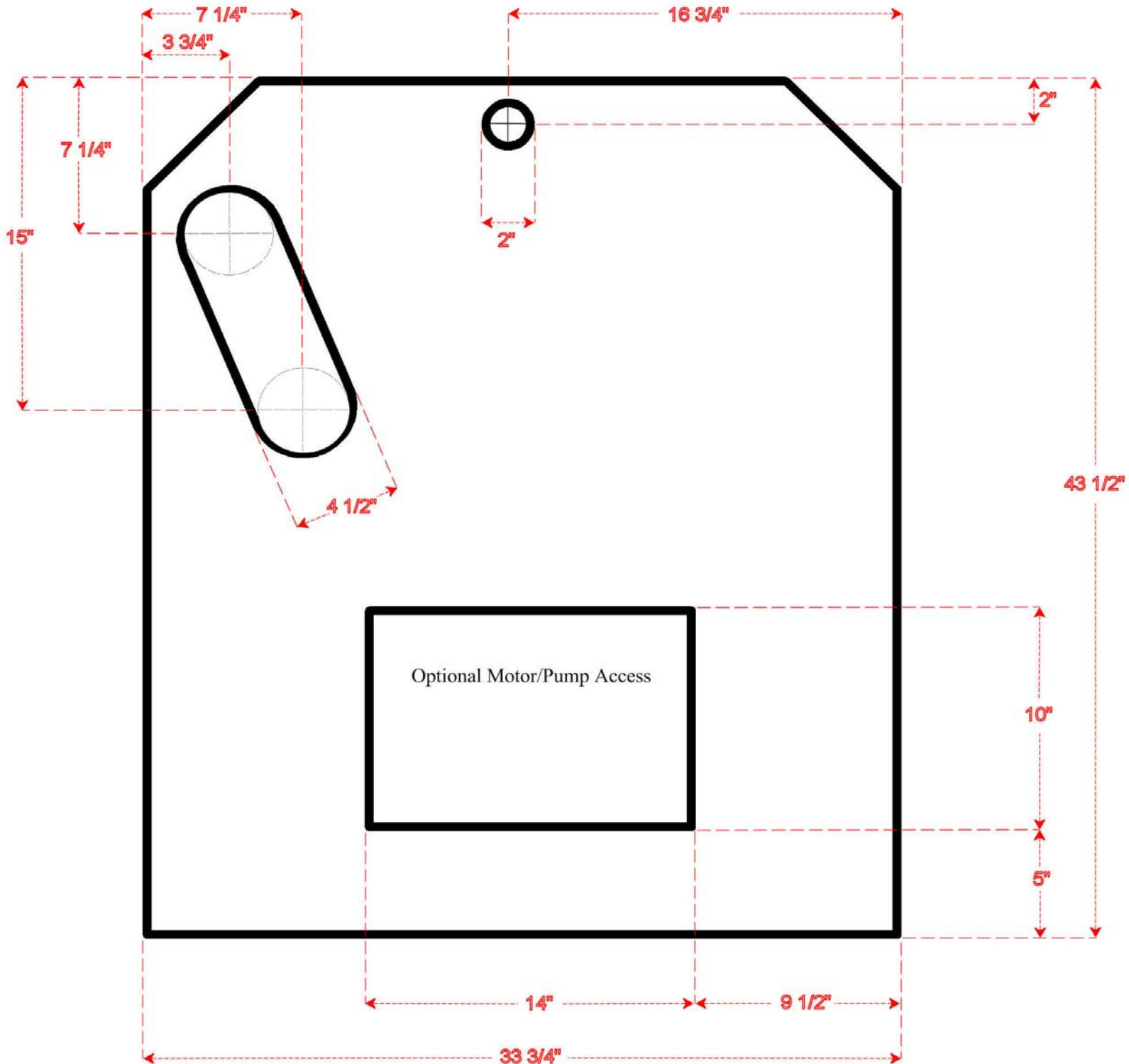
APPENDIX C -- SAFETY BATH SERENITY FLOOR TEMPLATE - STANDARD FLOOR APPLICATION



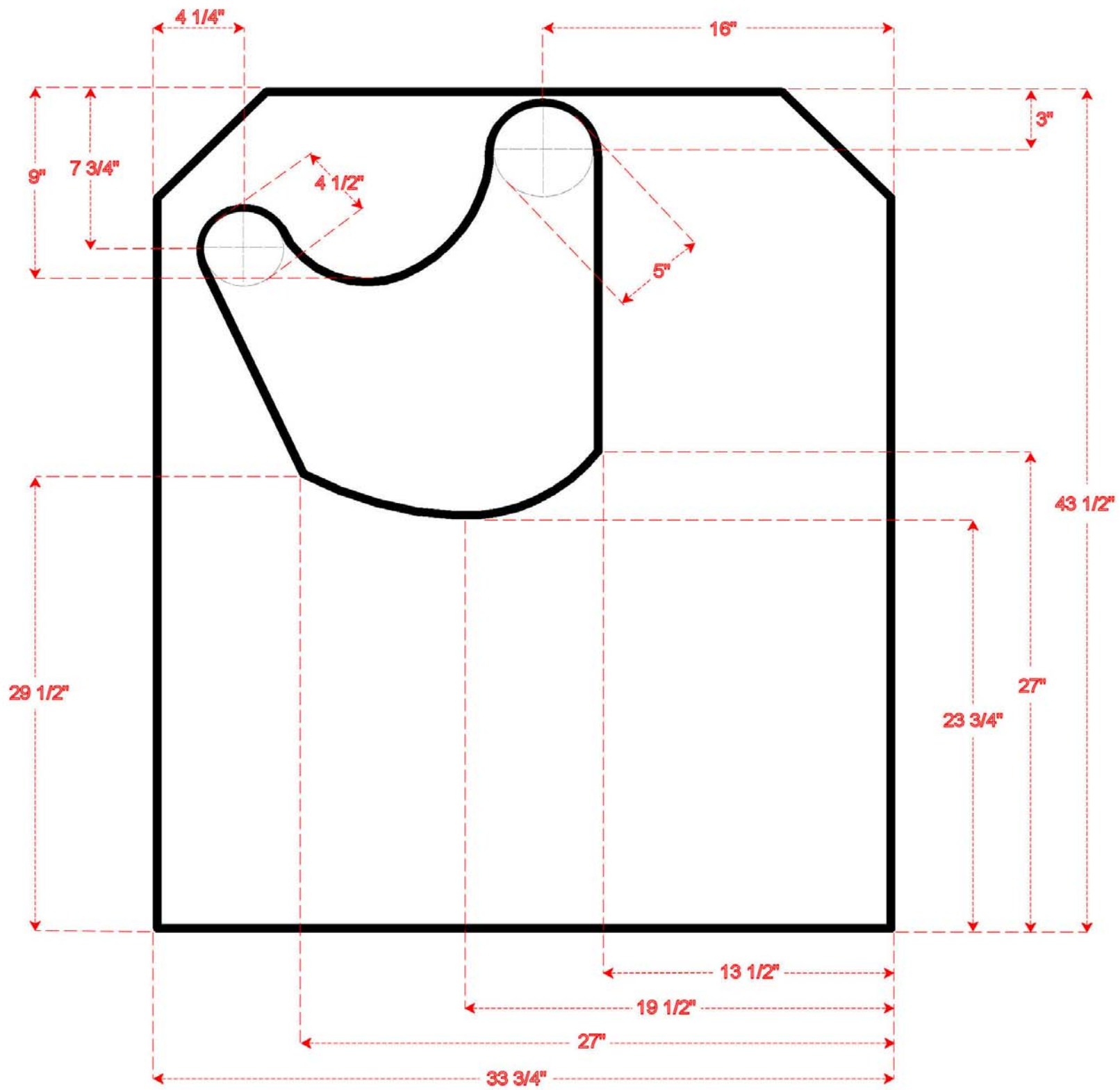
APPENDIX D -- SAFETY BATH SERENITY FLOOR TEMPLATE - SHALLOW FLOOR APPLICATION



APPENDIX E -- SAFETY BATH STRETCH FLOOR TEMPLATE - STANDARD FLOOR APPLICATION

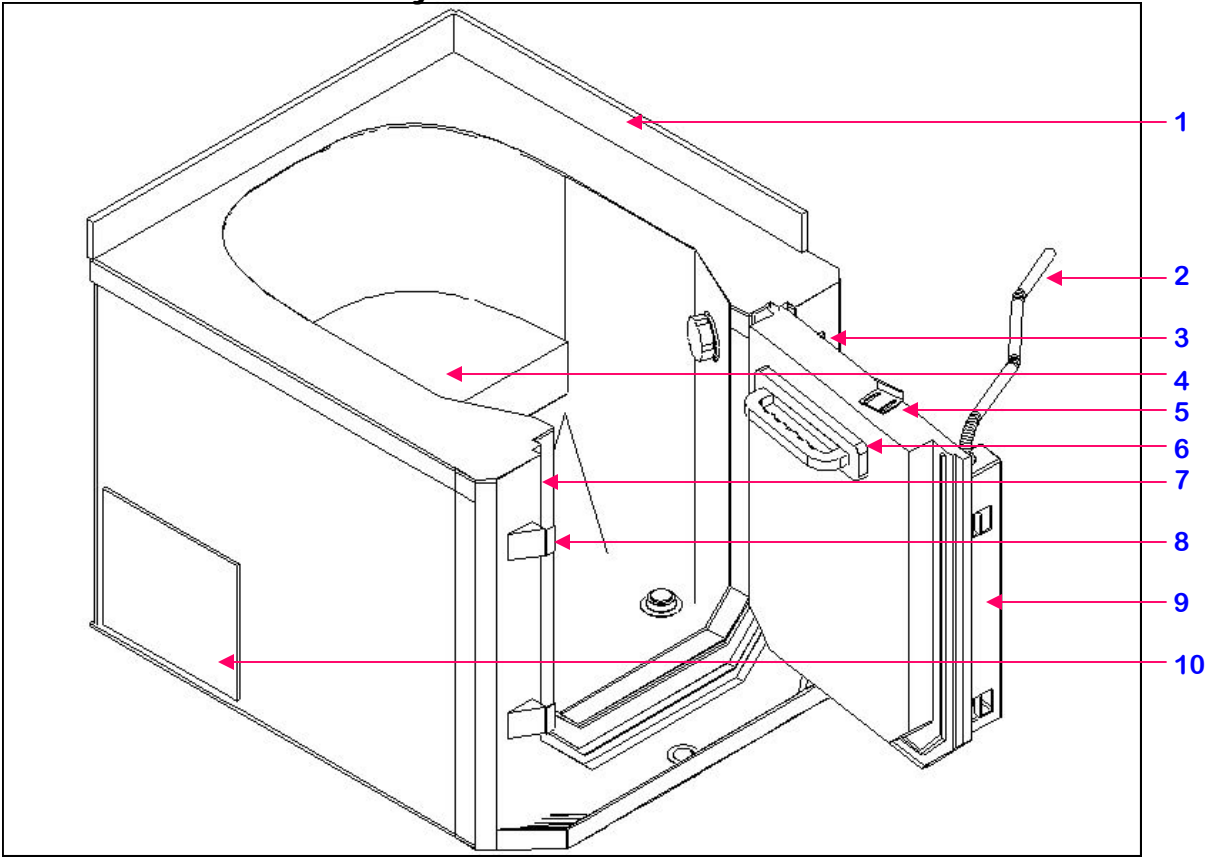


APPENDIX F -- SAFETY BATH STRETCH FLOOR TEMPLATE - SHALLOW FLOOR APPLICATION

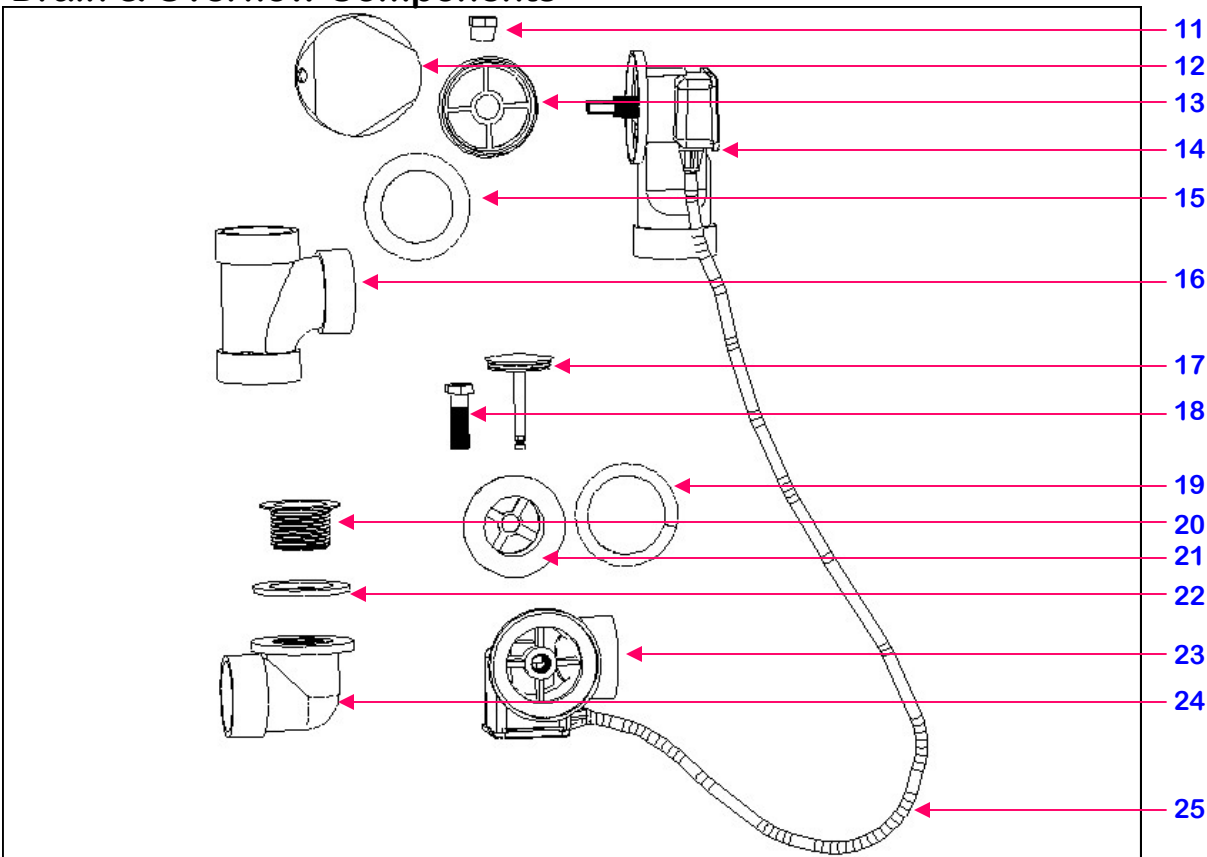


APPENDIX G -- REPLACEMENT PARTS LIST

Main Bathtub Assembly



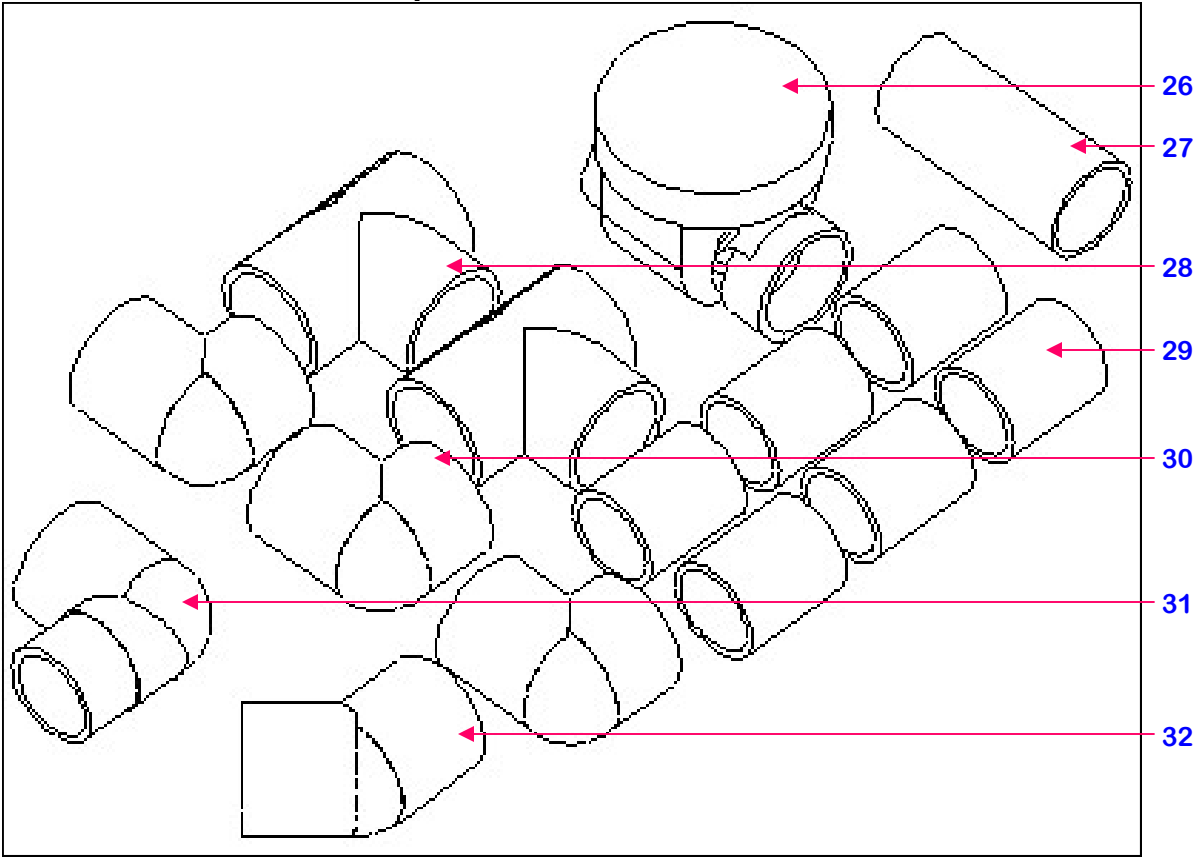
Drain & Overflow Components



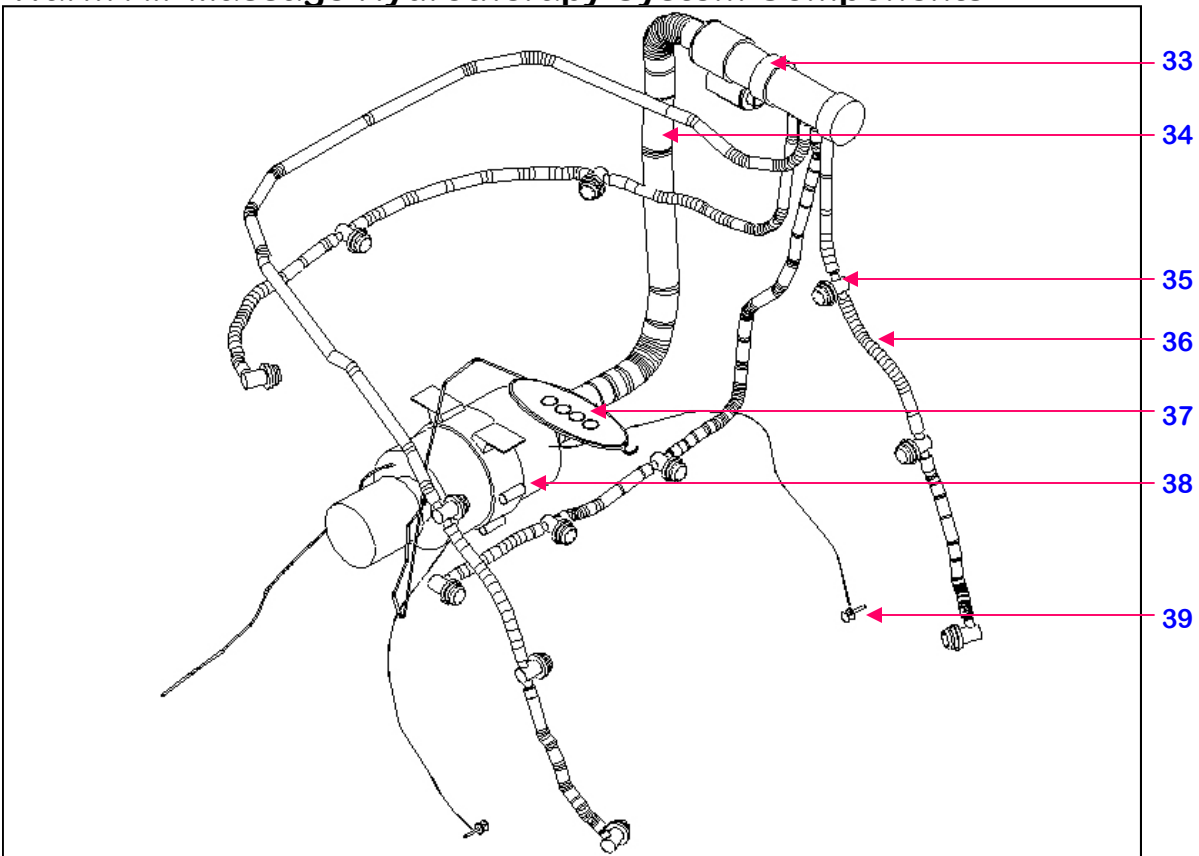
See Page 54 For Part Listings

APPENDIX G -- REPLACEMENT PARTS LIST

Shallow Drain Kit Components



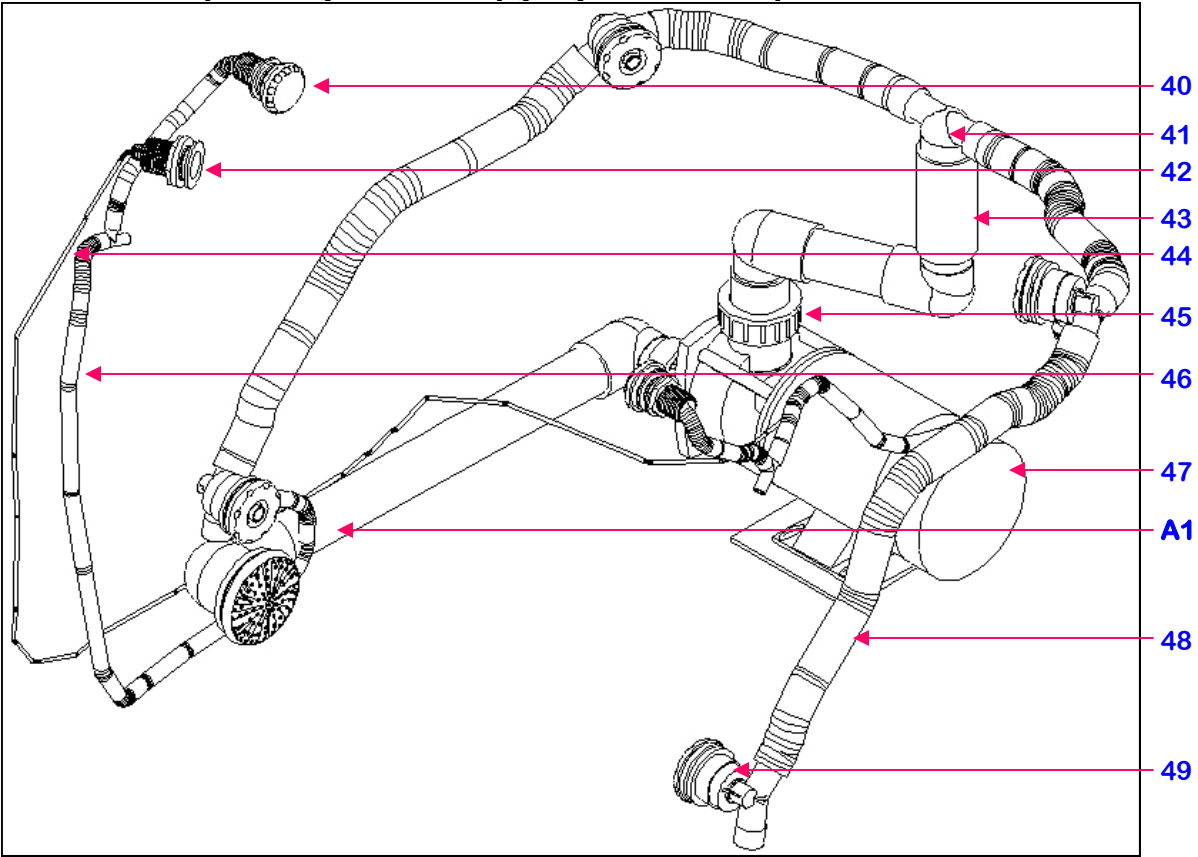
Warm Air Massage Hydrotherapy System Components



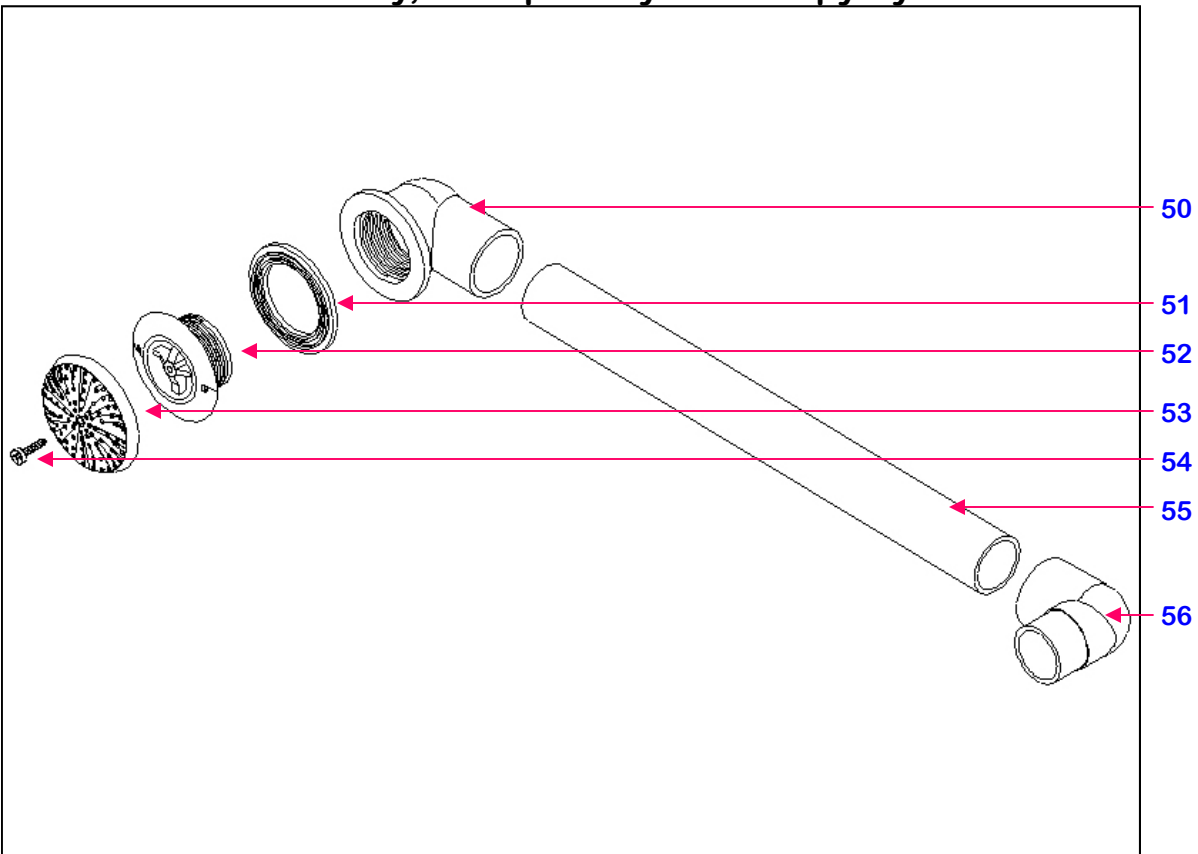
See Page 54 For Part Listings

APPENDIX G -- REPLACEMENT PARTS LIST

4-Jet Whirlpool Hydrotherapy System Components



A1 - Suction Assembly, Whirlpool Hydrotherapy System



See Page 54 For Part Listings

For Parts Ordering Or Information, Call 1-877-826-6666

Parts List

- 1 - 2-Piece Trim Board Kit
- 2 - Stainless Door Handle Ass'y
- 3 - Stainless Door Hinge (x2)
- 4 - 4" Booster Seat
- 5 - Stainless Door Handle Saddle
- 6 - Door Pull
- 7 - Door Seal
- 8 - Stainless Door Striker (x2)
- 9 - Door Assembly
- 10 - Access Hole Covers (x3)
- 11 - Drain Actuator Collar Nut
- 12 - Drain Actuator Knob
- 13 - Drain Actuator Collar
- 14 - Drain Actuator/Overflow Housing
- 15 - Drain Actuator O-Ring Seal
- 16 - 1 1/2" PVC Sanitary Tee
- 17 - Adjustable Pop-Up Valve
- 18 - Main Drain Through-Bolt
- 19 - Main Drain O-Ring Seal
- 20 - Front Drain Collar
- 21 - Main Drain Collar
- 22 - Front Drain O-Ring Seal
- 23 - Main Drain Housing
- 24 - Front Drain Housing
- 25 - Drain Actuator Cable
- 26 - SDK One-Way Valve
- 27 - SDK PVC Intermediate Pipe
- 28 - SDK 1-1/2" PVC Tee (x2)
- 29 - SDK 1-1/2" PVC Connector Pipe (x6)
- 30 - SDK 1-1/2" PVC 90-Degree Elbows (x3)
- 31 - SDK 1-1/2" PVC 90-Degree Street Elbow
- 32 - SDK 1-1/2" PVC 45-Degree Elbow
- 33 - WAM Plenum Assembly
- 34 - WAM Blower-to-Plenum Hose
- 35 - WAM Jet Assembly (x12)
- 36 - WAM Jet Tube
- 37 - WAM Touchpad Control
- 38 - WAM Blower Assembly
- 39 - WAM Water Sensor
- 40 - 4-Jet Jet Control Assembly
- 41 - 4-Jet Distribution Tee
- 42 - 4-Jet Pneumatic On/Off Pushbutton Switch
- 43 - 4-Jet Main Pump Tubing
- 44 - 4-Jet On/Off Switch Pneumatic Line
- 45 - 4-Jet Motor Coupler (x2)
- 46 - 4-Jet Air Suction Tubing
- 47 - 4-Jet Pump & Motor Assembly
- 48 - 4-Jet Water Distribution Tubing
- 49 - 4-Jet Adjustable Jet Assembly
- 50 - 4-Jet Suction Inlet Body
- 51 - 4-Jet Suction Inlet O-Ring Seal
- 52 - 4-Jet Suction Inlet
- 53 - 4-Jet Suction Screen
- 54 - 4-Jet Suction Screen Retaining Screw
- 55 - 4-Jet Suction Pipe
- 56 - 4-Jet Suction Elbow