



Contents

Sloan's Bak-Chek[®] Control Stop1

General Information: Stop Designs, Installation Instructions, Adjustment, and Maintenance2

The 700 Series: Complete Stops, Repair Kits, and Replacement Parts3-5

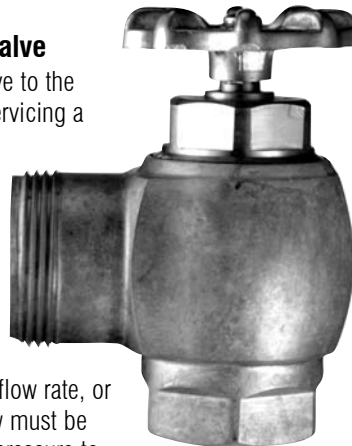
Repair Kits and Replacement Parts for H-540, H-600, and H-700 Series Control Stops5-6

Repair Kits and Replacement Parts for Obsolete Control Stops7-8

Sloan Flushometer valves are typically supplied with a Bak-Chek[®] Control Stop. The Control Stop is also known as a Supply Stop and controls three primary functions:

- **Serves as a shutoff or stop valve**

The Control Stop is the Shutoff Valve to the Flushometer. When installing or servicing a flushometer, the Stop is used to shut the water supply off to the valve.



- **Provides flow rate control**

A Sloan Flushometer holds flush volume delivery constant. The Control Stop is used to control the flow rate, or timing, of the flush. The rate of flow must be adjusted depending on the supply pressure to the valve and the type of fixture on which the valve is installed. An improperly adjusted Stop can result in poor flushing performance of a water closet or urinal.

- **Works as a back check in the event of a pressure loss**

The back check function of the Control Stop ensures that the water flows in only one direction. If the water supply system loses pressure, the Bak-Chek[®] keeps the valve pressurized. This helps prevent valve "run on" when the pressure is restored.



The following pages include information and diagrams describing Sloan Valve Company's current and obsolete Control Stops, repair kits, and parts. Sloan Valve Company can also provide stops not shown in our current catalog. For our special Polished Brass, Luster Gold, or Satin finishes, consult factory for code numbers. If you have any questions about our Control Stops or any installation issues, please contact the Installation Engineering staff at:

1-888-SLOAN-14 (1-888-756-2614)
 or techsupport@sloanvalve.com

LIMITED WARRANTY

Sloan Valve Company warrants its Flushometer Products to be made of first class materials, free from defects of material or workmanship under normal use and to perform the service for which they are intended in a thoroughly reliable and efficient manner when properly installed and serviced, for a period of three years (one year for special finishes) from date of purchase. During this period, Sloan Valve Company will, at its option, repair or replace any part or parts which prove to be thus defective if returned to Sloan Valve Company, at customer's cost, and this shall be the sole remedy available under this warranty. No claims will be allowed for labor, transportation or other incidental costs. This warranty extends only to persons or organizations who purchase Sloan Valve Company's products directly from Sloan Valve Company for purpose of resale.

THERE ARE NO WARRANTIES WHICH EXTEND BEYOND THE DESCRIPTION ON THE FACE HEREOF. IN NO EVENT IS SLOAN VALVE COMPANY RESPONSIBLE FOR ANY CONSEQUENTIAL DAMAGES OF ANY MEASURE WHATSOEVER.

The information contained in this document is subject to change without notice.

Sloan Control Stops

The “Common Stop”

In 1996, Sloan began using the H-700 series of Control Stops with all Flushometer valves. This “Common Stop” offers ¾” and 1” supply inlet size options, yet uses a single repair kit for both urinal and water closet stops. This change primarily affects the H-700 series ¾” stops, which now use the same repair kit as 1” stops. Repair kits for the smaller H-540 and H-600 ¾” stops remain available and are included in this maintenance guide.

The “Common Stop” body offers precise control over flow rates delivered through the valve. This feature is important, especially for 1-gallon urinal designs. This finite flow adjustment makes the difference between a proper flush and an ineffective flush that splashes and spills.

The “Common Stop” internal components are interchangeable with their counterparts in older 1” H-600 and H-540 Stops. The distinctively contoured seat plug in the “Common Stop” allows a finer flow rate adjustment similar to that of a needle valve. Unlike natural rubber components that can be destroyed by water treatment products, our synthetic Permex™ rubber seat plugs resist the effects of chloramines. Our stop spring, formerly brass, is now constructed of stainless steel. This helps prevent corrosion from the increasingly aggressive water supplies we see today.

All complete “Common Stops” now have bonnets stamped with an **H-700 Series** number. Both exposed and concealed wheel handle stops are stamped **H-700-WH Series**. The H-740 and H-780 stops that replace the H-540 series stops used with Regal valves are stamped **H-740 Series**.

Control Stop Designs

Supply Inlets

Sloan supplies Control Stops in two basic inlet sizes:

1. ¾” NPTF — For most urinal Flushometers
2. 1” NPTF — For all Water Closet Flushometers and Urinal Flushometers for 1¼” spud blow out Urinals

Control Stops are also available in some models with the following inlets for specialized and export applications:

1. 1” Whitworth Thread
2. 1” BSP British Standard Pipe Inlet
3. 1” NSPM Straight Thread — For use with shipboard Sil-Braz fittings

Tailpiece Connections

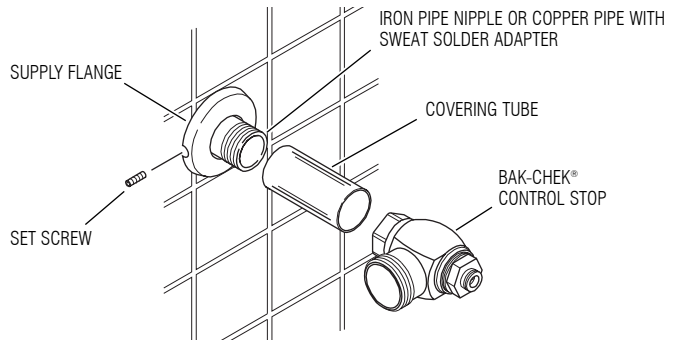
The majority of Flushometers supplied by Sloan since 1964 feature an adjustable tailpiece. Connection of the valve tailpiece to the Control Stop is made with a sliding O-ring seal.

Older valves (produced before 1964), valves furnished for salt-water installations, and all Straight Stops utilized a metal-to-metal Ground Joint (GJ) connection.

When replacing an older Stop, it is important to note which type of Stop connection is required.

Stops for use with salt water must be made from Naval Brass.

For information regarding Tailpieces, reference Sloan’s Tailpiece Repair and Maintenance Guide (0816505).

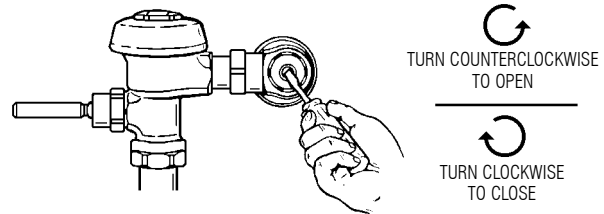


General Installation Instructions

Install the Sloan Bak-Chek® Control Stop to water supply line with outlet positioned as required. Tighten the Control Stop coupling with a wrench.

Control Stop Adjustment

After installation or service, readjust the Control Stop to meet the flow rate required for the proper cleansing of the fixture. Open the Control Stop COUNTERCLOCKWISE one full turn from the closed position. Activate Flushometer.



Adjust Control Stop after each flush until the rate of flow delivered properly cleanses the fixture. Turn the Control Stop adjustment screw (or wheel handle) counterclockwise to increase the flow rate or clockwise to decrease the flow rate.

Important: A Sloan Flushometer is engineered for quiet operation. Excessive water flow creates noise, while too little water flow may not satisfy the needs of the fixture. Proper adjustment is made when the plumbing fixture is cleansed after each flush without splashing water out from the lip AND a quiet flushing cycle is achieved.

The Control Stop should never be opened to the point where the flow from the valve exceeds the flow capability of the fixture. In the event of a valve failure, the fixture must be able to accommodate a continuous flow from the valve.

Maintenance and Cleaning

Control Stops have moving parts that may wear over time. Deterioration of rubber parts may result in an incomplete seal. If you can not shut off the stop completely, or if leakage is visible at the adjustment screw, order one of our Control Stop repair kits and rebuild the Control Stop.

DO NOT use abrasive or chemical cleaners to clean Flushometers. These cleaners may dull the luster and attack the chrome or special decorative finishes. Use **ONLY** soap and water, and then wipe dry with a clean cloth or towel. While cleaning the bathroom tile, protect the Flushometer from any splattering of cleaner. Acids and cleaning fluids can discolor or remove chrome plating.

If further assistance is required, please contact the Sloan Valve Company Installation Engineering Department at **1-888-SLOAN-14 (1-888-756-2614)** or techsupport@sloanvalve.com

H-700 Series Bak-Chek® Control Stops and Replacement Parts (Available for 3/4" and 1" water supply inlet pipes)

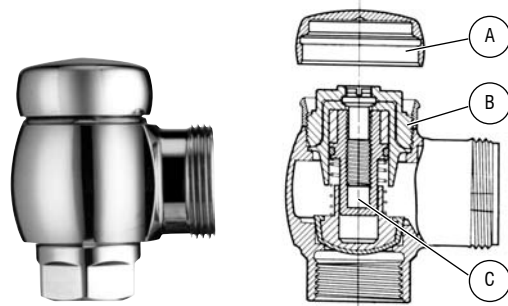
Replaces H-600 and H-540 Series Control Stops

* Refer to page 5 for diagrams of our Stop Caps and page 6 for the components supplied in our Control Stop Repair Kits.

Control Stop and Replacement Parts

Part Number **Code Number**

H-700 Stop, chrome plated: Screw Driver Angle Stop with H-1010-A Vandal Resistant Cap



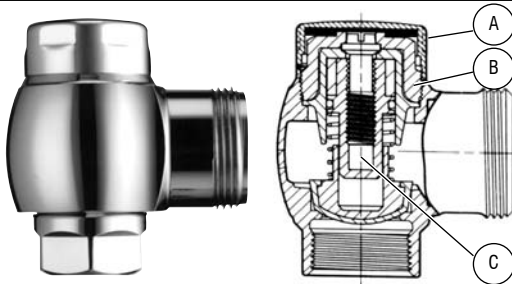
Complete Stops

3/4" NPTF inlet for adjustable tail	H-700-A	3308384
1" NPTF inlet for adjustable tail	H-700-A	3308386
3/4" NPTF inlet for ground joint tail	H-700-AG	3308385
1" NPTF inlet for ground joint tail	H-700-AG	3308387
1" Whitworth inlet for adjustable tail	H-700-AW	3308388

Repair Parts

A Vandal Resistant Cap*, chrome plated	H-1010-A	3308791
B Bonnet, chrome plated	H-622	0308612
C Control Stop Repair Kit*	H-541-ASD	3308853

H-710 Stop, chrome plated: Screw Driver Angle Stop with H-573 Locking Vandal Resistant Cap



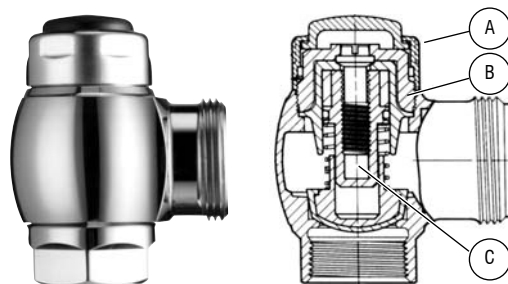
Complete Stops

3/4" NPTF inlet for adjustable tail	H-710-A	0388025
1" NPTF inlet for adjustable tail	H-710-A	0388022
3/4" NPTF inlet for ground joint tail	H-710-AG	0388026
1" NPTF inlet for ground joint tail	H-710-AG	0388024
1" Whitworth inlet for adjustable tail	H-710-AW	0388037
1" BSP British Standard Pipe inlet for adjustable tail	H-710-AAR	0388062
1" NPTF inlet for adjustable tail (Naval brass)	NH-710-A	0388043
3/4" NPTF inlet for ground joint tail (Naval brass)	NH-710-AG	0388048
1" NPTF inlet for ground joint tail (Naval brass)	NH-710-AG	0388058
1" Whitworth inlet for adjustable tail (Naval brass)	NH-710-AW	0388042
1" Whitworth inlet for ground joint tail (Naval brass)	NH-710-AW	0388045
1" NPSM inlet for ground joint tail (Naval brass)	NH-710-AGS	0388044

Repair Parts

A Locking Vandal Resistant Cap*, chrome plated	H-573-A	3308840
B Bonnet, chrome plated	H-622	0308612
C Control Stop Repair Kit*	H-541-ASD	3308853

H-720 Stop, chrome plated: Screw Driver Angle Stop with H-574 Short bumper Cap (-YO Variation)



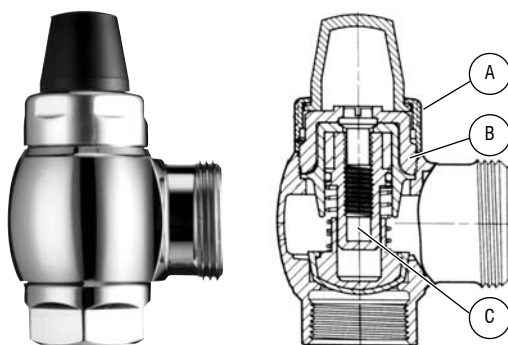
Complete Stops

1" NPTF inlet for adjustable tail	H-720-A	0388034
1" NPTF inlet for ground joint tail	H-720-AG	0388033
1" Whitworth inlet for adjustable tail	H-720-AW	0388038

Repair Parts

A Stop Cap with Seat Bumper*, chrome plated	H-574	3308866
B Bonnet, chrome plated	H-622	0308612
C Control Stop Repair Kit*	H-541-ASD	3308853

H-725 Stop, chrome plated: Screw Driver Angle Stop with H-576 Extended Bumper Cap (-YG Variation)



Complete Stops

1" NPTF inlet for adjustable tail	H-725-A	0388035
1" NPTF inlet for ground joint tail	H-725-AG	0388057
1" Whitworth inlet for adjustable tail	H-725-AW	0388039
1" Whitworth inlet for ground joint tail (Naval brass)	NH-725-AGW	0388047

Repair Parts

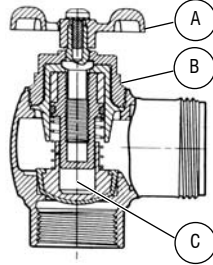
A Stop Cap with Extended Seat Bumper*, chrome plated	H-576	3308867
B Bonnet, chrome plated	H-622	0308612
C Control Stop Repair Kit*	H-541-ASD	3308853

* Refer to page 5 for diagrams of our Stop Caps and page 6 for the components supplied in our Control Stop Repair Kits.

Control Stop and Replacement Parts

Part Number **Code Number**

H-730 Stop, rough brass: Concealed Wheel Handle Angle Stop



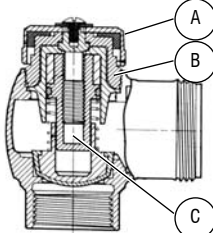
Complete Stops

3/4" NPTF inlet for adjustable tail	H-730-A	0388011
1" NPTF inlet for adjustable tail	H-730-A	0388010
3/4" NPTF inlet for ground joint tail	H-730-AG	0388014
1" NPTF inlet for ground joint tail	H-730-AG	0388013
1" Whitworth inlet for adjustable tail	H-730-AV	0388012
3/4" NPTF inlet for ground joint tail (Naval brass)	NH-730-AG	0388056
1" NPTF inlet for ground joint tail (Naval brass)	NH-730-AG	0388017
1" Whitworth inlet for adjustable tail (Naval brass)	NH-730-AV	0388041
1" Whitworth inlet for ground joint tail (Naval brass)	NH-730-AV	0388046

Repair Parts

A Concealed Wheel Handle Repair Kit*	H-1011-A	3308872
B Bonnet, rough brass	H-623	0208083
C Control Stop Repair Kit*	H-1006-A	3308860

H-735 Stop, chrome plated: Exposed Wheel Handle Angle Stop



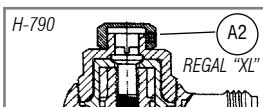
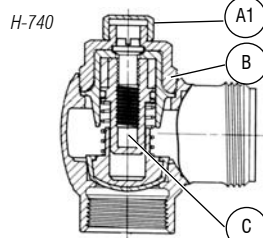
Complete Stops

3/4" NPTF inlet for adjustable tail	H-735-A	0388007
1" NPTF inlet for adjustable tail	H-735-A	0388006
3/4" NPTF inlet for ground joint tail	H-735-AG	0388009
1" NPTF inlet for ground joint tail	H-735-AG	0388008

Repair Parts

A Exposed Wheel Handle Repair Kit*	H-1002-A	3308060
B Bonnet, chrome plated	H-623	0308615
C Control Stop Repair Kit*	H-541-AWH	3308855

H-740 Stop, chrome plated: Screw Driver Angle Stop with H-37 Cap (Regal Flushometer Valve Stop) and H-790 Stop, chrome plated: Screw Driver Angle Stop with Vandal Resistant Cap (Regal "XL" Flushometer Valve Stop)



Complete Stops For Regal Flushometers

3/4" NPTF inlet for adjustable tail	H-740-A	0388031
1" NPTF inlet for adjustable tail	H-740-A	0388029
3/4" NPTF inlet for ground joint tail	H-740-AG	0388040
1" NPTF inlet for ground joint tail	H-740-AG	0388028

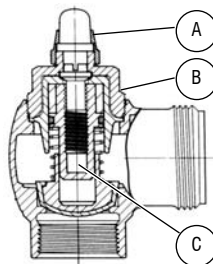
Complete Stops For Regal "XL" Flushometers

3/4" NPTF inlet for adjustable tail	H-790-A	0388064
1" NPTF inlet for adjustable tail	H-790-A	0388065
3/4" NPTF inlet for ground joint tail	H-790-AG	0388068
1" NPTF inlet for ground joint tail	H-790-AG	0388067

Repair Parts

A1 Cap*, chrome plated, for Regal Flushometer (package of 6)	H-37	5308156
A2 Vandal Resistant Socket Cap*, chrome plated with set screw, for Regal "XL" Flushometer (package of 6)	H-1012-A	5388001
B Bonnet, chrome plated	H-639	0308991
C Control Stop Repair Kit*	H-541-ASD	3308853

H-745 Stop, chrome plated: Screw Driver Angle Stop with J-2/J-7 Bumper (for Regal Flushometer Valve Stop) (-Y0/-YG Variations)



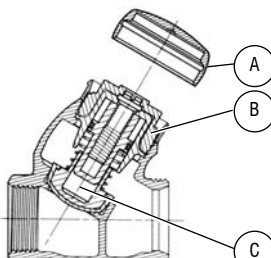
Complete Stops

1" NPTF inlet for adjustable tail	H-745-A	0388032
-----------------------------------	---------	---------

Repair Parts

A Cap*, chrome plated (package of 6)	J-2/J-7	5310034
B Bonnet, chrome plated	H-639	0308991
C Control Stop Repair Kit*	H-541-ASD	3308853

H-750 Stop, chrome plated: Screw Driver Straight Stop with H-1010-A Vandal Resistant Cap



Complete Stops

1" NPTF inlet for ground joint tail	H-750-AG	3308389
-------------------------------------	----------	---------

Repair Parts

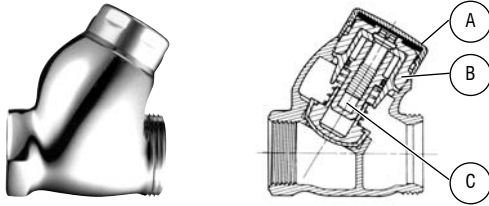
A Vandal Resistant Cap*, chrome plated	H-1010-A	3308791
B Bonnet, chrome plated	H-622	0308612
C Control Stop Repair Kit*	H-541-ASD	3308853

* Refer to page bottom for diagrams of our Stop Caps and page 6 for the components supplied in our Control Stop Repair Kits.

Control Stop and Replacement Parts

Part Number **Code Number**

H-760 Stop, chrome plated: Screw Driver Straight Stop with H-573 Locking Vandal Resistant Cap



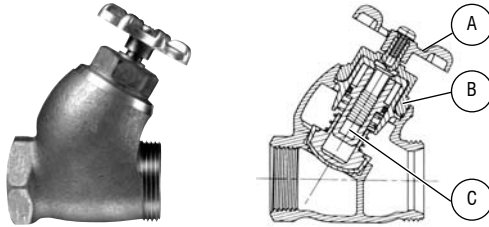
Complete Stops

1" NPTF inlet for ground joint tail H-760-AG 0388023

Repair Parts

A Locking Vandal Resistant Cap*, chrome plated	H-573-A	3308840
B Bonnet, chrome plated	H-622	0308612
C Control Stop Repair Kit*	H-541-ASD	3308853

H-770 Stop, rough brass: Concealed Wheel Handle Straight Stop



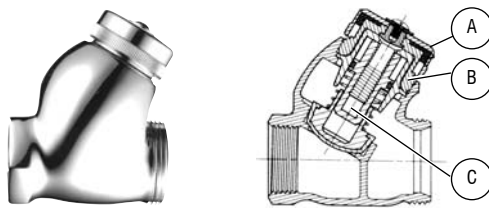
Complete Stops

1" NPTF inlet for ground joint tail H-770-AG 0388030

Repair Parts

A Concealed Wheel Handle Repair Kit*	H-1011-A	3308872
B Bonnet, rough brass	H-623	0208083
C Control Stop Repair Kit*	H-1006-A	3308860

H-775 Stop, chrome plated: Exposed Wheel Handle Straight Stop



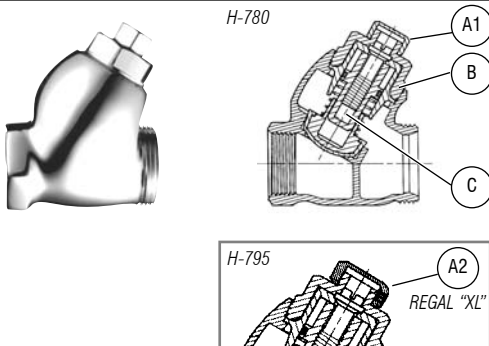
Complete Stops

1" NPTF inlet for ground joint tail H-775-AG 0388036

Repair Parts

A Exposed Wheel Handle Repair Kit*	H-1002-A	3308060
B Bonnet, chrome plated	H-623	0308615
C Control Stop Repair Kit*	H-541-AWH	3308855

H-780 Stop, chrome plated: Screw Driver Straight Stop with H-37 Cap (Regal Flushometer Valve Stop) and H-795 Stop, chrome plated: Screw Driver Straight Stop with Vandal Resistant Cap (Regal "XL" Flushometer Valve Stop)



Complete Stops For Regal Flushometers

1" NPTF inlet for ground joint tail H-780-AG 0388027

Complete Stops For Regal "XL" Flushometers

1" NPTF inlet for ground joint tail H-795-AG 0388069

Repair Parts

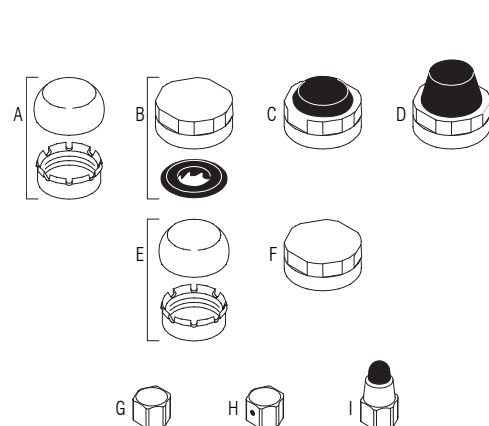
A1 Cap*, chrome plated, for Regal Flushometer (package of 6)	H-37	5308156
A2 Vandal Resistant Socket Cap*, chrome plated with set screw, for Regal "XL" Flushometer (package of 6)	H-1012-A	5388001
B Bonnet, chrome plated	H-639	0308991
C Control Stop Repair Kit*	H-541-ASD	3308853

For H-790 Stop, refer to information shown for H-740 and H-790 Stops on Page 4.
For H-795 Stop, refer above to information shown for H-780 and H-795 Stops.

CONTROL STOP REPAIR KITS AND REPLACEMENT PARTS

For H-540, H-600, and H-700 Series Control Stops

Replacement Stop Caps for Screwdriver Control Stops



Repair Kit and Replacement Parts

Part Number **Code Number**

For 1" H-600 and H-700 Series Stops and 3/4" H-700 Series Stops

A Vandal Resistant Stop Cap, chrome plated, with Sleeve Plastic Sleeve only (package of 6)	H-1010-A H-628	3308791 5308953
B Locking Vandal Resistant Stop Cap, chrome plated	H-573-A	3308840
C Stop Cap, chrome plated with Seat Bumper (-YO)	H-574	3308866
D Stop Cap, chrome plated with Extended Seat Bumper (-YG)	H-576	0308842

For 3/4" H-600 Series Stops

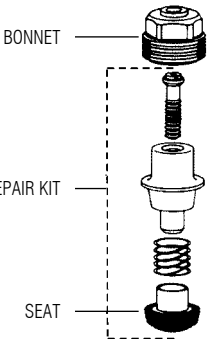
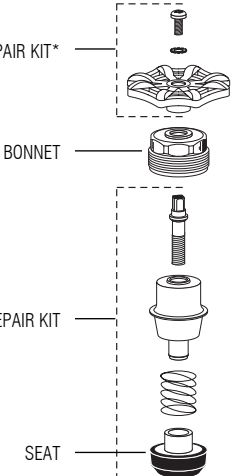
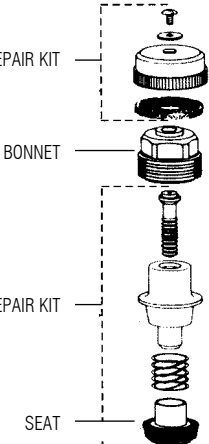
E Vandal Resistant Stop Cap, chrome plated, with Sleeve Plastic Sleeve only (package of 6)	H-1009-A H-614	3308790 5308952
F Stop Cap, chrome plated	H-582	0308848

For all H-40, H-440, H-540 and H-740 Series Stops

G Stop Cap, chrome plated (package of 6)	H-37	5308156
H Vandal Resistant Stop Cap with set screw, chrome plated (package of 6)	H-1012-A	5388001
I Stop Cap, chrome plated with Seat Bumper (package of 6)	J-2/J-7	5310034

CONTROL STOP REPAIR KITS AND REPLACEMENT PARTS

For H-540, H-600, and H-700 Series Control Stops

	Repair Kit and Replacement Parts	Part Number	Code Number
Screw Driver Control Stops 	Control Stop Repair Kits		
	For 1" H-540, H-600 and H-700 Series Stops and 3/4" H-700 Series Stops	H-541-ASD	3308853
	For 3/4" H-540 and H-600 Series Stops	H-543-ASD	3308856
	Seat only (package of 6)		
	For 1" H-540, H-600 and H-700 Series Stops and 3/4" H-700 Series Stops	H-584	5308850
	For 3/4" H-540 and H-600 Series Stops	H-569	5308836
	Bonnets		
	For 1" H-600 and H-700 Series Stops and 3/4" H-700 Series Stops	H-622	0308612
	For 1" H-540 and H-740 Series Stops and 3/4" H-740 Series Stops	H-639	0308991
	For 3/4" H-600 Series Stops	H-577	0308843
For 3/4" H-540 Series Stops	H-538	0308601	
Concealed Wheel Handle Control Stops 	Control Stop Repair Kits — *Note: Repair Kit includes H-1011-A Wheel Handle Repair Kit		
	For 1" H-540, H-600 and H-700 WH Series Stops and 3/4" H-700 WH Series Stops	H-1006-A	3308860
	For 3/4" H-540 and H-600 Series Stops	H-1007-A	3308859
	Seat only (package of 6)		
	For 1" H-540, H-600 and H-700 WH Series Stops and 3/4" H-700 WH Series Stops	H-584	5308850
	For 3/4" H-540 and H-600 Series Stops	H-569	5308836
	Bonnets		
	For 1" H-540, H-600 and H-700 WH Series Stops and 3/4" H-700 Series Stops	H-623	0208083
	For 3/4" H-540 and H-600 Series Stops	H-561	0308705
	Wheel Handle Repair Kit — Note: Repair Kit includes handle, screw and lockwasher		
For all Concealed Wheel Handle Stops	H-1011-A	3308872	
<p><i>NOTE: H-540 and H-600 Series Concealed Wheel Handle Stops made prior to 1993 featured a design identical to the Exposed Wheel Handle design. These stops can be repaired using an Exposed Wheel Handle Repair Kit or converted to the current design by using a Concealed Wheel Handle Repair Kit.</i></p>			
Exposed Wheel Handle Control Stops 	Control Stop Repair Kits		
	For 1" H-540, H-600 and H-700 WH Series Stops and 3/4" H-700 Series Stops	H-541-AWH	3308855
	For 3/4" H-540 and H-600 Series Stops	H-543-AWH	3308858
	Seat only (package of 6)		
	For 1" H-540, H-600 and H-700 WH Series Stops and 3/4" H-700 WH Series Stops	H-584	5308850
	For 3/4" H-540 and H-600 Series Stops	H-569	5308836
	Bonnets		
	For 1" H-540, H-600 and H-700 WH Series Stops and 3/4" H-700 Series Stops	H-623	0308615
	For 3/4" H-540 and H-600 Series Stops	H-561	0308705
	Wheel Handle Repair Kit — Note: Repair Kit includes handle, washer, screw and lockwasher		
For all Exposed Wheel Handle Stops	H-1002-A	3308060	
Screw and Lockwasher only (package of 12)	H-1003-A	5308059	

NOTE: 1" and 3/4" H-700 Series Stops use "Common Stop" Repair Kits. 1" and 3/4" H-540 and H-600 Series Stops use Stop Repair Kits unique to each size. See The "Common Stop" on page 2 for more details.

CONTROL STOP REPAIR KITS AND REPLACEMENT PARTS

For Obsolete Control Stops

WHERE NOTED, REPAIR KIT PARTS ARE COMPATIBLE WITH BOTH ANGLE AND STRAIGHT STOPS.

Repair Kit and Replacement Parts		Part Number	Code Number
H-10-A 1" Screw Driver Angle Stop, (also fits H-15-A 1" Screw Driver Straight Stop) — used from 1920's through 1940's			
		Repair kit includes screw and seat subassembly, disc, loose key socket, lock shield, and packing	H-1013-A 3308095
		Packing only (package of 12)	H-12 5308077
		Bonnet no longer available	— —
H-10-A 1" Wheel Handle Angle Stop (also fits H-15-A 1" Wheel Handle Straight Stop) — Used from 1920's through 1940's			
		Repair kit includes screw and seat subassembly, disc, wheel handle socket, packing, wheel handle packing nut, wheel handle, screw, washer, brass washer, seat plate, and nut	H-1014-A 3308096
		Packing only (package of 12)	H-12 5308077
		Bonnet no longer available	— —
H-20-A 1/2" and 3/4" Screw Driver Angle Stop (also fits H-30-A Screw Driver Straight Stop) — Used from 1920's through 1950's			
		Repair kit includes socket, packing ring, packing nut, screw assembly, and packing	H-1001-A 3308102
		Packing only (package of 12)	H-12 5308077
		Bonnet no longer available	— —
H-20-A 1/2" and 3/4" Wheel Handle Angle Stop (also fits H-30-A Wheel Handle Straight Stop) — Used from 1920's through 1950's			
		Repair kit includes socket, packing ring, packing nut, screw assembly, packing, screw, wheel handle, and washer	H-1000-A 3308103
		Packing only (package of 12)	H-12 5308077
		Bonnet no longer available	— —
H-40-A 3/4" and 1" Screw Driver Angle Stop (also fits H-45-A Screw Driver Straight Stop) — Used from 1930's through 1960's			
		Repair kit includes packing ring, key socket, lock shield, retaining ring, screw assembly, and packing	H-47-A-SD 3308277
		Bonnet assembly repair kit includes a bonnet assembled with packing ring, key socket, retaining ring, screw assembly, and packing plus our H-37 Vandal Resistant Stop Cap that replaces the lock shield.	H-39-A-SD 0308176
		Packing only (package of 12)	H-12 5308077
		Bonnet Only	H-39 0308167
H-40-A 3/4" and 1" Wheel Handle Angle Stop (also fits H-45-A Wheel Handle Straight Stop) — Used from 1930's through 1960's			
		Repair kit includes packing ring, screw, wheel handle, key stem, gland for wheel handle, retaining gland, screw assembly, washer and packing	H-47-A-WH 3308278
		Bonnet assembly repair kit includes a bonnet assembled with packing ring, screw, wheel handle, key stem, gland for wheel handle, retaining gland, screw assembly, washer and packing	H-39-A-WH 0308175
		Packing only (package of 12)	H-12 5308077
		Bonnet Only	H-39 0308170

NOTE: All obsolete Control Stops are for Ground Joint Tailpiece Connections.

Repair Kit and Replacement Parts		Part Number	Code Number	
H-340-A 3/4" and 1" Screw Driver and Wheel Handle Angle Stops — used from 1940's through 1950's				
		The only replacement part available for this stop is the rubber plug.		
		Rubber Plug	H-382-A	0308433
H-440-A 3/4" Screw Driver Angle Stop — Used from 1950's through 1960's				
		Repair kit includes lock shield, packing, key stem, rubber plug, and packing ring	H-484-A-SD	3308442
		Bonnet assembly repair kit includes a bonnet assembled with packing, key stem, rubber plug, and packing ring plus our H-37 Vandal Resistant Stop Cap that replaces the lock shield.	H-439-AU	0308432
		Bonnet	H-439	0308434
		Rubber Plug	H-484-A	0308490
		Packing only (package of 12)	H-12	5308077
H-440-A 3/4" Wheel Handle Angle Stop — Used from 1950's through 1960's				
		Repair kit includes packing ring, screw, wheel handle, gland for wheel handle, washer, packing, wheel handle stem, and rubber plug	H-484-A-WH	3308443
		Bonnet	H-439	0308435
		Rubber Plug	H-484-A	0308490
		Packing only (package of 12)	H-12	5308077
		H-440-A 1" Screw Driver Angle Stop (also fits H-445-A Screw Driver Straight Stop) — Used from 1950's through 1960's		
		Repair kit includes lock shield, packing, key stem, rubber plug, and packing ring	H-482-A-SD	3308453
		Bonnet assembly repair kit includes a bonnet assembled with packing ring, key socket, retaining ring, screw assembly, and packing plus our H-37 Vandal Resistant Stop Cap that replaces the lock shield.	H-439-A	0308428
		Bonnet	H-439	0308434
		Rubber Plug	H-482-A	0308489
		Packing only (package of 12)	H-12	5308077
H-440-A 1" Wheel Handle Angle Stop (also fits H-445-A Wheel Handle Straight Stop) — Used from 1950's through 1960's				
		Repair kit includes packing ring, screw, wheel handle, gland for wheel handle, washer, packing, wheel handle stem, and rubber plug	H-482-A-WH	3308454
		Bonnet	H-439	0308435
		Rubber Plug	H-482-A	0308489
		Packing only (package of 12)	H-12	5308077

NOTE: H-440 Series Control Stops were used with Sloan's "Quiet Flush" Flushometer valve models.

NOTE: All obsolete Control Stops are for Ground Joint Tailpiece Connections.

The information contained in this document is subject to change without notice.