

► **Code Number**

3365229

► **Description**

Sensor Activated Electronic Hand Washing Faucet for tempered or hot/cold water operation.

► **Specifications**

Splash-proof Circuit Control Module

Vandal Resistant Spray Head with Pressure Compensating Flow Control

ADA Compliant, Sensor Activated, 24 VAC, Chrome Plated Brass, Hand Washing Faucet with the following features:

Sensor Range Adjustment Screw

Troubleshooting LED Indicator Lights

User Friendly Variable Time Out Settings

Filtered Solenoid Valve with serviceable Strainer Filter

Metal Jacketed Wire Protection for Sensor and Solenoid Leads

Modular Quick-Release Sensor and Solenoid Connections

► **Variations**

4" Trim Plate

► **Accessories (Sold Separately)**

See OPTIMA Accessories Section of the Sloan Catalog for a Complete listing of OPTIMA Faucet Accessories and Variations.

► **Sensor Range**

Adjustable: 1" - 8" (25 mm — 203 mm) — Adjustability dependent upon depth and reflectivity of basin.

Factory Set: 4" - 5" (102 mm - 127 mm)

► **Time Out Adjustment Settings**

3, 6, 12, 30 & 45 seconds

► **Maximum Distance Control Module may be Installed from Spout**

With Standard Cable: 12" (305 mm)

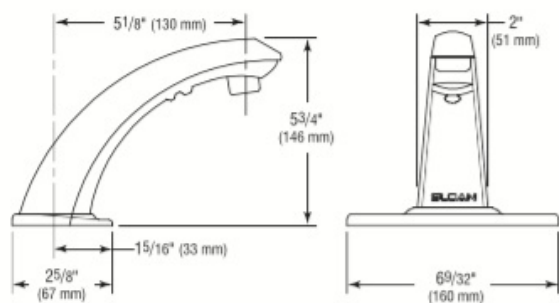
► **Control Circuit**

24 VAC Input/Output, 50/60 Hz, Adjustable Range & Time Out Settings, Modular Plugs & Troubleshooting LED Indicators

► **Solenoid Valve**

24 VAC, 50/60Hz with Integral Strainer Filter & 3/8" Compression Connection Inlet/Outlet.

► **OPERATION**



► **Automatic Operation**

The Sloan OPTIMA® ETF-80 Electronic Hand Washing Faucet operates by means of an infrared sensor. Once the user enters the sensor's effective range, the Solenoid activates the water flow. Tempered water flows from the Faucet until hands are moved away. The Faucet then automatically shuts off.

► **Hygienic**

The ultimate in sanitary protection — there are no handles to turn or buttons to push. Helps to control the spread of infectious diseases.

► **Economical**

Automatic operation provides energy savings. Reduces maintenance and operating costs. Designed for quick and easy installation.

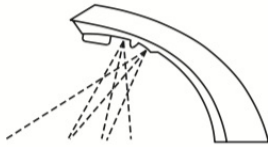
► **Compliance & Certifications**



ASME A112.18.1 and CSA B125.1



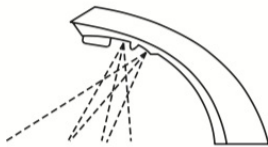
This space for Architect/Engineer Approval



1. A continuous, invisible light beam is emitted from the OPTIMA® Sensor located on the throat of the lavatory faucet.



2. As the user's hands enter the beam's effective range, the beam is reflected back into the Sensor Receiver and activates the solenoid valve allowing tempered water to flow from the faucet. Water will flow until the hands are removed or until the faucet reaches its automatic time out limit setting.



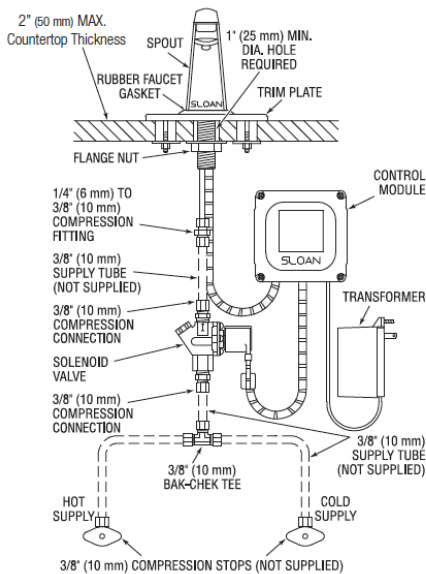
3. When hands are moved away from the OPTIMA® Sensor, the loss of reflected light initiates an electrical signal that deactivates the Solenoid Valve shutting off the water flow. The Circuit then automatically resets and is ready for the next user.

► ROUGH-IN

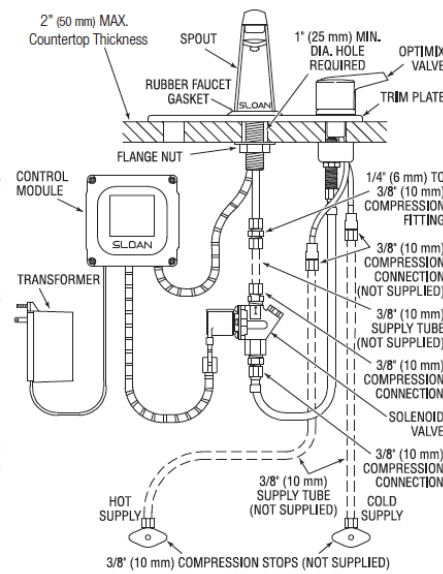
ETF-80 Faucet with Bak-Chek® Tee for Hot and Cold Water Supply (shown with 4" trim plate)

ETF-80 Faucet with ADM Variation Mixing Valve for Hot and Cold Water Supply (shown with 8" trim plate)

ETF-80 Faucet with Bak-Chek® Tee for Hot and Cold Water Supply (shown with 4" trim plate)



ETF-80 Faucet with ADM Variation Mixing Valve for Hot and Cold Water Supply (shown with 8" trim plate)



ETF-80 Faucet with BDM and BDT Variation Mixing Valves for Hot and Cold Water Supply (shown with 4" trim plate)

