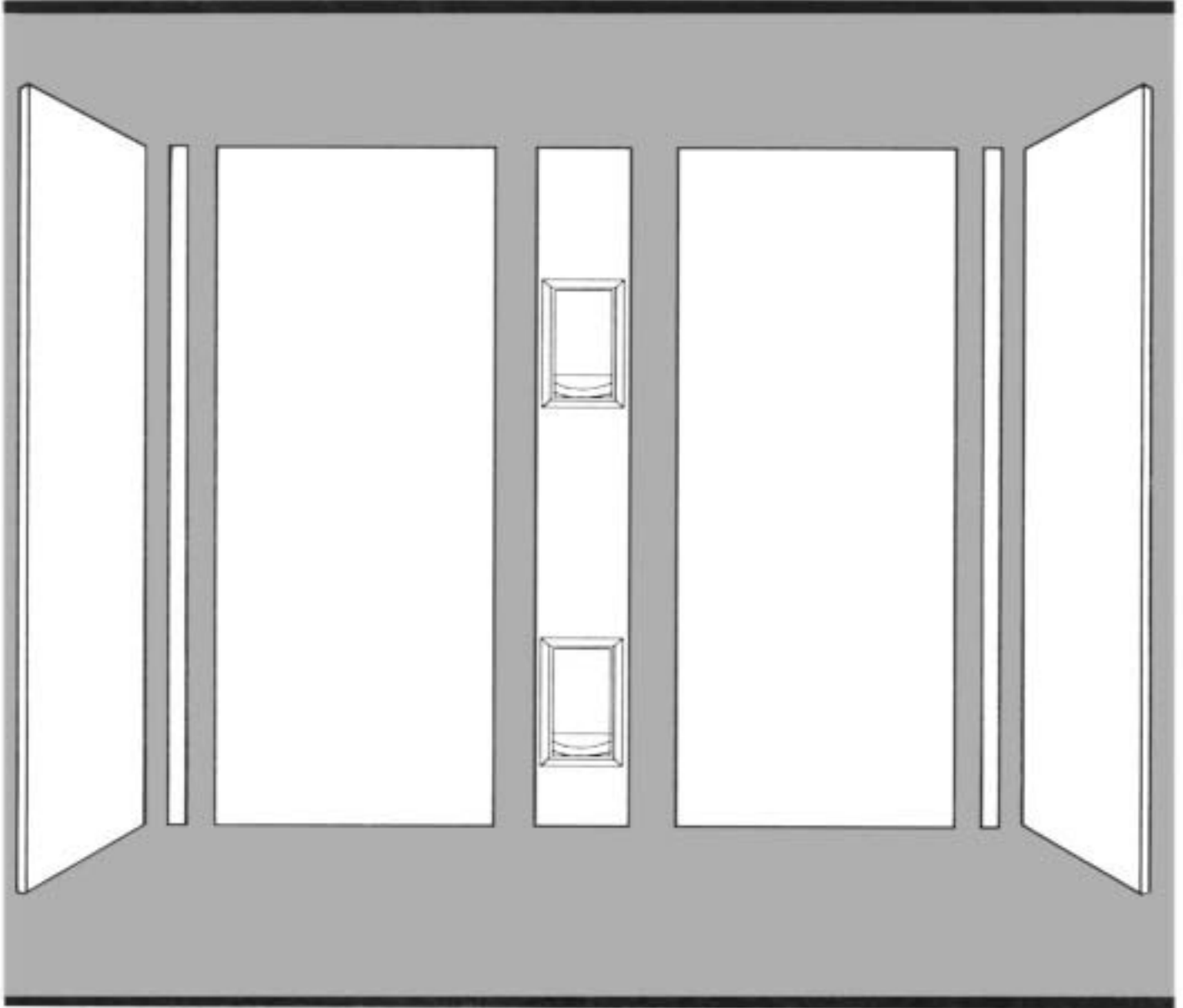


SWANSTONE
Your Strongest Choice.



BATHTUB WALL PANELS



Model No. SS-60

Owner's Manual



Patent Pending

Installation Care and Cleaning

CAUTION:
Read *ALL* instructions carefully
BEFORE starting your installation.

Save this manual for future reference

SWANSTONE
Your Strongest Choice.



BATHTUB WALL PANELS

Step-By-Step Installation Instructions

Model SS-60 Designed To Fit 30" x 60" Bathtub

INCLUDED IN CARTON:

- A Four flat panels
- B One center panel with two molded-in soap and shampoo shelves
- C Two corner moldings
- D One foam spacer
- E One tube color coordinated caulk
- F Three tubes of adhesive

TOOLS REQUIRED TO INSTALL

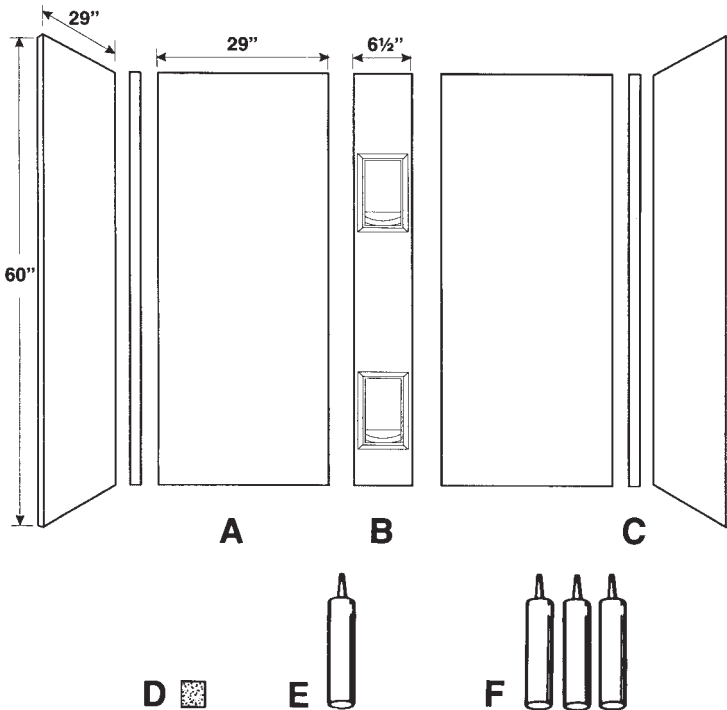
The only tools needed are a saber saw or drill, ruler, caulking gun, and whatever tools are needed to remove faucet handles.

Panels mount to the wall with supplied adhesive. Panels come with factory applied pressure sensitive tape affixed permanently to the outside edges on the back sides.

DO NOT NAIL PANELS TO SUBWALLS

Measure the length of the back wall. If it measures more than 61", you cannot use this unit. Likewise, if your bathing unit is more than 29" deep this unit will sit back from the front edge of tub.

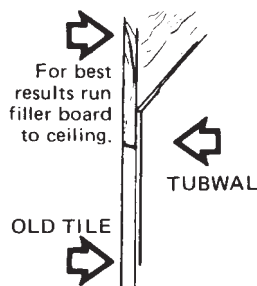
BE SURE TO READ THE ENTIRE INSTALLATION SHEET BEFORE STARTING



FILLER BOARD

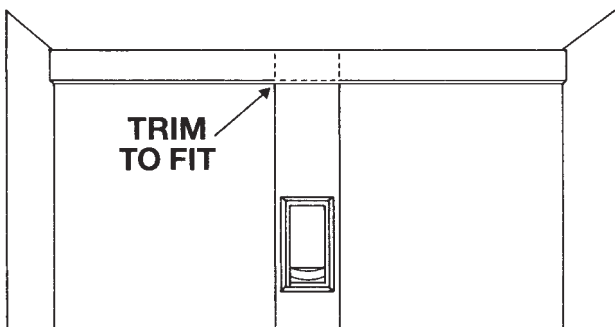
Measure the height of your tile from the tub ledge up; if tile is less than 59-5/8" then you must install a filler board. The filler board must equal the same thickness of the missing tile. Usually 1/8" masonite or similar material is adequate.

For best results, run your filler board from the tile ledge to the ceiling.



IMPORTANT

If you are installing a TK-60 bathtub wall panel trim kit over the Swanstone SS-60 bathtub wall panel unit, trimming of the center soap dish panel will be required. You must follow the procedures as directed in the Swanstone trim kit installation procedure.



INSTALLATION PROCEDURE

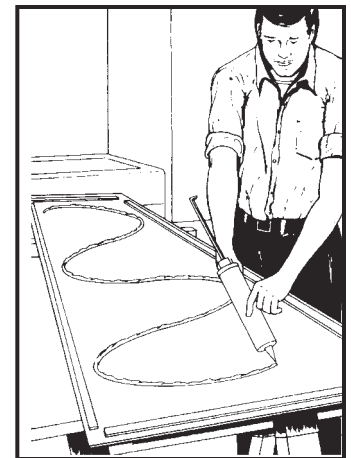
Allow panels to adjust to room temperature (65° to 90°) for at least 6 hours.

Next, turn off hot and cold water supply, remove faucet handles, escutcheons, filler spouts and any fittings mounted to wall to be covered including towel bars, soap dishes, etc.

Use hammer and chisel to remove objects cemented to walls. Old ceramic tiles if adhered solidly to walls may be covered with this kit and need not be removed.

Loose ceramic tiles must be removed (sand sub walls smooth).

Front edge ceramic tiles may be reset for appearance only. Remove soap film and all dirt from wall surface using detergent. Wipe dry; wall surface must be dry before panels can be applied.



1. BACK WALL

Select any one of the four flat panels for positioning on either the right or left side of the back wall. Apply a 1/8" bead of adhesive to the back of the panel, keeping the adhesive at least one inch from the tape and panel edges.

TRIAL FIT BEFORE YOU START

WALL SURFACE PREPARATION RECOMMENDATIONS FOR SWANSTONE TUBWAL AND SHOWERWAL UNITS

When installing over SHEETROCK/GREENBOARD/WOOD:

- A) Surface must be dry, smooth and free of any dust, soap scum or any other contaminants. Wipe wall surface with a damp cloth.
- B) For maximum adhesion, the area where the double-faced tape adheres to the wall surface should be sealed with a primer (Bin-Seal or all purpose enamel paint).
- C) After primer/sealer is completely dry, complete the installation following the installation instruction sheet.

When installing over PLASTER:

- A) Surface must be dry, smooth and free of any dust, soap scum or any other contaminants. Wipe wall surface with a damp cloth.
- B) The area where the double-faced tape adheres to the wall surface (textured/swirl finish must be sanded smooth) should be sealed with a primer (Bin-Seal or all purpose enamel paint).
- C) After primer/sealer is completely dry, complete the installation following the installation instruction sheet.

When installing over CEMENT/CONCRETE:

- A) Surface must be dry, smooth and free of any dust, soap scum or any other contaminants. Wipe wall surface with a damp cloth.
- B) The complete area should be sealed with two coats of primer (Bin-Seal or all purpose enamel paint).
- C) After primer/sealer is completely dry, complete the installation following the installation instruction sheet.

When installing over OLD TILE:

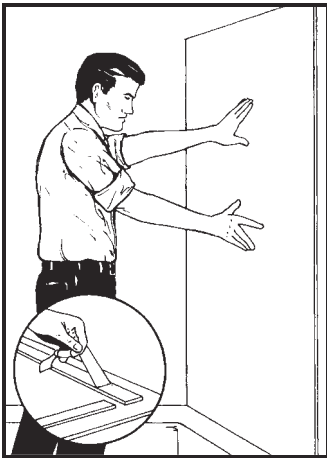
- A) Surface must be dry, smooth and free of any dust, soap scum or any other contaminants. Wipe wall surface with a damp cloth.
NOTE: CERAMIC: LOOSE TILE MUST BE REMOVED.
PLASTIC: ALL TILE MUST BE REMOVED.
- B) Complete the installation following the installation instruction sheet.

When installing over WALLPAPER:

- A) All wallpaper must be removed from the area to be covered by unit. Surface must be dry, smooth and free of any dust, soap scum or any other contaminants. Wipe wall surface with a damp cloth.
- B) For maximum adhesion, the complete wall surface area to be covered by unit should be sealed with two coats of primer (Bin-Seal or all purpose enamel paint).
- C) After primer/sealer is completely dry, complete the installation following the installation instruction sheet.

When installing over MASONITE:

- A) Surface must be dry, smooth and free of any dust, soap scum or any other contaminants. Wipe wall surface with a damp cloth.
- B) Complete the installation following the installation instruction sheet.

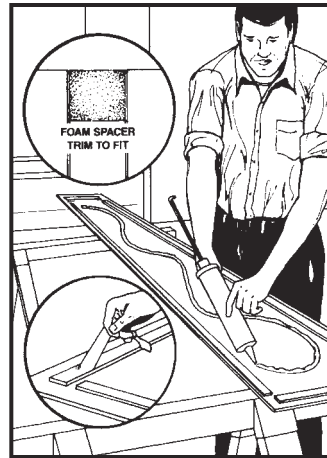


2. Remove backing from factory applied pressure sensitive tape. Grasp flat panel by the edges, carefully position in the corner. Press firmly to wall. Move hand pressure up and down and side to side, making sure all areas make firm contact to the wall. Repeat for other panel installation.



3. IF TRIMMING IS REQUIRED

If exposed back wall area for second panel installation is less than 299, trimming of the second wall panel will be required. Transfer measurements of exposed back wall onto second panel so that you may trim the panel on the side opposite that which will go into the corner. It is not necessary for the center seam to butt as it will be covered with the center panel. Cut panel from back side with saber saw. Lightly sand edge with fine or medium sandpaper. This will remove any rough edges.



IMPORTANT

If you are installing a TK-60 bathtub wall panel trim kit, it will be necessary to trim the center soap dish panel. Refer to step #3 of the Swanstone trim kit installation procedure.

4. CENTER PANEL

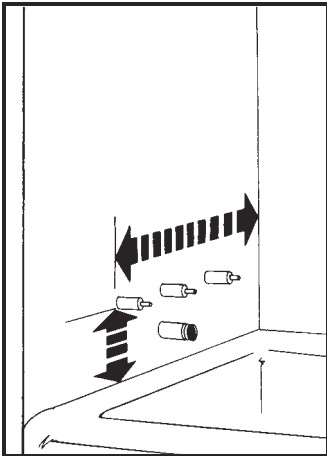
If a gap exists between the two back flat wall panels, locate the foam spacer 1/4" from the upper edge of the right and left panels. Foam spacer may be trimmed to fit. This spacer will aid in the caulking application to follow.



Apply 1/8" bead of adhesive to the back of the center panel, keeping the adhesive at least one inch from the tape and panel edges. Remove backing from factory applied pressure sensitive tape.

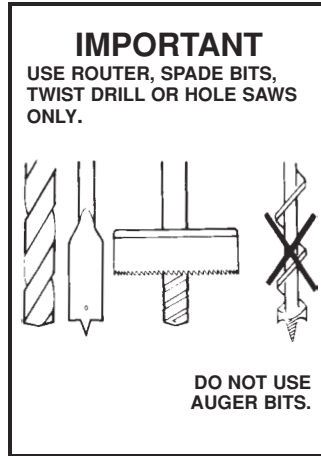
5. Carefully center panel. Firmly press the panel from top to bottom, making sure of a solid contact.

SWANSTONE
Your Strongest Choice.

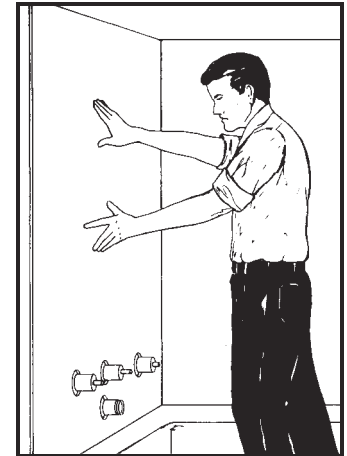


6. SIDE WALLS

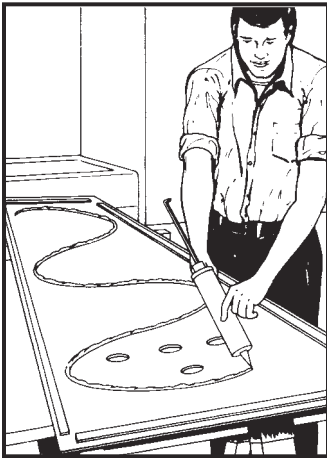
If the end of the tub has settled or the walls are out of plumb, it may be necessary to cut the bottom edge of a panel(s) to achieve a good fit across the top. Measure location of plumbing outlets from back wall forward and from the top ledge of the tub upward. Then mark the position onto side panel.



7. Cut holes 1/2" larger than the diameter of the pipes. Drill from the finished side of the panel. For best results place a scrap of wood beneath the hole to be cut, this will give you a clean cut opening.



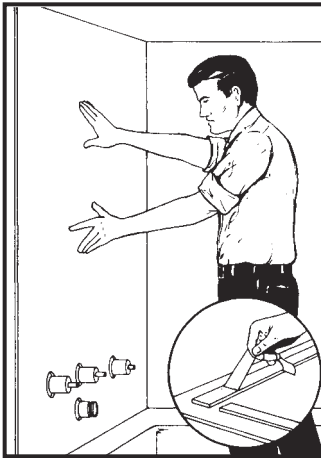
8. Trial fit each panel before proceeding. For an attractive installation it is important that the top edges properly align.



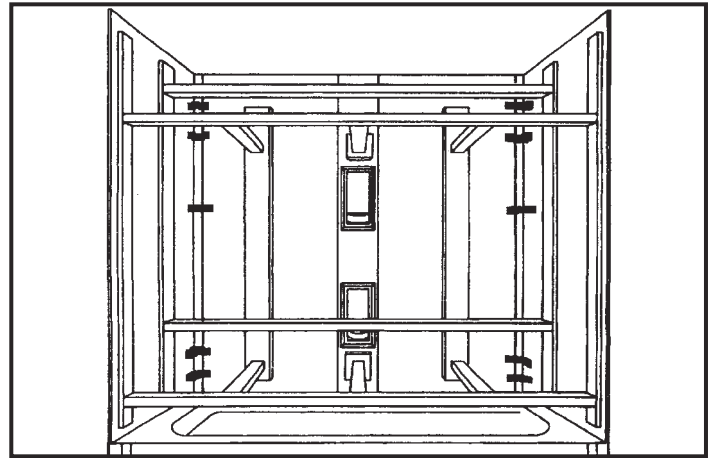
9. Apply a 1/8" bead of adhesive to the back of the panel, keeping the adhesive at least one inch from the tape and panel edges.

CAULKING

Following instructions on the caulking tube...apply a bead of caulk along the bottom and top edge of the back and side walls. Also make caulk applications to all vertical seams and edges.



10. Remove the backing from the factory applied pressure sensitive tape. Grasp flat panel by the edge, carefully position into the corner. Press firmly to wall. Move hand pressure up and down and side to side, making sure all areas make firm contact to the wall. Repeat for application of other panel to remaining side wall.



11. Locate the placement of the corner moldings and measure the vertical area of the corner seam. Trim corner moldings to desired length and trial fit. Apply a 3/16" bead of adhesive (included in kit) along the corner seam where the corner molding is to be placed. Press corner molding firmly into position. Immediately remove any excess adhesive with a damp cloth. Temporarily secure corner molding to the wall with masking tape. Allow adhesive to cure overnight.

NOTE

To promote contact until adhesive sets, use temporary bracing and allow adhesive to cure overnight. Temporary bracing may be constructed and wedged into position as illustrated by using lengths of 1 x 2s, 2 x 2s, 1 x 3s. Lumber should be cut as needed.

**POSITIVELY
NO HAMMERING OR NAILING
IS TO BE DONE**

CLEANING

Clean your Swanstone bathtub panels as you would any other fine bath fixture, using normal household detergents and cleansers. Just wiping the wall surfaces quickly removes watermarks and residues. Occasional scrubbing with household abrasive cleansers ensures that the original luster is maintained, similar to tile and other permanent type bath fixture materials.

REPAIRING

Use 400 grit sandpaper to remove scratches and gouges in the surface. A "Scotchbright pad" can be used to blend in the area.



Patent Pending

FORM #252-1-94-5M