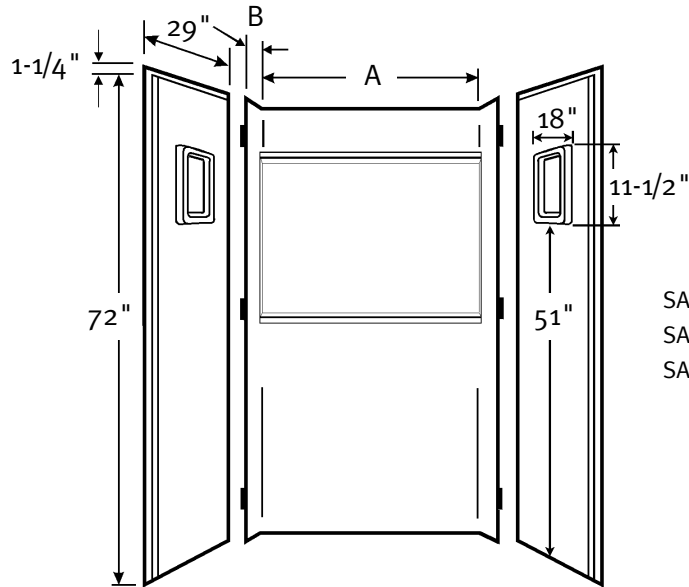


WARRANTY
Limited Lifetime – Residential
Limited 5-year – Commercial

Manufactured from Veritek®
(see page 2 for detailed information)

FEATURES

- Nails directly to studs for fast installation
- Sturdy interlocking system for one-piece appearance
- Panels easily fit through existing doorways and can be installed by one person
- Made of Veritek composite material with no surface coating to chip or crack
- The SA Series is a 3-piece compression molded material with molded-in color and a natural gloss surface



Back Panel Dimensions

SA-3232	A 32"	B 3"
SA-3636	A 36"	B 7"
SA-3448	A 48"	B 5"

SPECIFICATIONS

Veritek® Shower Alcove Walls

Model	Part	Wall Area Designed To Fit	Ship Wt. Lb.	Ship UPS	Carton Dims. In.	Cu. Ft.
SA-3232	SA03232	32" D x 32" W x 72" H* (813 mm x 813 mm x 1829 mm)	66	-	76 x 35 x 10	15.97
Fits shower floor size 32" D x 32" W x 4" H (813 mm x 813 mm x 102 mm)						
SA-3636	SA03636	36" D x 36" W x 72" H* (914 mm x 914 mm x 1829 mm)	84	-	80 x 40 x 10	20.37
Fits shower floor size 36" D x 36" W x 4" H (914 mm x 914 mm x 102 mm)						
SA-3448	SA03448	34" D x 48" W x 72" H* (864 mm x 1219 mm x 1829 mm)	106	-	76 x 52 x 10	23.39
Fits shower floor size 34" D x 48" W x 4" H (864 mm x 1219 mm x 102 mm)						

*1-1/2" additional area required on outer edges of wall panels to accommodate nail-up flange.

STANDARDS AND RATINGS

Class B fire rating
American Society for Testing and Materials
National Electrical Manufacturers Association

SUPPORT DOCUMENTS

Installation instructions available on line at www.swanstone.com

 **MADE IN USA.**

COLORS

(See inside back cover for color sample.)

- White (010)
- Bone (037)
- Bisque (018)
- Bermuda Sand (040)
- Gray Granite (042)
- Tahiti Desert (050)

Each Kit Includes: One right side panel, one left side panel, one back panel with six factory installed wall mounting clips, and complete installation instructions.

Packaging: Each kit is packed in a flat, rectangular carton.

MAINTENANCE AND CLEANING INFORMATION

Wash regularly with non-abrasive, liquid cleaners, a sponge, soft cloth or Mr. Clean Magic Eraser. For hard water stains or mineral build-up, scale removers such as Lime Away, Rust-out or Whink can be used. To protect the finish, fiberglass wax or automotive paste wax can be applied. **Do not** use abrasive cleaners or pads.

Do not use "leave on" cleaning products such as the Automatic Shower Cleaner. Prolonged contact with harsh chemicals could have an adverse reactive over time and discolor your surfaces. **Do not** use cleaning agents that caution use on acrylic, polyester or plastics.