

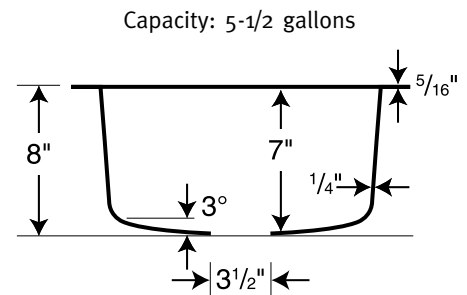
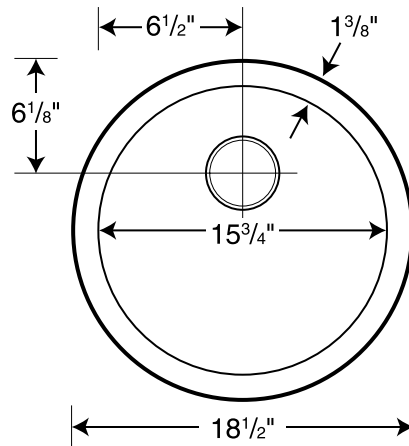
**WARRANTY**  
Limited Lifetime – Residential  
Limited 10-year – Commercial

**Manufactured from Swanstone solid surface**  
(see page 2 for detailed information)

*Recommended for high use traffic areas and commercial surfaces*

**FEATURES**

- Ideal as a vegetable prep sink in kitchen island
- Also makes a high-capacity entertainment sink
- Renewable surface will not wear away
- Hot pots and boiling water will not harm it
- Highest resistance of impact from heavy objects
- Easily accommodates all faucet styles
- Heat, stain and scratch resistant for lasting beauty
- Matching or contrasting countertops available. Contact a Swanstone representative for more information.



**SPECIFICATIONS**

**KSRB-18 Round Bowl**

Model	Part	Dimensions	Ship Wt. Lb.	Ship UPS	Carton Dims. In.	Cu. Ft.
KSRB-18	KS00018RB	18-1/2" Diameter (470 mm)	18	UPS	22 x 21 x 10	2.68

**COLORS**

(See inside back cover for color sample.)

- White (010)
- Bone (037)
- Bisque (018)
- Almond Galaxy (046)
- Arctic Granite (035)
- Barley (091)
- Bermuda Sand (040)
- Gray Granite (042)
- Green Pasture (095)
- Sierra (094)
- Tahiti Blue (056)
- Tahiti Desert (050)
- Tahiti Evergreen (057)
- Tahiti Gray (053)
- Tahiti Ivory (059)
- Tahiti Matrix (058)
- Tahiti Rose (052)
- Tahiti Sand (051)
- Tahiti Terra (055)
- Tahiti White (011)
- Cornflower (063)
- Ironweed (061)
- Night Sky (012)
- Purple Sage (064)
- Wild Indigo (022)
- Winter Wheat (060)
- Indian Grass (071)
- Black Galaxy (015)
- Pebble (072)
- Seafoam (074)
- Glacier (121)
- Prairie (122)
- Acorn (123)
- Canyon (124)
- Baby's Breath (168)
- Caraway Seed (169)

**STANDARDS AND RATINGS**

- Class 1A fire rating
- American National Standard Institute—ANSI Z124.6
- International Association of Plumbing and Mechanical Officials (IAPMO)—listed
- cUPC listed—Certified to CSA Standard B45 by IAPMO
- National Sanitation Foundation-NSF Splash Zone, -NSF Food Zone
- American Society for Testing and Materials
- National Electrical Manufacturers Association

For a complete list of tests and results see the Technical Data Sheet – page 131.

**SUPPORT DOCUMENTS**

Installation instructions available on line at [www.swanstone.com](http://www.swanstone.com)

 **MADE IN USA.**

**MAINTENANCE AND CLEANING INFORMATION**

Clean your Swanstone sink by using abrasive cleaners such as Comet, Ajax, Bon Ami, Soft Scrub, etc. Use of a Scotch-Brite pad, nylon scrub pad, or Mr. Clean Magic Eraser is also recommended. Food based stains can be removed using a 50/50 bleach and water solution and soaking for 15 minutes. For rust or other mineral based stains, products such as Rust-Out or Whink are acceptable. To restore luster and extend time between cleanings, Weiman's Granite Polish is recommended. **Do not** use SOS, Brillo or other metal scouring pads.