

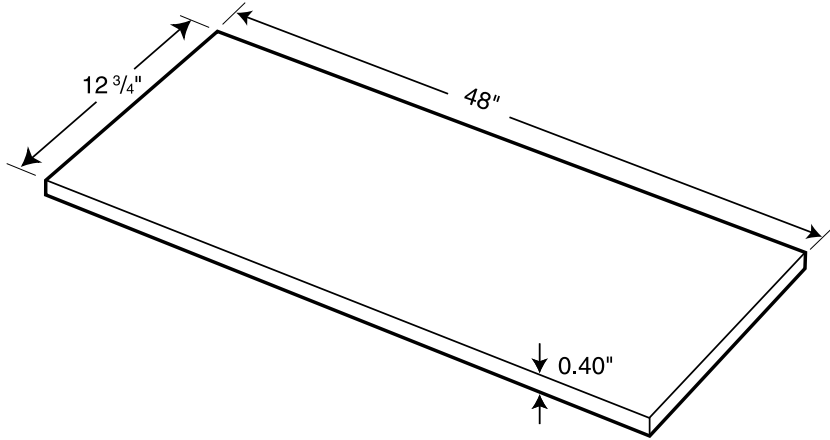
Manufactured from Swanstone solid surface
(see page 2 for detailed information)

Recommended for high use traffic areas and commercial surfaces

WARRANTY
Limited Lifetime – Residential
Limited 25-year – Commercial

FEATURES

- Finished edges on both sides for installing either right or left side
- 48-inch width fits a variety of shower sizes
- Seat is two times thicker than wall panels
- Includes bench seat top only
- Reinforced solid surface means color and texture run all the way through and cannot wear away
- Will not mold or mildew, no grout to clean
- Compression molding means superior durability



SPECIFICATIONS

SB-1248 Shower Bench Seat Top

Model	Part	Dimensions	Ship Wt. Lb.	Ship UPS	Carton Dims. In.	Cu. Ft.
SB-1248	SB01248	12 3/4" x 48" (324 mm x 1219 mm)	16	UPS	51 x 14 x 1.5	.65

Kit Includes: One 12" x 48" shower bench seat
Packaging: Each kit is packed in an individual carton.

STANDARDS AND RATINGS

Class 1A fire rating
National Sanitation Foundation-NSF Splash Zone, -NSF Food Zone
American Society for Testing and Materials
National Electrical Manufacturers Association

For a complete list of tests and results see the Technical Data Sheet – page 131.

SUPPORT DOCUMENTS

Installation instructions available on line at www.swanstone.com

 **MADE IN USA.**

COLORS

(See inside back cover for color sample.)

- White (010)
- Bone (037)
- Bisque (018)
- Almond Galaxy (046)
- Arctic Granite (035)
- Barley (091)
- Bermuda Sand (040)
- Gray Granite (042)
- Green Pasture (095)
- Sierra (094)
- Tahiti Blue (056)
- Tahiti Desert (050)
- Tahiti Evergreen (057)
- Tahiti Gray (053)
- Tahiti Ivory (059)
- Tahiti Matrix (058)
- Tahiti Rose (052)
- Tahiti Sand (051)
- Tahiti Terra (055)
- Tahiti White (011)
- Cornflower (063)
- Ironweed (061)
- Night Sky (012)
- Purple Sage (064)
- Wild Indigo (022)
- Winter Wheat (060)
- Indian Grass (071)
- Pebble (072)
- Seafoam (074)
- Glacier (121)
- Prairie (122)
- Acorn (123)
- Canyon (124)
- Cloud White (125)
- Cloud Bone (126)
- Baby's Breath (168)
- Caraway Seed (169)

MAINTENANCE AND CLEANING INFORMATION

Abrasive cleansers are safe for Swanstone walls but are not recommended if used in conjunction with a Swanstone or Veritek shower base or bathtub which is designed with high sheen areas to prevent soap scum build-up. Prolonged scrubbing of Swanstone walls with these products could dull the surface of the Swanstone or Veritek base and promote the build-up of soap scum. **Do not** use "leave on" cleaning products such as the Automatic Shower Cleaner. Prolonged contact with harsh chemicals could have an adverse reactive over time and discolor your surfaces. **Do not** use cleaning agents that caution use on acrylic, polyester or plastics.